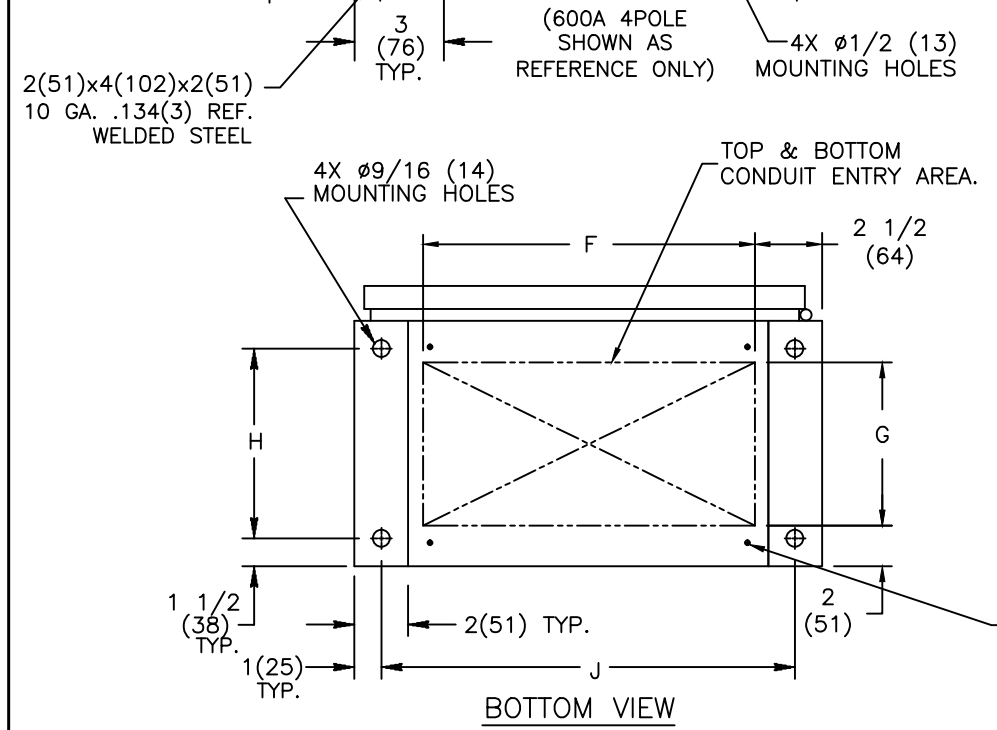
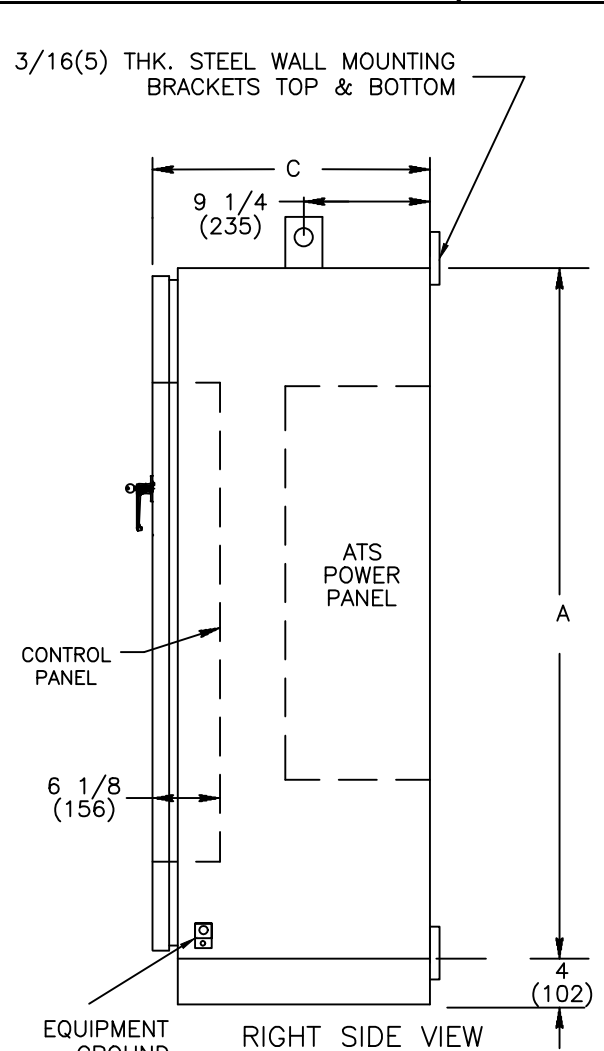
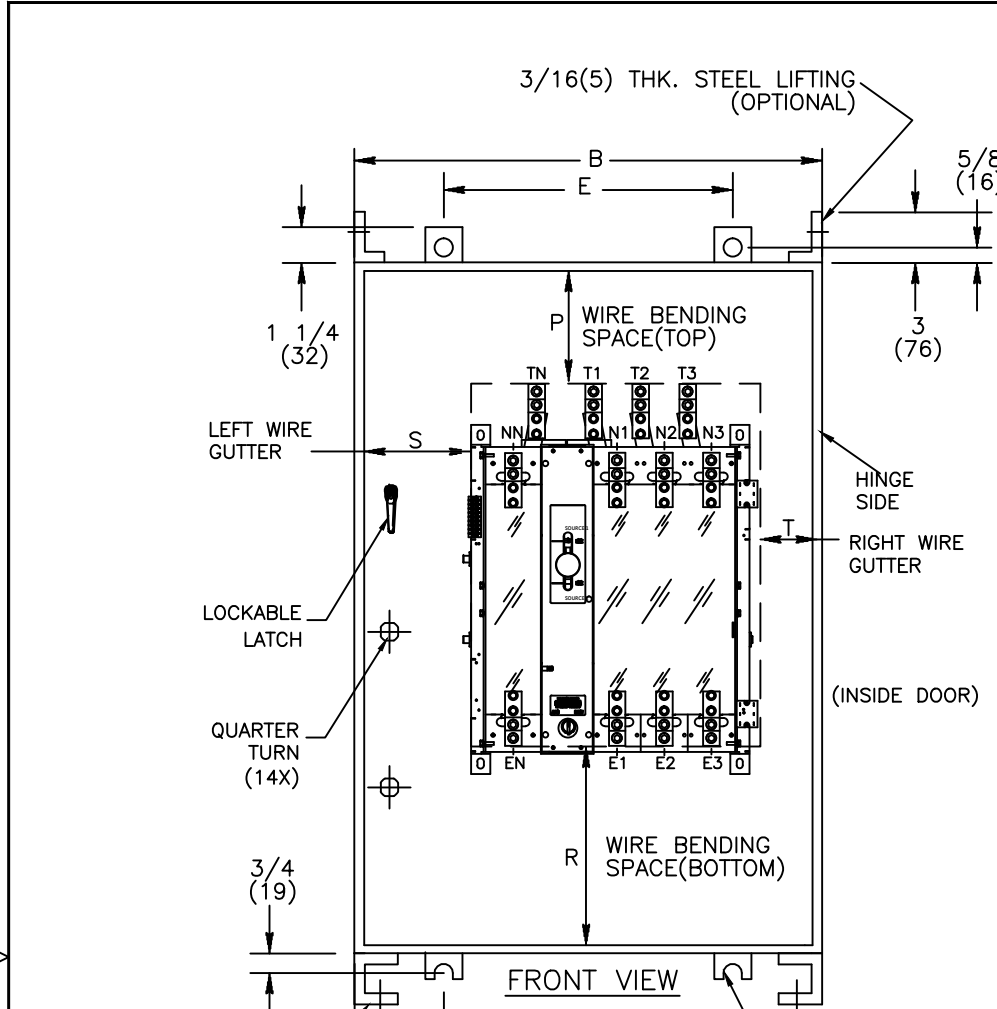


REVISIONS			
REV.	DESCRIPTION	DATE	APPROVED
1	C031728 REVISED DRAWING	08/25/17	YP MAS



MODEL	AMPERAGE	NO. POLES	NEMA CABINET	LUG RANGE	WIRE BENDING SPACE		WIRE GUTTERS	
					P(TOP)	R(BOTTOM)	S(LEFT)	T(RIGHT)
ZTS ZTSD ZTSCT	600	2,3	8600050014P	(QTY 2) #2-600 MCM (33-304mm ²)	18 1/2 (470)	18 (457)	19 3/8 (492)	1 1/8 (29)
		4					13 (330)	
	800	2,3		(QTY 4) #2-600 MCM (33-304mm ²)			17 1/8 (435)	
		4					10 3/4 (273)	

NOTES:

- MATERIAL: UNLESS OTHERWISE NOTED.
A. 12 GA. (.104) REF. 1018 HRS (8600050014P).
- FINISH: ANSI 61 GRAY
- ALL DIMENSIONS ARE FOR REFERENCE ONLY. SHOWN IN INCHES (MILLIMETER)
- CONSTRUCTION PER UL 1008 STANDARD.
- SWITCH SUPPLIED WITH STANDARD MECHANICAL LUG, RATED FOR AL&CU CABLES.
- SWITCH IS DESIGNED FOR BOTH TOP AND BOTTOM CABLE ENTRY WITH STANDARD SWITCH CONFIGURATION IS, LOAD AND NORMAL LUGS ON TOP AND EMERGENCY LUGS AT BOTTOM.
- 100% RATED SOLID/SWITCH NEUTRAL PROVIDED PER THE SWITCH CONFIGURATION.
- FOR SEISMIC MOUNTING, REFER TO SHEET NO.2
- REFER LUG TORQUE LABEL FOR TORQUE INFORMATION.

CABINET DIMENSIONS								
CABINET	A	B	C	E	F	G	H	J
8600050014P	70 (1778)	40 (1016)	19 3/4 (502)	34 (864)	35 (889)	11 (279)	15 1/2 (394)	38 (965)

SIGNATURES	DATE
MODEL EC	08/25/17
DETAIL	
CHECKED	
ENGRG	
MFG	
QUALITY	
ISSUED	
DRAWING FILE: 50c-1038-1.dwg	SIZE B
MODEL / ASSEMBLY FILE: ZTS(D/CT) (600-800 AMP)	DWG NO 50C-1038
# CTQs	SCALE: N/A

GE Zenith Controls

TITLE: 600-800A ATS LAYOUT
NEMA 3R,4 & 12 ENCLOSURE

FIRST MADE FOR: ZTS(D/CT) (600-800 AMP)

SHEET 1 OF 2

THIRD ANGLE PROJECTION

GE PROPRIETARY AND CONFIDENTIAL INFORMATION

This document is the property of General Electric Company ("GE") and contains proprietary information of GE. This document is loaned on the express condition that neither it nor the information contained therein shall be disclosed to others without the express written consent of GE Industrial Systems, and that the information shall be used by the recipient only as approved expressly by GE Industrial Systems. This document shall be returned to GE upon its request. This document may be subject to certain restrictions under U.S. export control laws and regulations.

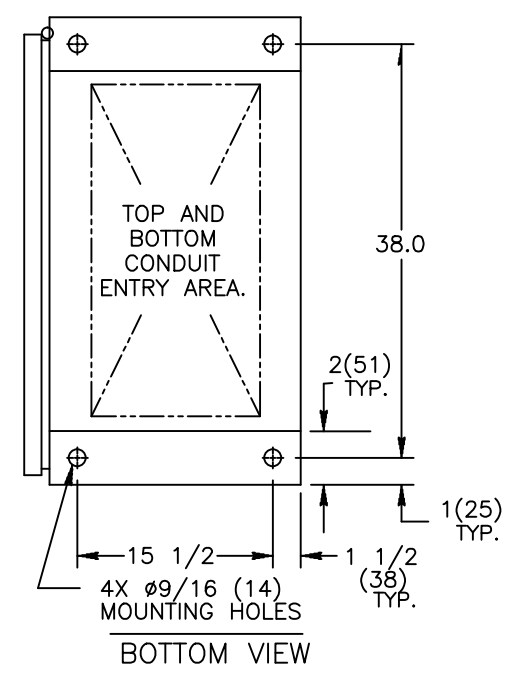
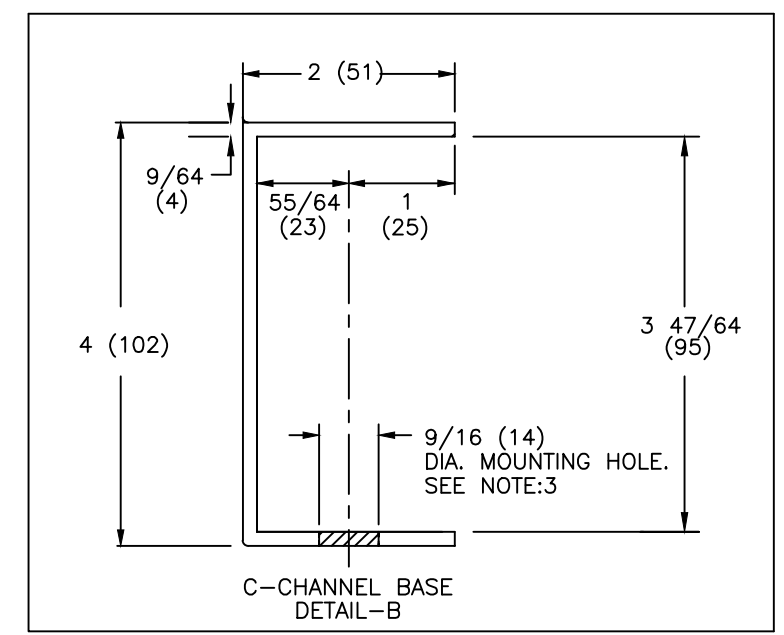
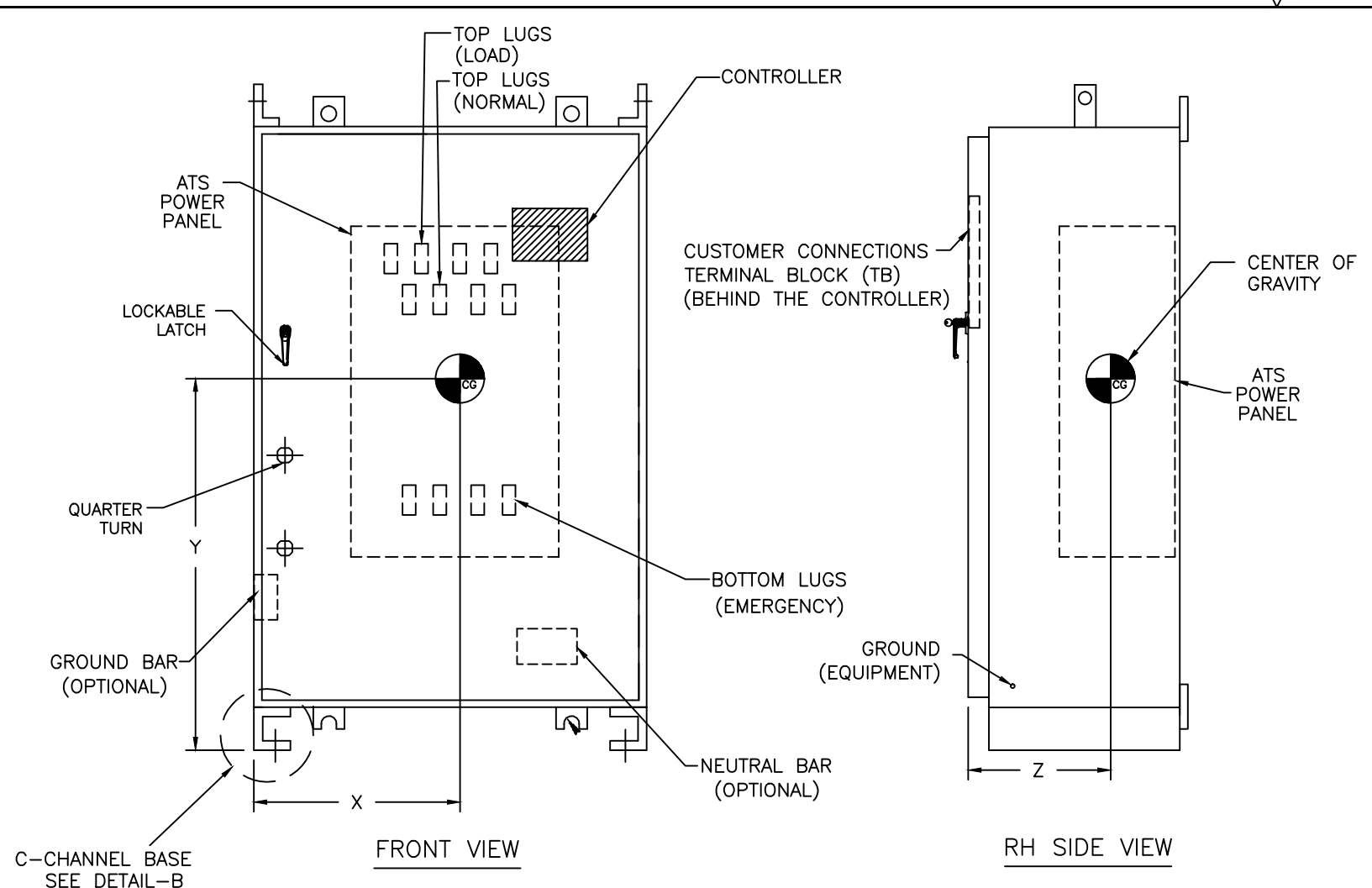
AutoCad Generated



REVISIONS			
REV.	DESCRIPTION	DATE	APPROVED
1	C031728 REVISED DRAWING	08/25/17	YP MAS

NOTES:

- ALL DIMENSIONS ARE FOR REFERENCE ONLY AND SHOWN IN INCHES (MILLIMETERS).
- BOLT ENCLOSURE FROM C-CHANNEL BASE (SEE DETAIL B) USING THE FOLLOWING SEISMIC CERTIFIED MOUNTING HARDWARE PER MOUNTING HOLE:
 * 1/2-13 GRADE 5 BOLT TORQUE TO 70 FT-LBS. (95 NEWTON METERS).
 * 1/2-13 STANDARD FLAT WASHER
 * 1/2 (13) HELICAL SPRING LOCK WASHER.
- CENTER OF GRAVITY DIMENSIONS ARE FOR REFERENCE ONLY.
- FOR WORKING CLEARANCE REFER TO NATIONAL AND LOCAL CODES AND STANDARDS.



UNIT WEIGHT WITH NEMA-3R,4,12 CABINET:

AMP	POLE	WEIGHT	CENTER OF GRAVITY in(mm)		
		LB(kg)	X	Y	Z
600	3	450(205)	23.5	34.0	11.5
	4	480(218)	(557)	(864)	(292)
800	3	500(227)	22.0	35.0	12.0
	4	550(249)	(559)	(889)	(305)

SIGNATURES	DATE
MODEL EC	11/01/00
DETAIL	
CHECKED	
ENGRG	
MFG	
QUALITY	
ISSUED	

GE Zenith Controls

TITLE: SEISMIC MOUNTING DETAILS NEMA 3R, 4, 12 CABINET

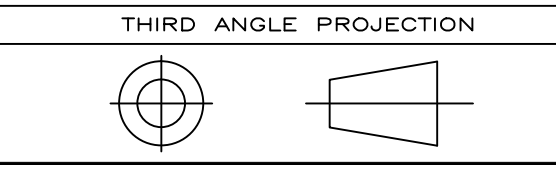
FIRST MADE FOR: ZTS(D/CT) (600-800 AMP)

DRAWING FILE: 50C-1038-1.dwg
 MODEL / ASSEMBLY FILE: ZTS(D/CT) (600-800 AMP)

SIZE: B
 CAGE CODE: DWG NO: 50C-1038

CTQs: CRITICAL TO QUALITY CHARACTERISTIC

SCALE: N/A SHEET 2 OF 2



GE PROPRIETARY AND CONFIDENTIAL INFORMATION

This document is the property of General Electric Company ("GE") and contains proprietary information of GE. This document is loaned on the express condition that neither it nor the information contained therein shall be disclosed to others without the express written consent of GE Industrial Systems, and that the information shall be used by the recipient only as approved expressly by GE Industrial Systems. This document shall be returned to GE upon its request. This document may be subject to certain restrictions under U.S. export control laws and regulations.

AutoCad Generated

