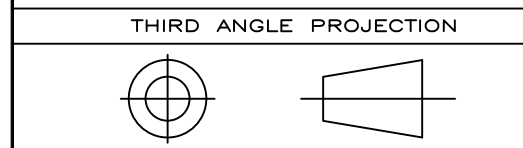
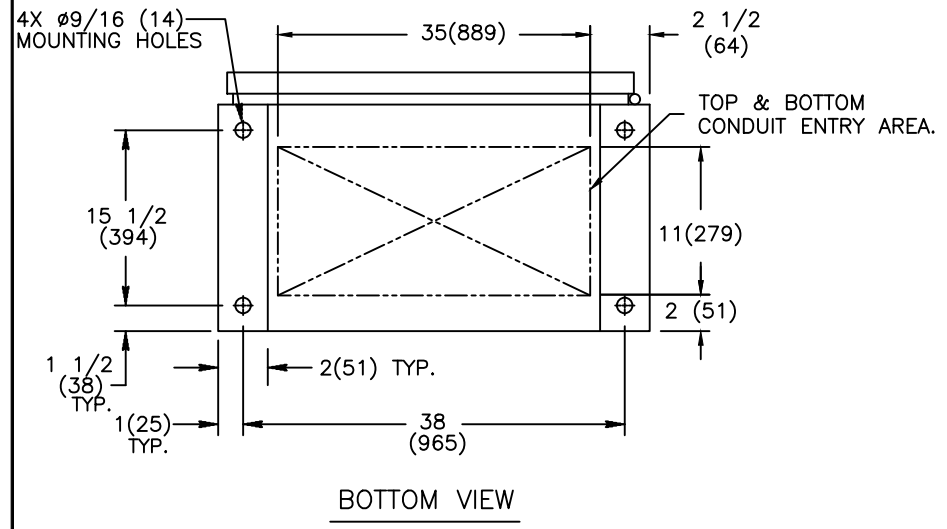


REVISIONS			
REV.	DESCRIPTION	DATE	APPROVED
1	C075076 UPDATED REBRANDING	08/28/19	AR MAS

MODEL	AMPERAGE	NO. POLES	NEMA CABINET	LUG RANGE	WIRE BENDING SPACE		WIRE GUTTERS	
					P(TOP)	R(BOTTOM)	S(LEFT)	T(RIGHT)
ZTG(D)	1000-1200	2,3	F-1852MP	(QTY 4) #2-600 MCM (33-304mm <sup>2</sup> )	18 11/16 (475)	18 5/8 (473)	17 1/4 (438)	1 1/8 (29)
		4					11 1/2 (292)	

- NOTES:
1. MATERIAL: 12 GA. 1018 HRS .104 (3) REF. (F-1852MP)
  2. FINISH: ANSI 61 GREY
  3. ALL DIMENSIONS ARE FOR REFERENCE ONLY AND SHOWN IN INCHES(MILLIMETERS).
  4. CONSTRUCTION PER UL 1008
  5. FOR SEISMIC MOUNTING, REFER TO SHEET NO.2



**ABB PROPRIETARY AND CONFIDENTIAL INFORMATION**  
 The information contained in the document has to be kept strictly confidential.  
 Any unauthorized use, reproduction, distribution or disclosure to third parties is strictly forbidden.  
 ABB reserves all rights regarding intellectual Property Rights.  
 Copyright 2018 ABB. All rights reserved

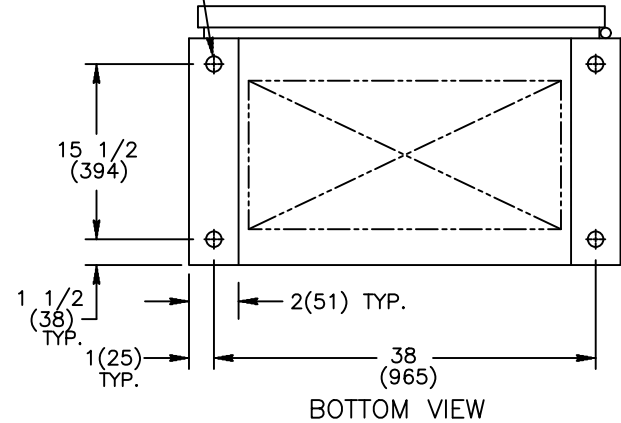
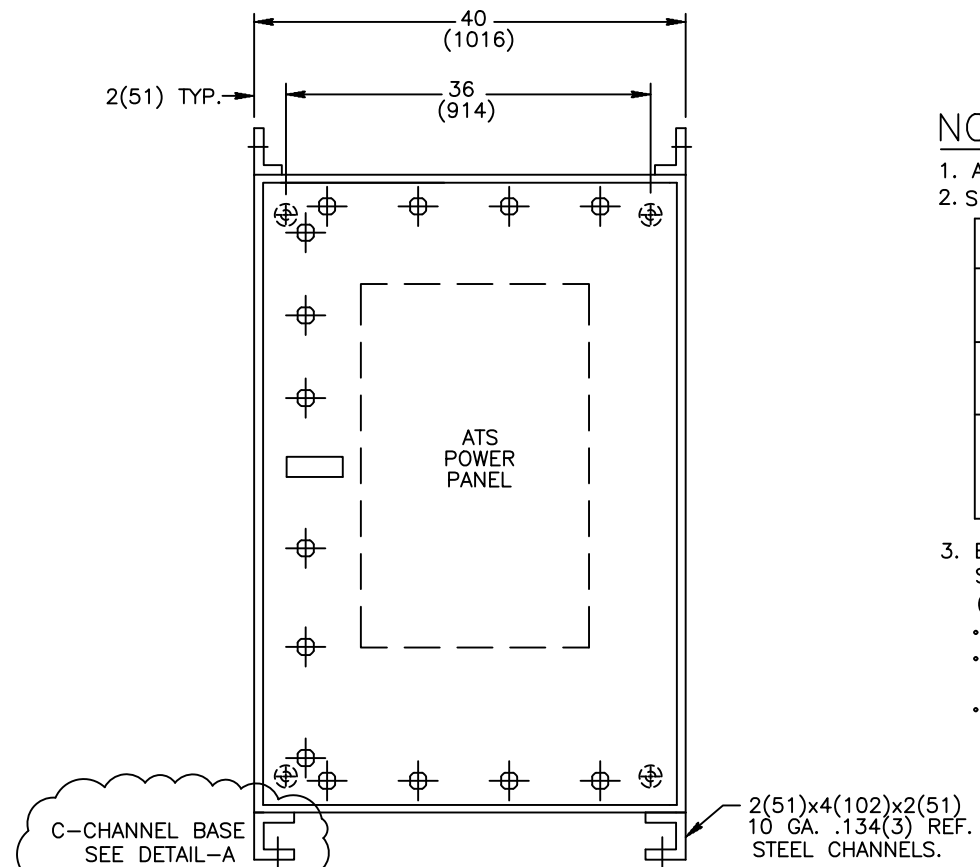
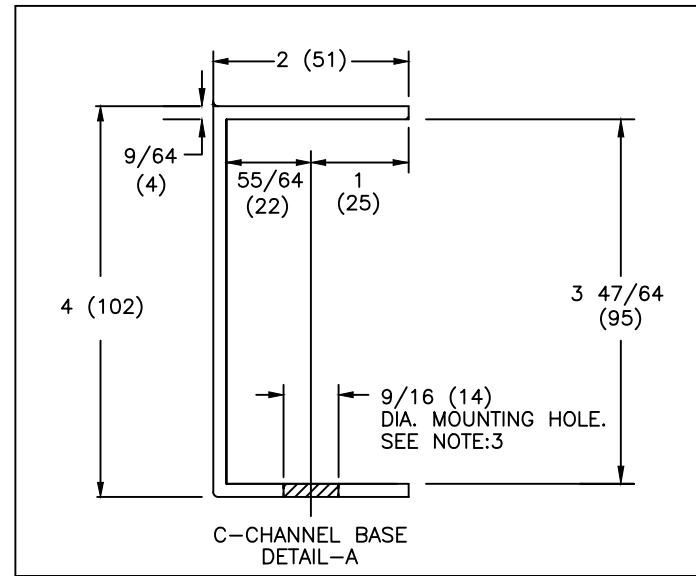
AutoCad Generated

SIGNATURES		DATE
MODEL	SG	03/13/01
CHECKED	SM	
ENGRG		
MFG		
QUALITY		
ISSUED		
DRAWING FILE:	52c-1000.dwg	
MODEL / ASSEMBLY FILE:	ZTG(D) 1000-1200 AMP	
# CTQs	⊖ CRITICAL TO QUALITY CHARACTERISTIC	

**ABB**

TRANSFER SWITCHES  
NEMA 1 ENCLOSURE

FIRST MADE FOR:	SIZE	CAGE CODE	DWG NO
	B		52C-1000
SCALE: N/A		SHEET 1 OF 2	



**NOTES:**

1. ALL DIMENSIONS ARE FOR REFERENCE ONLY AND SHOWN IN INCHES (MILLIMETERS).
2. SEISMIC DATA OF MOST VULNERABLE ATS CONSTRUCTION WITHIN ITS PLATFORM:

MAXIMUM DEFLECTION AT TOP OF GEAR: dss=0.69 INCHES (18 mm) dfb=0.21 INCHES (5 mm)	
QUALIFIED BY: TIME HISTORY SHAKE TABLE TEST IEEE-693-2005-HIGHx2.5 (64 mm) IBC-2003-300%G	
RESONANCE FREQUENCIES: fss=10.9 Hz ffb=19.5 Hz fv=>33.0 Hz	
MAXIMUM REACTION TO ANY BOLT: Vss=945 LBS (430 KG) SHEAR (DEAD LOAD +/- SEISMIC) Vfb=945 LBS (430 KG) SHEAR Tv=1872 LBS (851 KG) UP Pv=2613 LBS (1188 KG) DOWN	

3. BOLT ENCLOSURE FROM C-CHANNEL BASE (SEE DETAIL A) USING THE FOLLOWING SEISMIC CERTIFIED MOUNTING HARDWARE PER MOUNTING HOLE: (HARDWARE PROVIDED BY INSTALLER).
  - 1/2-13 GRADE 5 BOLT TORQUE TO 15 FT-LBS. (95 NEWTON METERS).
  - US STANDARD HIGH STRENGTH ZINC-PLATED FLAT WASHER 5/8 (16) I.D. AND 1-1/2 (38) O.D.
  - 1/2 (13) HELICAL SPRING LOCK WASHER.

MODEL	AMPERAGE	NO. POLES	NEMA CABINET	WEIGHT LB (Kg)
ZTG & ZTGD	1000-1200	2, 3	F-1852MP	475 (216)
		4		560 (254)

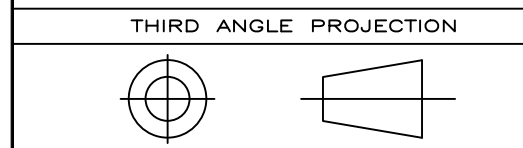
SIGNATURES		DATE
MODEL	SG	03/13/01
CHECKED	CEE	1-26-07
ENGRG		
MFG		
QUALITY		
ISSUED		
DRAWING FILE: 52C-1000.dwg		FIRST MADE FOR:
MODEL / ASSEMBLY FILE: ZTG(D) 1000-1200 AMP	SIZE B	CAGE CODE
# CTQs	⊖ CRITICAL TO QUALITY CHARACTERISTIC	DWG NO

**ABB**

NEMA 1  
ENCLOSURE SEISMIC MTG. DETAIL

52C-1000

SCALE: N/A SHEET 2 OF 2



**ABB PROPRIETARY AND CONFIDENTIAL INFORMATION**  
 The information contained in the document has to be kept strictly confidential.  
 Any unauthorized use, reproduction, distribution or disclosure to third parties is strictly forbidden.  
 ABB reserves all rights regarding intellectual Property Rights.  
 Copyright 2018 ABB. All rights reserved

AutoCad Generated