

REVISIONS			
REV.	DESCRIPTION	DATE	APPROVED
1	C076273 UPDATED REBRANDING	09/11/19	AR MAS

MODEL	AMPERAGE	CONTROLLER TYPE	NO. POLES	NEMA CABINET	LUG RANGE	WIRE BENDING SPACE		WIRE GUTTERS	
						P(TOP)	R(BOTTOM)	S(LEFT)	T(RIGHT)
ZTG(D)	1000-1200 AMP	MX-150	2, 3	F-1868MPX	(QTY 4) #2-600 MCM (33-304mm ²)	16 11/16 (424)	20 5/8 (524)	17 1/4 (438)	1 1/8 (29)
			4					11 1/2 (292)	

- NOTES:
- MATERIAL: 12 GA. .104(3) REF. 304 SS
 - FINISH: NONE
 - ALL DIMENSIONS ARE FOR REFERENCE ONLY AND SHOWN IN INCHES(MILLIMETERS).
 - CONSTRUCTION PER UL 1008
 - FOR SEISMIC MOUNTING, REFER TO SHEET NO.2.

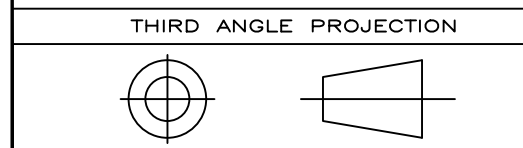
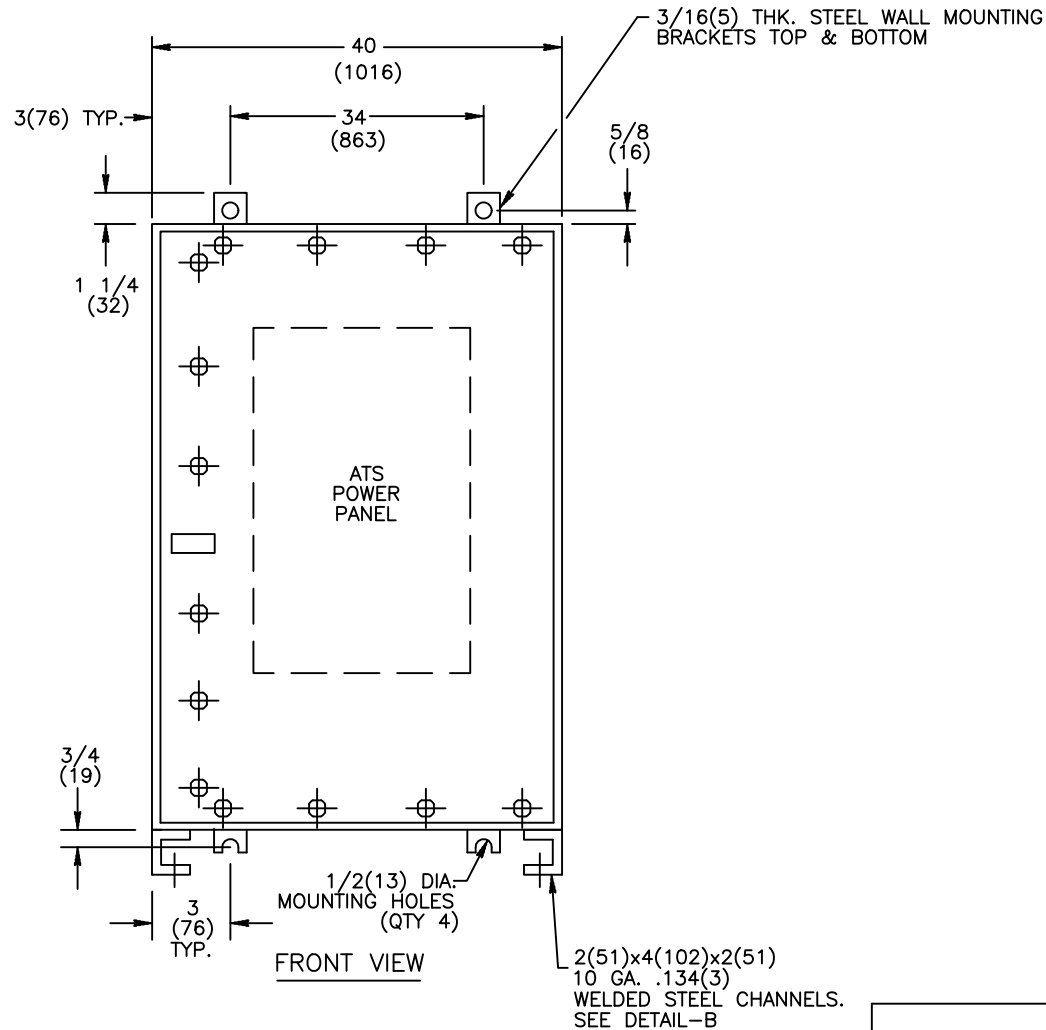
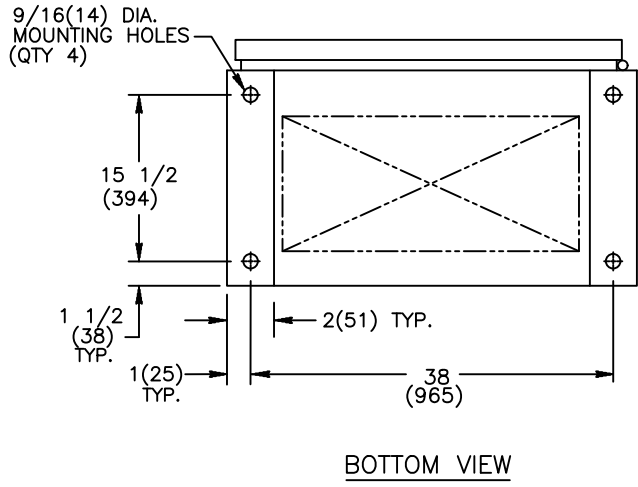


ABB PROPRIETARY AND CONFIDENTIAL INFORMATION
 The information contained in the document has to be kept strictly confidential. Any unauthorized use, reproduction, distribution or disclosure to third parties is strictly forbidden. ABB reserves all rights regarding intellectual Property Rights. Copyright 2018 ABB. All rights reserved.

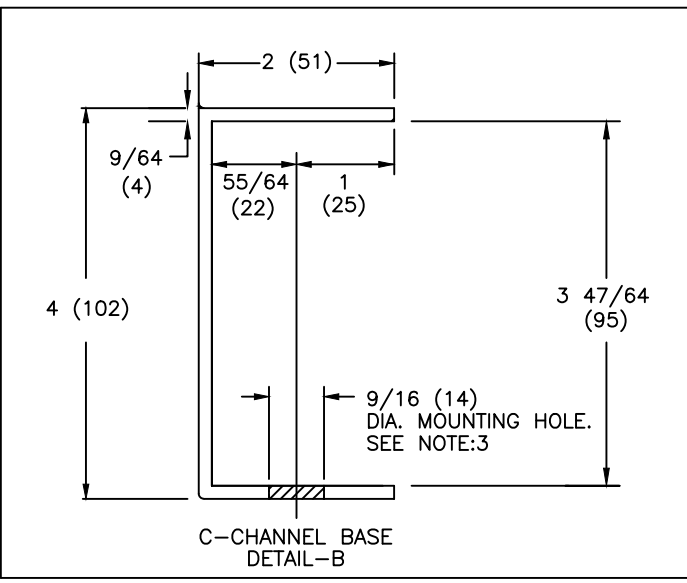
SIGNATURES		DATE		TRANSFER SWITCHES NEMA 4X ENCLOSURE	
MODEL	SG	03/13/01			
DETAIL					
CHECKED					
ENGRG	SB				
MFG					
QUALITY				TITLE	
ISSUED				FIRST MADE FOR:	
DRAWING FILE: 52c-1002.dwg		SIZE	CAGE CODE	DWG NO	
MODEL / ASSEMBLY FILE: ZTG(D) (1000-1200 AMP)		B		52C-1002	
AutoCad Generated		# CTQs	⊖ CRITICAL TO QUALITY CHARACTERISTIC	SCALE: N/A	SHEET 1 OF 2



FRONT VIEW



BOTTOM VIEW



C-CHANNEL BASE DETAIL-B

NOTES:

1. ALL DIMENSIONS ARE FOR REFERENCE ONLY AND SHOWN IN INCHES (MILLIMETERS).
2. SEISMIC DATA OF MOST VULNERABLE ATS CONSTRUCTION WITHIN ITS PLATFORM:

MAXIMUM DEFLECTION AT TOP OF GEAR:	dss=0.69 INCHES (18 mm) dfb=0.21 INCHES (5 mm)
QUALIFIED BY:	TIME HISTORY SHAKE TABLE TEST IEEE-693-2005-HIGHx2.5 (64 mm) IBC-2003-300%G
RESONANCE FREQUENCIES:	fss=10.9 Hz ffb=19.5 Hz fv=>33.0 Hz
MAXIMUM REACTION TO ANY BOLT:	Vss=945 LBS (430 KG) SHEAR (DEAD LOAD +/- SEISMIC) Vfb=945 LBS (430 KG) SHEAR Tv=1872 LBS (851 KG) UP Pv=2613 LBS (1188 KG) DOWN

3. BOLT ENCLOSURE FROM C-CHANNEL BASE (SEE DETAIL B) USING THE FOLLOWING SEISMIC CERTIFIED MOUNTING HARDWARE PER MOUNTING HOLE:
(HARDWARE PROVIDED BY INSTALLER).
 - 1/2-13 GRADE 5 BOLT TORQUE TO 15 FT-LBS. (95 NEWTON METERS).
 - US STANDARD HIGH STRENGTH ZINC-PLATED FLAT WASHER 5/8 (16) I.D. AND 1-1/2 (38) O.D.
 - 1/2 (13) HELICAL SPRING LOCK WASHER.

MODEL	AMPERAGE	NO. POLES	NEMA CABINET	WEIGHT LB (Kg)
ZTG & ZTGD	1000-1200	2, 3	F-1868MPX	510 (231)
		4		595 (270)



NEMA 4X ENCLOSURE SEISMIC MOUNTING DETAIL

SIGNATURES		DATE	TITLE	
MODEL	SG	03/13/01	NEMA 4X ENCLOSURE SEISMIC MOUNTING DETAIL	
DETAIL				
CHECKED				
ENGRG	SB			
MFG				
QUALITY				
ISSUED				
DRAWING FILE:	52c-1002.dwg	FIRST MADE FOR:	SIZE	DWG NO
MODEL / ASSEMBLY FILE:	ZTG(D) (1000-1200 AMP)		B	52C-1002
# CTQs	⊖ CRITICAL TO QUALITY CHARACTERISTIC	SCALE:	N/A	SHEET 2 OF 2

THIRD ANGLE PROJECTION

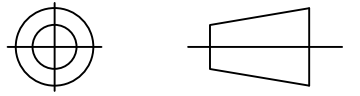


ABB PROPRIETARY AND CONFIDENTIAL INFORMATION
 The information contained in the document has to be kept strictly confidential. Any unauthorized use, reproduction, distribution or disclosure to third parties is strictly forbidden. ABB reserves all rights regarding intellectual Property Rights. Copyright 2018 ABB. All rights reserved.

AutoCad Generated