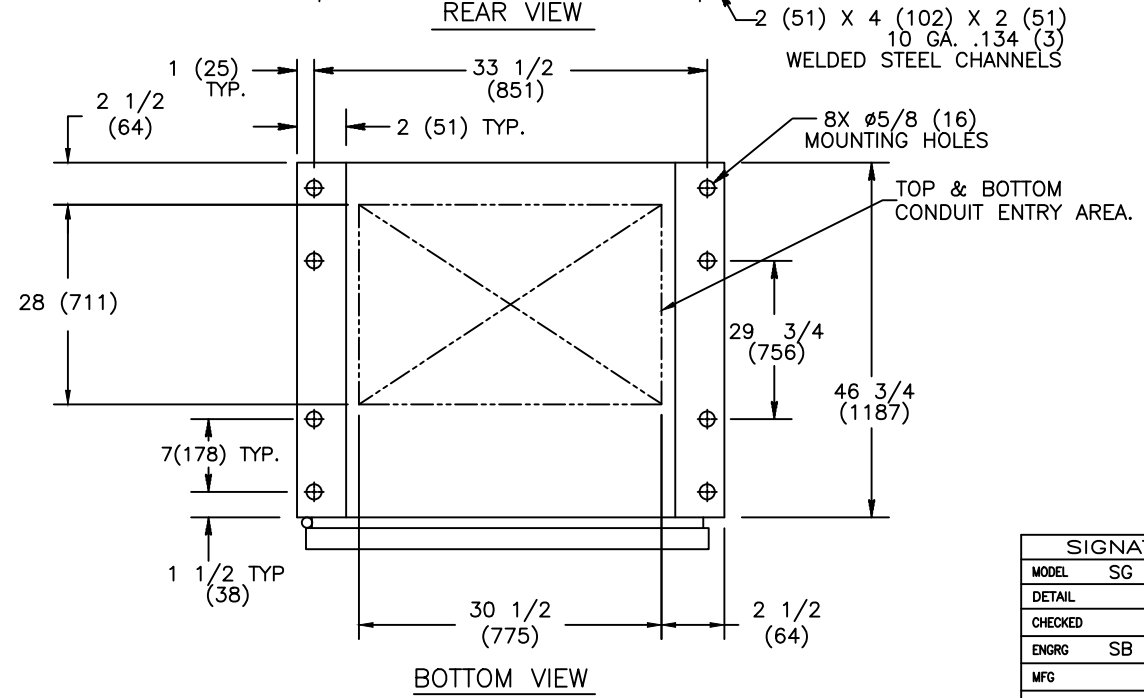


REVISIONS			
REV.	DESCRIPTION	DATE	APPROVED
1	C075076 UPDATED REBRANDING	08/28/19	AR MAS

MODEL	AMPERAGE	NO. POLES	NEMA CABINET	LUG RANGE	WIRE BENDING SPACE		WIRE GUTTERS		CABINET REAR
					P(TOP)	R(BOTTOM)	S(LEFT)	T(RIGHT)	Y
ZTG(D)	1600-2000	2,3	F-1864MPL	#2-600 MCM (33-304mm ²)	41 1/8 (1045)	20 1/8 (511)	5 3/4 (146)	17 1/4 (438)	23 5/8 (600)
		5 3/4 (146)							
	2600-3000	2,3						17 1/4 (438)	16 1/4 (413)
		4						5 3/4 (146)	



ON 3000 AMP SWITCH LUGS ARE ORIENTED VERTICALLY

- NOTES:
1. MATERIAL: 10 GA. .134(3) 1018 HRS REF. (F-1836MPL)
 2. FINISH: ANSI 61 GREY
 3. ALL CABLE ENTRY IN REAR OF CABINET.
 4. WIRING BENDING AND GUTTER SPACES MEASURED AT POINT OF CONNECTION TO LUGS.
 5. ALL DIMENSIONS ARE FOR REFERENCE ONLY AND SHOWN IN INCHES(MILLIMETERS).
 6. ALL SIDE AND REAR DOOR/PANELS SHALL HAVE GUTTER AND KNIFE EDGE FLANGES, AND HAVE HINGES ON THE RIGHT HAND SIDE.
 7. CONSTRUCTION PER UL 1008
 8. FOR SEISMIC MOUNTING, REFER TO SHEET NO.2.

SIGNATURES		DATE
MODEL	SG	02/05/01
DETAIL		
CHECKED		
ENGRG	SB	
MFG		
QUALITY		
ISSUED		
DRAWING FILE: 52c-1004.dwg		FIRST MADE FOR:
MODEL / ASSEMBLY FILE: ZTG(D) 1600-3000 AMP	SIZE B	CAGE CODE
# CTQs	⊖ CRITICAL TO QUALITY CHARACTERISTIC	DWG NO

ABB

TRANSFER SWITCHES
NEMA 1 ENCLOSURE

52C-1004

SCALE: N/A SHEET 1 OF 2

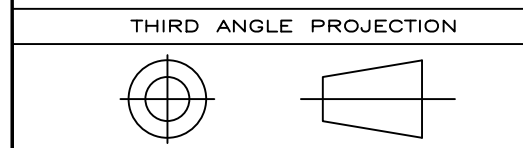
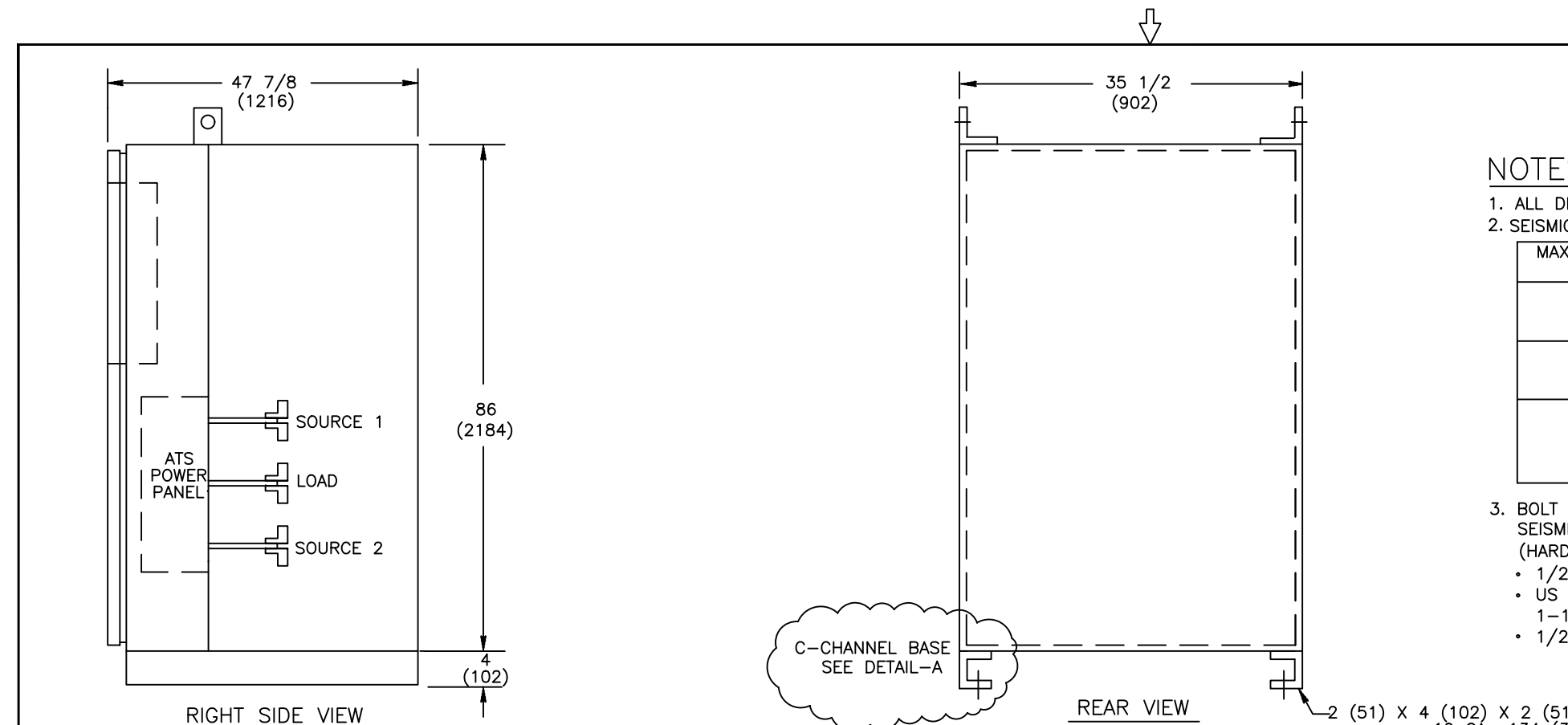


ABB PROPRIETARY AND CONFIDENTIAL INFORMATION
 The information contained in the document has to be kept strictly confidential.
 Any unauthorized use, reproduction, distribution or disclosure to third parties is strictly forbidden.
 ABB reserves all rights regarding intellectual Property Rights.
 Copyright 2018 ABB. All rights reserved

AutoCad Generated



NOTES:

1. ALL DIMENSIONS ARE FOR REFERENCE ONLY AND SHOWN IN INCHES (MILLIMETERS).
2. SEISMIC DATA OF MOST VULNERABLE ATS CONSTRUCTION WITHIN ITS PLATFORM:

MAXIMUM DEFLECTION AT TOP OF GEAR:	dss=0.69 INCHES (18 mm) dfb=0.21 INCHES (5 mm)
QUALIFIED BY:	TIME HISTORY SHAKE TABLE TEST IEEE-693-2005-HIGHx2.5 (64 mm) IBC-2003-300%G
RESONANCE FREQUENCIES:	fss=10.9 Hz ffb=19.5 Hz fv=>33.0 Hz
MAXIMUM REACTION TO ANY BOLT: (DEAD LOAD +/- SEISMIC)	Vss=945 LBS (430 KG) SHEAR Vfb=945 LBS (430 KG) SHEAR Tv=1872 LBS (851 KG) UP Pv=2613 LBS (1188 KG) DOWN

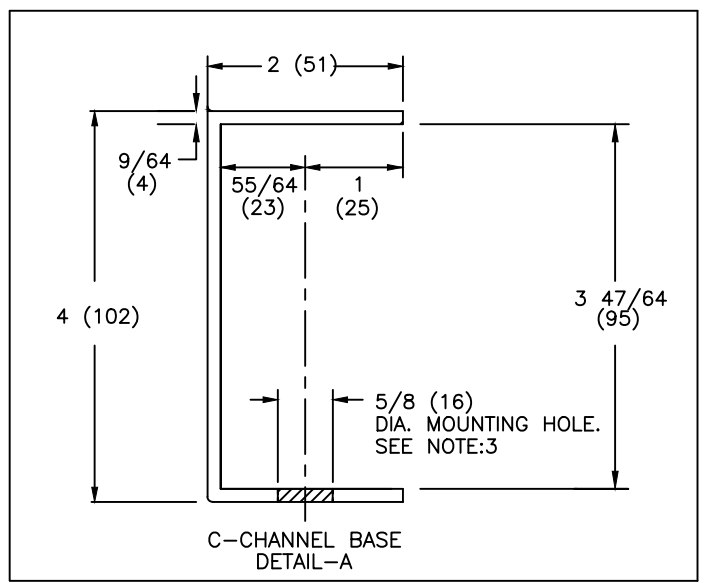
3. BOLT ENCLOSURE FROM C-CHANNEL BASE (SEE DETAIL A) USING THE FOLLOWING SEISMIC CERTIFIED MOUNTING HARDWARE PER MOUNTING HOLE:
(HARDWARE PROVIDED BY INSTALLER).
 - 1/2-13 GRADE 5 BOLT TORQUE TO 15 FT-LBS. (95 NEWTON METERS).
 - US STANDARD HIGH STRENGTH ZINC-PLATED FLAT WASHER 5/8 (16) I.D. AND 1-1/2 (38) O.D.
 - 1/2 (13) HELICAL SPRING LOCK WASHER.

RIGHT SIDE VIEW

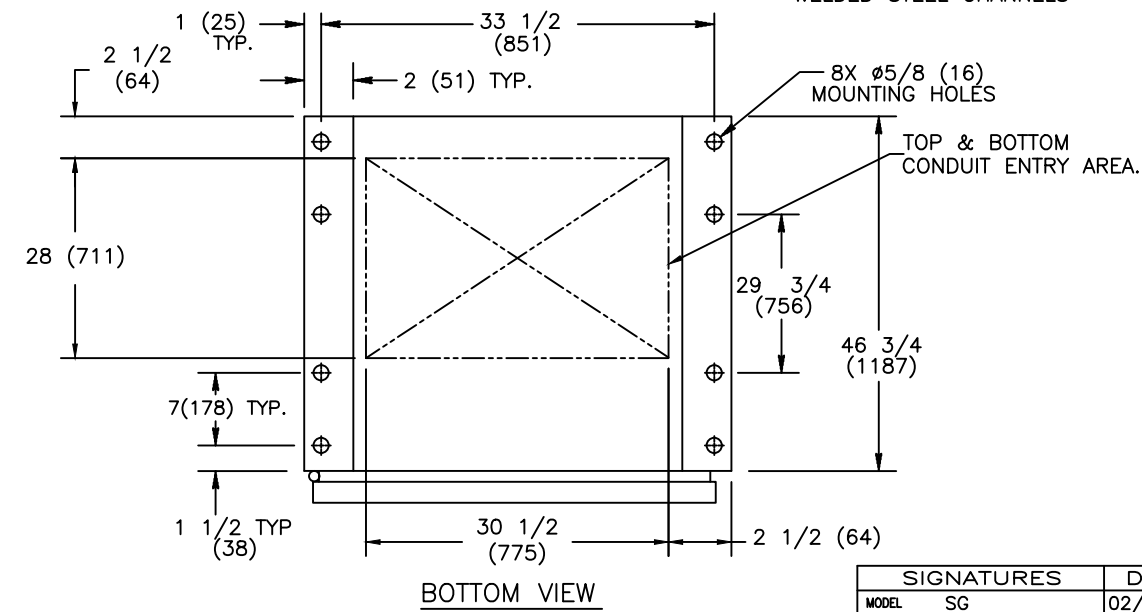
REAR VIEW

C-CHANNEL BASE
SEE DETAIL-A

2 (51) X 4 (102) X 2 (51)
10 GA. .134 (3)
WELDED STEEL CHANNELS



C-CHANNEL BASE
DETAIL-A



BOTTOM VIEW

MODEL	AMPERAGE	NO. POLES	NEMA CABINET	WEIGHT LB (Kg)
ZTG & ZTGD	1600-2000	2, 3	F-1864MPL	1030 (467)
		4		1180 (535)
	2600-3000	2, 3		1150 (522)
		4		1400 (635)

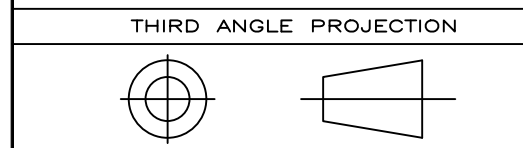


ABB PROPRIETARY AND CONFIDENTIAL INFORMATION
The information contained in the document has to be kept strictly confidential. Any unauthorized use, reproduction, distribution or disclosure to third parties is strictly forbidden. ABB reserves all rights regarding intellectual Property Rights. Copyright 2018 ABB. All rights reserved.

SIGNATURES		DATE	ABB TRANSFER SWITCHES NEMA 1 ENCLOSURE SEISMIC MTG. DETAIL	
MODEL	SG	02/05/01		
DETAIL				
CHECKED				
ENGRG	CEE	1-26-07		
MFG				
QUALITY			TITLE	
ISSUED			FIRST MADE FOR:	
DRAWING FILE:	52C-1004.dwg	SIZE	CAGE CODE	DWG NO
MODEL / ASSEMBLY FILE:	ZTG(D) 1600-3000 AMP	B		52C-1004
# CTQs	⊖ CRITICAL TO QUALITY CHARACTERISTIC	SCALE:	N/A	SHEET 2 OF 2

AutoCad Generated