

| REVISIONS | | | |
|-----------|----------------------------|----------|----------|
| REV. | DESCRIPTION | DATE | APPROVED |
| 1 | C076273 UPDATED REBRANDING | 09/11/19 | AR MAS |

| MODEL | AMPERAGE | CONTROLLER TYPE | NO. POLES | NEMA CABINET | LUG RANGE | WIRE BENDING SPACE | | WIRE GUTTERS | | CABINET REAR Y |
|--------|-----------|-----------------|-----------------|--------------|---|--------------------|-----------------|----------------|-----------------|-----------------|
| | | | | | | P(TOP) | R(BOTTOM) | S(LEFT) | T(RIGHT) | |
| ZTG(D) | 1600-2000 | MX-150 | 2,3 | F-1869MP | (QTY 8) #2-600 MCM (33-304mm ²) | 41 1/8 (1045) | 20 1/8 (511) | 5 3/4 (146) | 17 1/4 (438) | 23 5/8 (600) |
| | 4 | | 5 3/4 (146) | | | | | | | |
| | 2,3 | | 17 1/4 (438) | | | | | | 16 1/4 (413) | |
| | 4 | | 5 3/4 (146) | | | | | | | |
| 3000 | F-1870MPL | 2,3 | 17 1/4 (438) | | | | | | | |
| 4 | | 5 3/4 (146) | | | | | | | | |

- NOTES:**
- MATERIAL: 10 GA. .134(3) 1018 HRS REF. (F-1837MP)
 - FINISH: ANSI 61 GREY
 - ALL CABLE ENTRY IN REAR OF CABINET.
 - WIRING BENDING AND GUTTER SPACES MEASURED AT POINT OF CONNECTION TO LUGS.
 - ALL DIMENSIONS ARE FOR REFERENCE ONLY AND SHOWN IN INCHES(MILLIMETERS).
 - ALL SIDE AND REAR DOOR/PANELS SHALL HAVE GUTTER AND KNIFE EDGE FLANGES, AND HAVE HINGES ON THE RIGHT HAND SIDE.
 - CONSTRUCTION PER UL 1008.
 - FOR SEISMIC MOUNTING, REFER TO SHEET NO.2.

ON 3000 AMP SWITCH LUGS ARE ORIENTED VERTICALLY

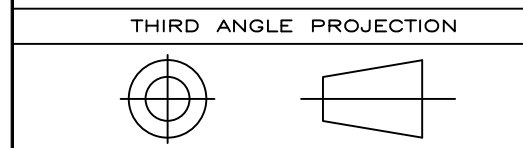
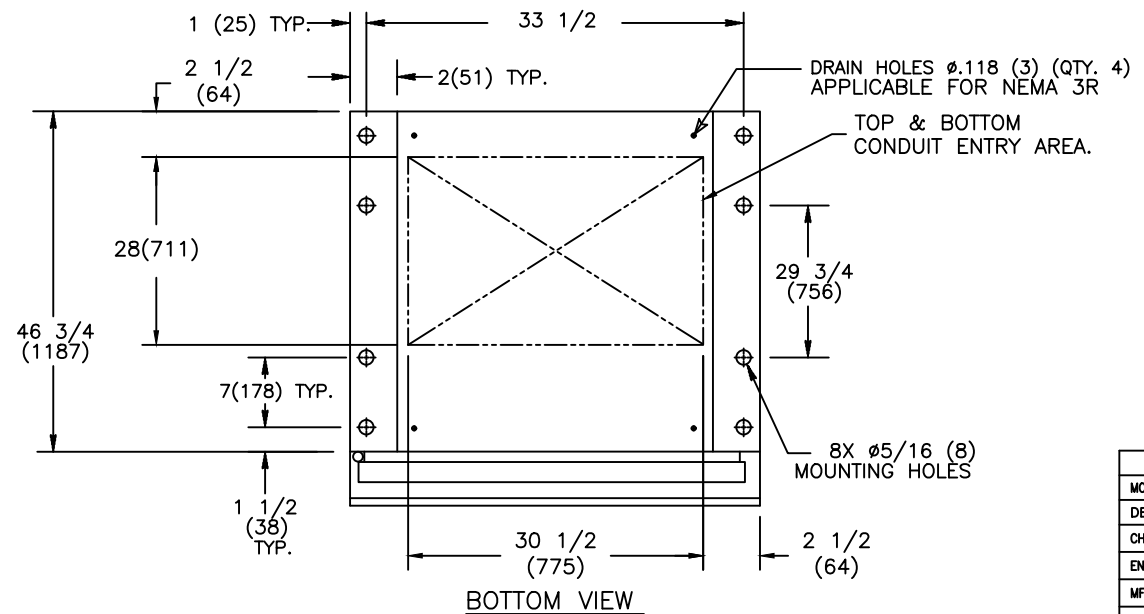
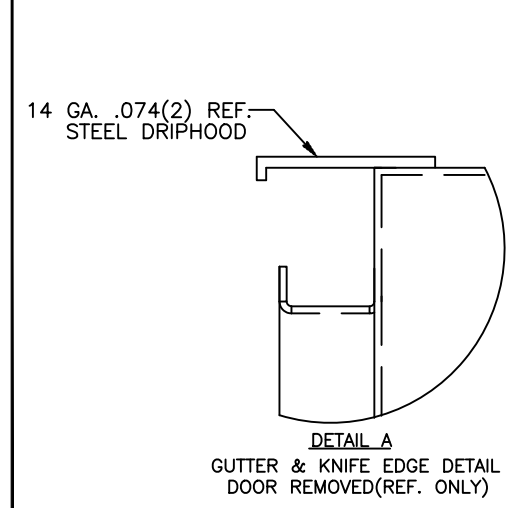

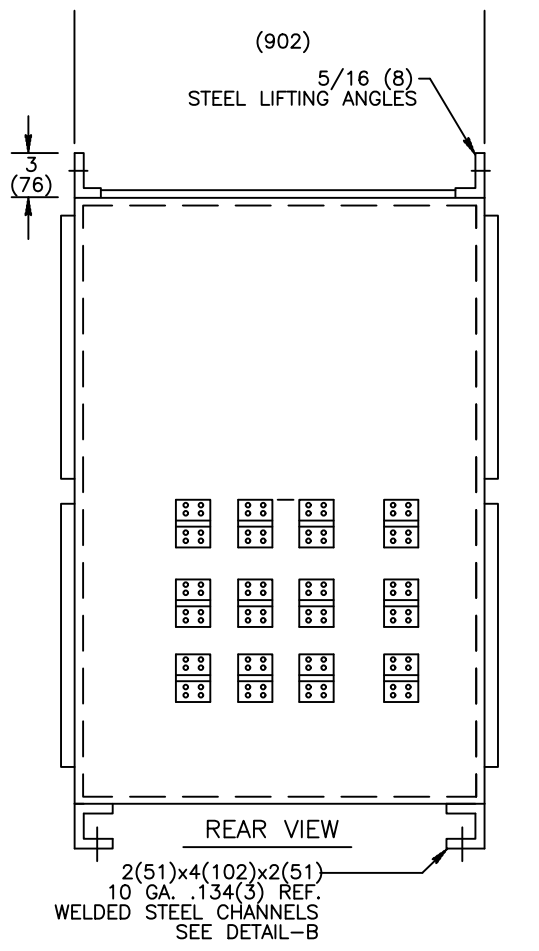


ABB PROPRIETARY AND CONFIDENTIAL INFORMATION
The information contained in the document has to be kept strictly confidential. Any unauthorized use, reproduction, distribution or disclosure to third parties is strictly forbidden. ABB reserves all rights regarding intellectual Property Rights. Copyright 2018 ABB. All rights reserved.

| | | | | | |
|------------------------|--------------------------------------|-----------------|--|-----------|----------|
| SIGNATURES | | DATE |  TRANSFER SWITCHES NEMA 3R, 4 & 12 ENCLOSURES | | |
| MODEL | SG | 02/05/01 | | | |
| DETAIL | | | | | |
| CHECKED | | | | | |
| ENGRG | SB | | | | |
| MFG | | | | | |
| QUALITY | | | TITLE | | |
| ISSUED | | | | | |
| DRAWING FILE: | 52c-1005.dwg | FIRST MADE FOR: | SIZE | CAGE CODE | DWG NO |
| MODEL / ASSEMBLY FILE: | ZTG(D) 1600-3000 AMP | | B | | 52C-1005 |
| # CTQs | ⊖ CRITICAL TO QUALITY CHARACTERISTIC | SCALE: | N/A | SHEET | 1 OF 2 |

AutoCad Generated

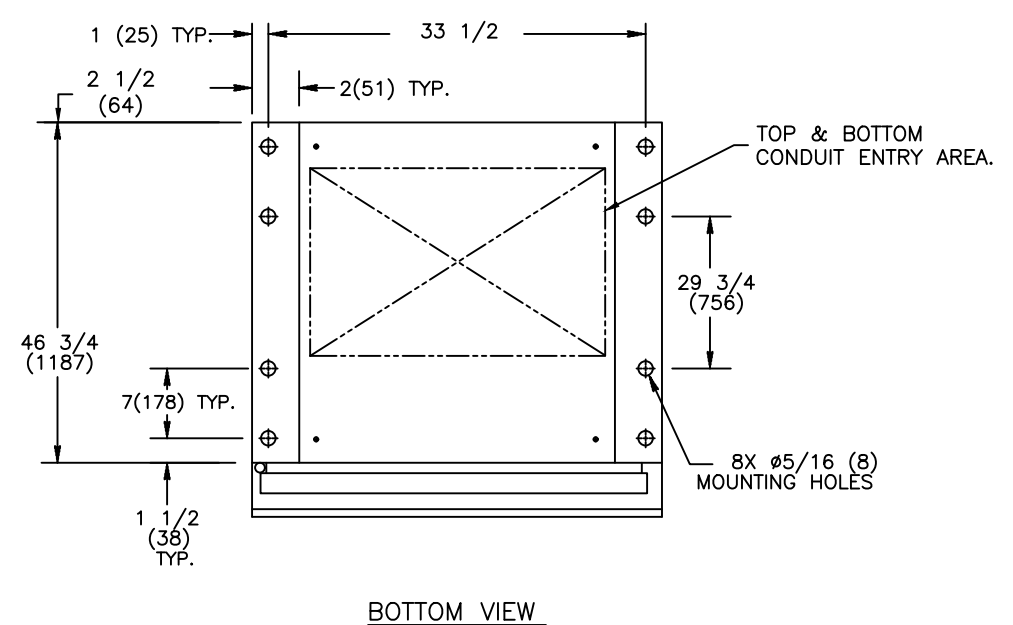
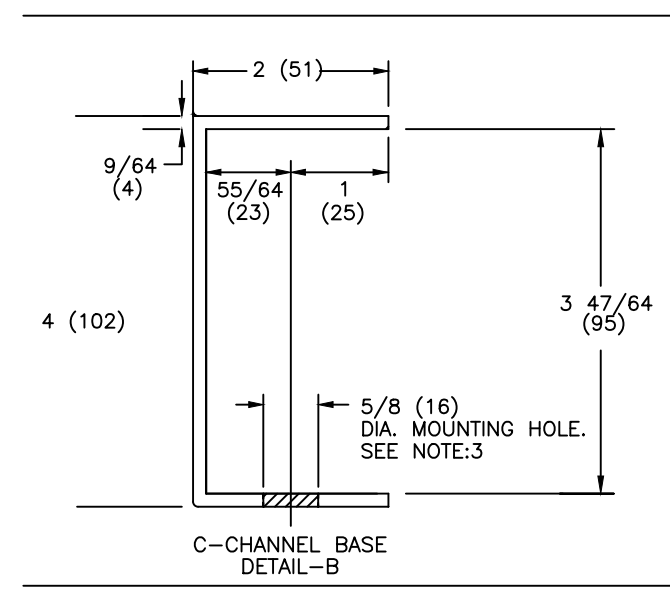


NOTES:

1. ALL DIMENSIONS ARE FOR REFERENCE ONLY AND SHOWN IN INCHES (MILLIMETERS).
2. SEISMIC DATA OF MOST VULNERABLE ATS CONSTRUCTION WITHIN ITS PLATFORM:

| | |
|--|---|
| MAXIMUM DEFLECTION AT TOP OF GEAR: | dss=0.69 INCHES (18 mm) dfb=0.21 INCHES (5 mm) |
| QUALIFIED BY: | TIME HISTORY SHAKE TABLE TEST IEEE-693-2005-HIGHx2.5 (64 mm) IBC-2003-300%G |
| RESONANCE FREQUENCIES: | fss=10.9 Hz ffb=19.5 Hz fv>33.0 Hz |
| MAXIMUM REACTION TO ANY BOLT: (DEAD LOAD +/- SEISMIC) | Vss=945 LBS (430 KG) SHEAR Vfb=945 LBS (430 KG) SHEAR Tv=1872 LBS (851 KG) UP Pv=2613 LBS (1188 KG) DOWN |

3. BOLT ENCLOSURE FROM C-CHANNEL BASE (SEE DETAIL B) USING THE FOLLOWING SEISMIC CERTIFIED MOUNTING HARDWARE PER MOUNTING HOLE:
(HARDWARE PROVIDED BY INSTALLER).
 - 1/2-13 GRADE 5 BOLT TORQUE TO 15 FT-LBS. (95 NEWTON METERS).
 - US STANDARD HIGH STRENGTH ZINC-PLATED FLAT WASHER 5/8 (16) I.D. AND 1-1/2 (38) O.D.
 - 1/2 (13) HELICAL SPRING LOCK WASHER.



| MODEL | AMPERAGE | NO. POLES | NEMA CABINET | WEIGHT LB (Kg) |
|------------|-----------|-----------|--------------|----------------|
| ZTG & ZTGD | 1600-2000 | 2, 3 | F-1869MP | 1110 (503) |
| | | 4 | | 1260 (572) |
| | 2600 | 2, 3 | | 1230 (558) |
| | | 4 | | 1480 (671) |
| 3000 | 2, 3 | F-1870MPL | 1230 (558) | |
| | 4 | | 1480 (671) | |

| SIGNATURES | | DATE |
|------------------------|--------------------------------------|----------|
| MODEL | SG | 02/05/01 |
| DETAIL | | |
| CHECKED | | |
| ENGRG | SB | |
| MFG | | |
| QUALITY | | |
| ISSUED | | |
| DRAWING FILE: | 52c-1005-h-1.dwg | |
| MODEL / ASSEMBLY FILE: | ZTG(D) 1600-3000 AMP | |
| # CTQs | ⊖ CRITICAL TO QUALITY CHARACTERISTIC | |

| | | |
|---|--------------|----------|
| ABB | | |
| TITLE NEMA 3R ENCLOSURES SEISMIC MOUNTING DETAILS | | |
| FIRST MADE FOR: | SIZE | DWG NO |
| | B | 52C-1005 |
| CAGE CODE | SCALE: N/A | |
| | SHEET 2 OF 2 | |

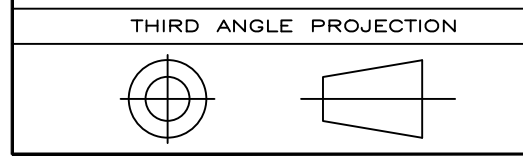


ABB PROPRIETARY AND CONFIDENTIAL INFORMATION
 The information contained in the document has to be kept strictly confidential.
 Any unauthorized use, reproduction, distribution or disclosure to third parties is strictly forbidden.
 ABB reserves all rights regarding intellectual Property Rights.
 Copyright 2018 ABB. All rights reserved.

AutoCad Generated