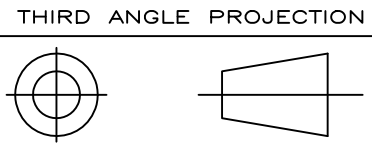


- NOTES:**
- MATERIAL:**
 - A. 12 GA. .104(3) REF. 1018 HRS (F-1867MP, F-1868MP)
 - B. 14 GA. .074(2) REF. 1018 HRS (F-1875MP)
 - C. 16 GA. .0598(1.5) REF. 1018 HRS (F-1829MP)
 - UNLESS OTHERWISE NOTED.
 - FINISH:** ANSI 61 GREY
 - ALL DIMENSIONS ARE FOR REFERENCE ONLY AND SHOWN IN INCHES(MILLIMETERS).
 - CONSTRUCTION PER UL 1008**
 - A ZTG 40A-225A WHEN ORDERED WITH THE FOLLOWING OPTIONS WILL REQUIRE A LARGER ENCLOSURE OF 46"H X 24"W X 14 1/4"D: A62(T), DIGITAL METER, HT, OCVR-1SG, OCVR-1SS.
 - FOR SEISMIC MOUNTING, REFER TO SHEET NO.6.
 - FOR 260A & 600A 600V ZTG SWITCH ORDER, USE 50C-1034 DRAWING

CABINET DIMENSIONS								
CABINET	A	B	C	D	E	F	G	H
F-1867MP	62 (1575)	24 (610)	19 3/4 (502)	15 1/2 (394)	18 (457)	22 (559)	19 (483)	11 (279)
F-1868MP	70 (1778)	40 (1016)			34 (864)	38 (965)	35 (889)	
F-1875MP	46 (1168)	24 (610)	14 1/4 (362)	--	18 (457)	--	19 (483)	6 (152)
F-1829MP	24 (610)	18 (457)	11 1/4 (286)	--	12 (305)	--	13 (330)	4 (102)

DRAIN HOLE .118 (3) DIA(QTY 4)
APPLICABLE FOR NEMA 3R

REVISIONS									
REV.	DESCRIPTION							DATE	APPROVED
X	S-8887 ADDED WEIGHT							08/11/09	YP MAS
MODEL	AMPERAGE	NO. POLES	NEMA CABINET	LUG RANGE	WIRE BENDING SPACE		WIRE GUTTERS		
					P(TOP)	R(BOTTOM)	S(LEFT)	T(RIGHT)	
ZTG	40-150	2,3	F-1829MP	#8-3/0 (8-85mm ²)	7 (178)	8 (203)	3 1/2 (89)	5 7/8 (149)	
		4						4 1/2 (114)	
	200	2,3	F-1875MP	#6-250 MCM (13-127mm ²)	14 3/4 (375)	14 5/8 (371)	4 7/8 (124)	8 7/8 (225)	
		4						7 1/2 (191)	
	225, 260	2	F-1875MP	#6-350 MCM (13-177mm ²)	14 3/4 (375)	14 5/8 (371)	4 7/8 (124)	7 5/8 (194)	
		3						4 5/8 (117)	
		4						5 9/16 (141)	
	400	2	F-1875MP	#4-600 MCM (21-304mm ²)	14 3/4 (375)	14 5/8 (371)	4 7/8 (124)	7 5/8 (194)	
		3						4 5/8 (117)	
		4						5 9/16 (141)	
600	2	F-1867MP	#2-600 MCM (33-304mm ²)	15 (381)	18 (457)	9 7/8 (251)	8 (203)		
	3						6 1/16 (154)		
	4						2 7/16 (62)		
800	2,3	F-1838MP	#2-600 MCM (33-304mm ²)	18 1/2 (470)	18 (457)	17 1/8 (435)	1 1/8 (29)		
	4						10 3/4 (273)		
ZTGD	40-80	2	F-1875MP	#8-3/0 (8-85mm ²)	14 3/4 (375)	14 5/8 (371)	4 7/8 (124)	13 5/8 (346)	
		3						4 5/8 (117)	
		4						11 9/16 (294)	
	100-400	2	F-1875MP	#4-600 MCM (21-304mm ²)	14 3/4 (375)	14 5/8 (371)	4 7/8 (124)	7 5/8 (194)	
		3						4 5/8 (117)	
		4						5 9/16 (141)	
	600	2	F-1867MP	#2-600 MCM (33-304mm ²)	15 (381)	18 (457)	9 7/8 (251)	8 (203)	
		3						6 1/16 (154)	
		4						2 7/16 (62)	
	800	2,3	F-1868MP	#2-600 MCM (33-304mm ²)	18 1/2 (470)	18 (457)	17 1/8 (435)	1 1/8 (29)	
4		10 3/4 (273)							



GE PROPRIETARY AND CONFIDENTIAL INFORMATION

This document is the property of General Electric Company ("GE") and contains proprietary information of GE. This document is loaned on the express condition that neither it nor the information contained therein shall be disclosed to others without the express written consent of GE Industrial Systems, and that the information shall be used by the recipient only as approved expressly by GE Industrial Systems. This document shall be returned to GE upon its request. This document may be subject to certain restrictions under U.S. export control laws and regulations.

AutoCad Generated

SIGNATURES		DATE
MODEL	EC	11/01/00
DETAIL		
CHECKED		
ENGRG	SB	11/01/00
MFG		
QUALITY		
ISSUED		
DRAWING FILE:	52c-1035-x-2.dwg	
MODEL / ASSEMBLY FILE:	ZTG(D) (40-800A)	
# CTQs	CRITICAL TO QUALITY CHARACTERISTIC	

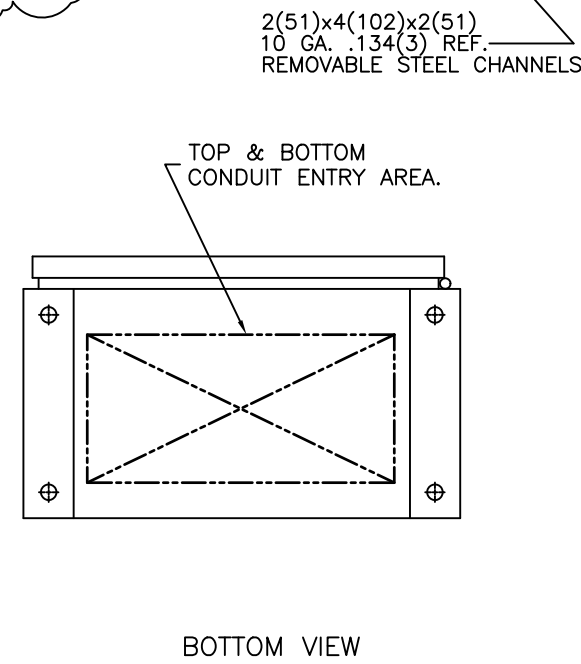
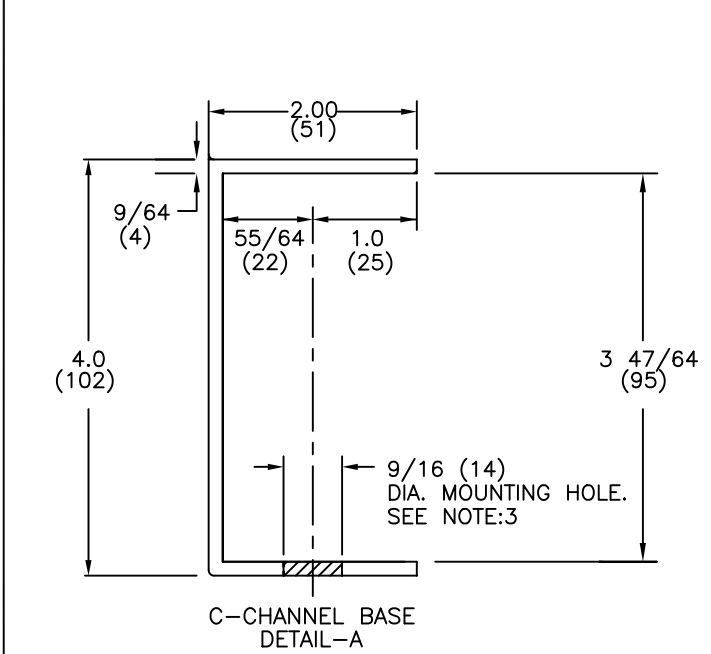
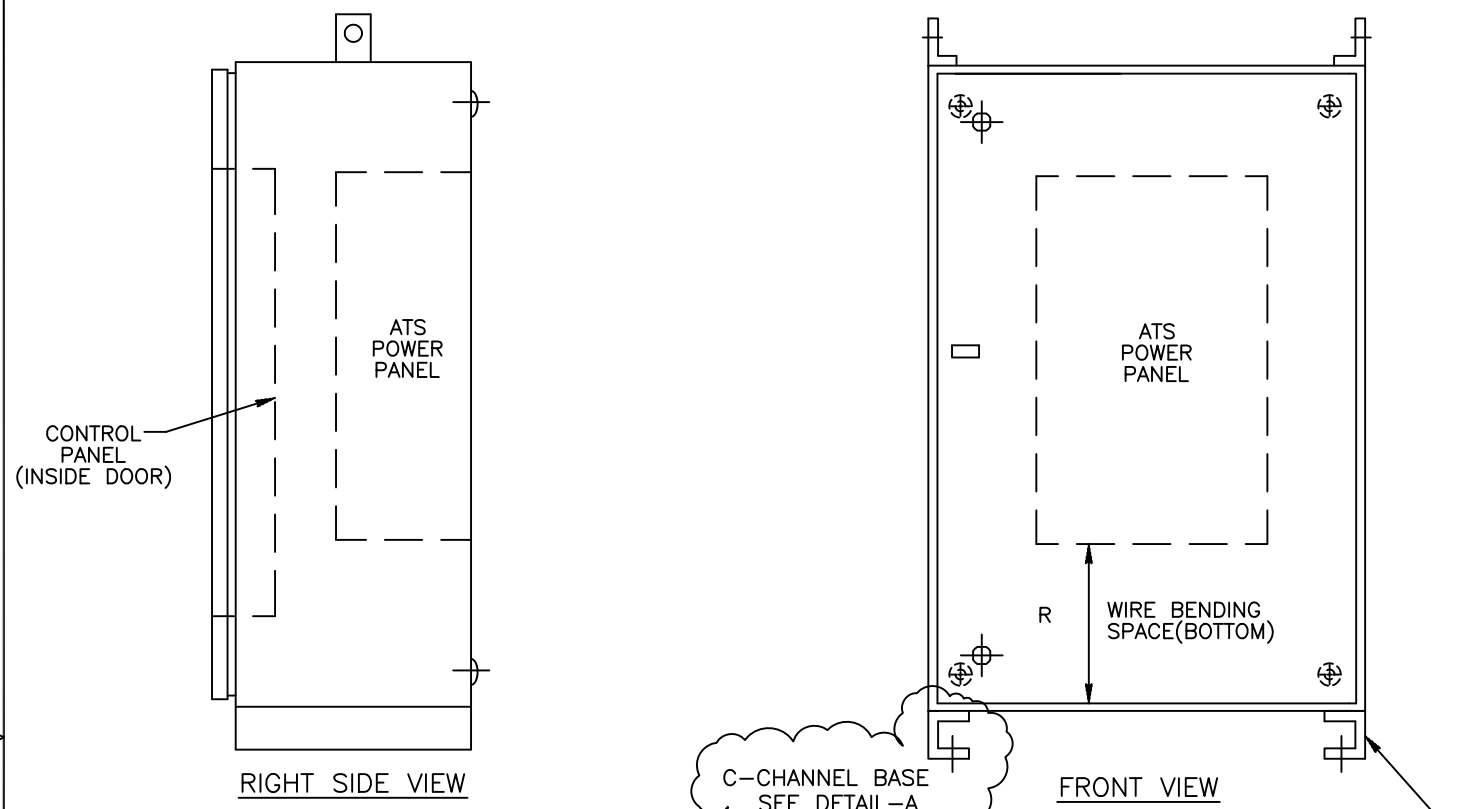
GE Zenith Controls

TITLE
**TRANSFER SWITCHES
NEMA 3R, 4 & 12 ENCLOSURES**

FIRST MADE FOR:
SIZE: B CAGE CODE: DWG NO: 52C-1035

SCALE: N/A SHEET 2 OF 6

REVISIONS			
REV.	DESCRIPTION	DATE	APPROVED
X	S-8887	ADDED WEIGHT	08/11/09 YP MAS



NOTES:

- REFER SHEETS 1 TO 3 FOR DETAIL ENCLOSURE DIMENSIONS.
- SEISMIC DATA OF MOST VULNERABLE ATS CONSTRUCTION WITHIN ITS PLATFORM:

MAXIMUM DEFLECTION AT TOP OF GEAR:	dss=0.69 INCHES (18 mm) dfb=0.21 INCHES (5 mm)
QUALIFIED BY:	TIME HISTORY SHAKE TABLE TEST IEEE-693-2005-HIGHx2.5 (64 mm) IBC-2003-300%G
RESONANCE FREQUENCIES:	fss=10.9 Hz ffb=19.5 Hz fv=>33.0 Hz
MAXIMUM REACTION TO ANY BOLT:	Vss=945 LBS (430 KG) SHEAR (DEAD LOAD +/- SEISMIC) Vfb=945 LBS (430 KG) SHEAR Tv=1872 LBS (851 KG) UP Pv=2613 LBS (1188 KG) DOWN

- BOLT ENCLOSURE FROM C-CHANNEL BASE (SEE DETAIL A) USING THE FOLLOWING SEISMIC CERTIFIED MOUNTING HARDWARE PER MOUNTING HOLE:
(HARDWARE PROVIDED BY INSTALLER).
 - 1/2-13 GRADE 5 BOLT TORQUE TO 15 FT-LBS. (95 NEWTON METERS).
 - US STANDARD HIGH STRENGTH ZINC-PLATED FLAT WASHER 5/8 (16) I.D. AND 1-1/2 (38) O.D.
 - 1/2 (13) HELICAL SPRING LOCK WASHER.

AMP	POLE	WEIGHT LB (Kg)	
		NEMA-1	NEMA-3R,4(X),12
40-225	2,3	69 (31)	84 (38)
	4	75 (34)	90 (41)
260	2,3	114 (51)	139 (63)
	4	125 (57)	150 (68)
400	2,3	168 (76)	193 (88)
	4	180 (82)	205 (93)
600	3	214 (97)	250 (113)
	4	224 (102)	260 (118)
800	3	460 (209)	496 (225)
	4	490 (222)	526 (239)

SIGNATURES		DATE
MODEL	EC	11/01/00
DETAIL		
CHECKED		
ENGRG	CEE	1/26/07
MFG		
QUALITY		
ISSUED		
DRAWING FILE:	52c-1035-x-6.dwg	
MODEL / ASSEMBLY FILE:	ZTG(D) (600-800A)	
# CTQs	⊖ CRITICAL TO QUALITY CHARACTERISTIC	

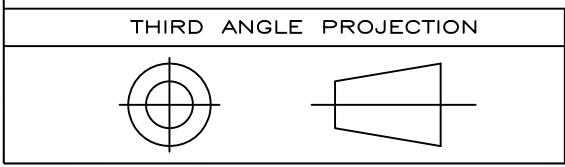
GE Zenith Controls

TITLE: ENCLOSURE SEISMIC MTG. DETAIL

FIRST MADE FOR: -

SIZE: B CAGE CODE: DWG NO: 52C-1035

SCALE: N/A SHEET 6 OF 6



GE PROPRIETARY AND CONFIDENTIAL INFORMATION

This document is the property of General Electric Company ("GE") and contains proprietary information of GE. This document is loaned on the express condition that neither it nor the information contained therein shall be disclosed to others without the express written consent of GE Industrial Systems, and that the information shall be used by the recipient only as approved expressly by GE Industrial Systems. This document shall be returned to GE upon its request. This document may be subject to certain restrictions under U.S. export control laws and regulations.

AutoCad Generated