

CABINET DIMENSIONS								
CABINET	A	B	C	D	E	F	G	H
F-1867MPX	62 (1575)	24 (610)	19 3/4 (502)	15 1/2 (394)	18 (457)	22 (559)	19 (483)	11 (279)
F-1868MPX	70 (1778)	40 (1016)	15 1/2 (394)	34 (864)	38 (965)	35 (889)	6 (152)	4 (102)
F-1875MPX	46 (1168)	24 (610)	14 1/4 (362)	--	18 (457)	--	19 (483)	6 (152)
F-1829MPX	24 (610)	18 (457)	11 1/4 (286)	--	12 (305)	--	13 (330)	4 (102)

REVISIONS									
REV.	DESCRIPTION							DATE	APPROVED
X	S-8887 ADDED WEIGHT							08/11/09	YP MAS
MODEL	AMPERAGE	NO. POLES	NEMA CABINET	LUG RANGE	WIRE BENDING SPACE		WIRE GUTTERS		
					P(TOP)	R(BOTTOM)	S(LEFT)	T(RIGHT)	
ZTG	40-150	2,3	F-1829MPX	#8-3/0 (8-85mm <sup>2</sup> )	7 (178)	8 (203)	3 1/2 (89)	5 7/8 (149)	4 1/2 (114)
		4						8 7/8 (225)	7 1/2 (191)
	200	2,3	F-1875MPX	#6-250 MCM (13-127mm <sup>2</sup> )	14 3/4 (375)	14 5/8 (371)	4 7/8 (124)	7 5/8 (194)	5 9/16 (141)
		4						4 5/8 (117)	2 3/4 (70)
	225, 260	2	F-1875MPX	#6-350 MCM (13-177mm <sup>2</sup> )	14 3/4 (375)	14 5/8 (371)	4 7/8 (124)	7 5/8 (194)	5 9/16 (141)
		3						4 5/8 (117)	2 3/4 (70)
	400	2	F-1875MPX	#4-600 MCM (21-304mm <sup>2</sup> )	14 3/4 (375)	14 5/8 (371)	4 7/8 (124)	7 5/8 (194)	5 9/16 (141)
		3						4 5/8 (117)	2 3/4 (70)
	600	2	F-1867MPX	#2-600 MCM (33-304mm <sup>2</sup> )	15 (381)	18 (457)	9 7/8 (251)	8 (203)	2 7/16 (62)
		3						6 1/16 (154)	6 1/16 (154)
	800	2,3	F-1868MPX	#2-600 MCM (33-304mm <sup>2</sup> )	18 1/2 (470)	18 (457)	17 1/8 (435)	1 1/8 (29)	1 1/8 (29)
		4						10 3/4 (273)	10 3/4 (273)
ZTGD	40-80	2	F-1875MPX	#8-3/0 (8-85mm <sup>2</sup> )	14 3/4 (375)	14 5/8 (371)	4 7/8 (124)	13 5/8 (346)	11 9/16 (294)
		3						4 5/8 (117)	2 3/4 (70)
	100-400	2	F-1875MPX	#4-600 MCM (21-304mm <sup>2</sup> )	14 3/4 (375)	14 5/8 (371)	4 7/8 (124)	7 5/8 (194)	5 9/16 (141)
		3						4 5/8 (117)	2 3/4 (70)
	600	2	F-1867MPX	#2-600 MCM (33-304mm <sup>2</sup> )	15 (381)	18 (457)	9 7/8 (251)	8 (203)	2 7/16 (62)
		3						6 1/16 (154)	6 1/16 (154)
	800	2,3	F-1868MPX	#2-600 MCM (33-304mm <sup>2</sup> )	18 1/2 (470)	18 (457)	17 1/8 (435)	1 1/8 (29)	1 1/8 (29)
		4						10 3/4 (273)	10 3/4 (273)

- NOTES:**
- MATERIAL:**
    - 12 GA. .104(3) REF. 304 STAINLESS STEEL (F-1867MPX, F-1868MPX)
    - 14 GA. .074(2) REF. 304 STAINLESS STEEL (F-1875MPX)
    - 16 GA. .0598(1.5) REF. 304 STAINLESS STEEL (F-1829MPX)
 UNLESS OTHERWISE NOTED.
  - FINISH:** NONE
  - ALL DIMENSIONS ARE FOR REFERENCE ONLY AND SHOWN IN INCHES(MILLIMETERS).
  - CONSTRUCTION PER UL 1008
  - A ZTG 40A-225A WHEN ORDERED WITH THE FOLLOWING OPTIONS WILL REQUIRE A LARGER ENCLOSURE OF 46"H X 24"W X 14 1/4"D: A62(T), DIGITAL METER, HT, OCVR-1SG, OCVR-1SS.
  - FOR SEISMIC MOUNTING, REFER TO SHEET NO.6.

SIGNATURES		DATE	
MODEL	EC	11/01/00	
DETAIL			
CHECKED			
ENGRG	SB	11/01/00	
MFG			
QUALITY			
ISSUED			
DRAWING FILE: 52c-1035-x-3.dwg		SIZE	CAGE CODE
MODEL / ASSEMBLY FILE: ZTG(D) (40-800A)		B	
# CTQs	⊖ CRITICAL TO QUALITY CHARACTERISTIC	FIRST MADE FOR:	
AutoCad Generated		SCALE: N/A	SHEET 3 OF 6

## GE Zenith Controls

# TRANSFER SWITCHES NEMA 4X ENCLOSURES

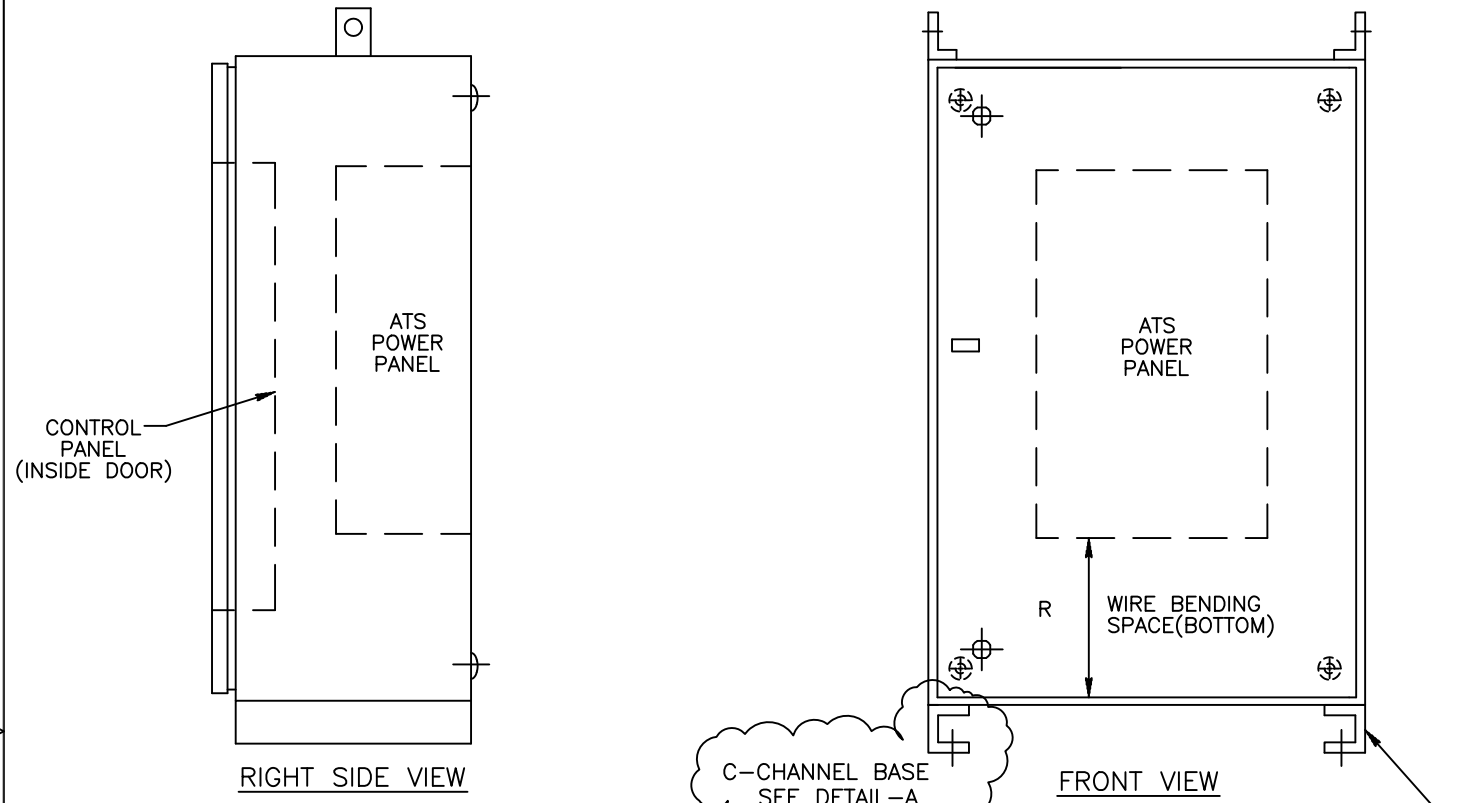
### 52C-1035

THIRD ANGLE PROJECTION

GE PROPRIETARY AND CONFIDENTIAL INFORMATION

This document is the property of General Electric Company ("GE") and contains proprietary information of GE. This document is loaned on the express condition that neither it nor the information contained therein shall be disclosed to others without the express written consent of GE Industrial Systems, and that the information shall be used by the recipient only as approved expressly by GE Industrial Systems. This document shall be returned to GE upon its request. This document may be subject to certain restrictions under U.S. export control laws and regulations.

REVISIONS			
REV.	DESCRIPTION	DATE	APPROVED
X	S-8887	ADDED WEIGHT	08/11/09 YP MAS



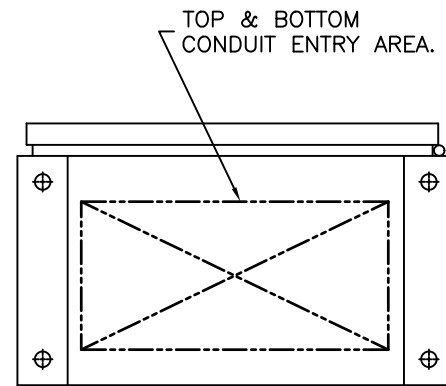
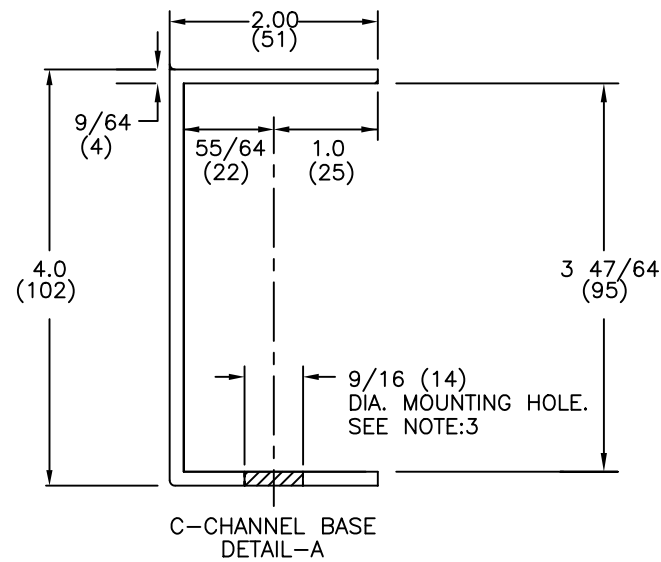
**NOTES:**

- REFER SHEETS 1 TO 3 FOR DETAIL ENCLOSURE DIMENSIONS.
- SEISMIC DATA OF MOST VULNERABLE ATS CONSTRUCTION WITHIN ITS PLATFORM:

MAXIMUM DEFLECTION AT TOP OF GEAR: $d_{ss}=0.69$ INCHES (18 mm) $d_{fb}=0.21$ INCHES (5 mm)
QUALIFIED BY: TIME HISTORY SHAKE TABLE TEST IEEE-693-2005-HIGHx2.5 (64 mm) IBC-2003-300%G
RESONANCE FREQUENCIES: $f_{ss}=10.9$ Hz $f_{fb}=19.5$ Hz $f_v > 33.0$ Hz
MAXIMUM REACTION TO ANY BOLT: $V_{ss}=945$ LBS (430 KG) SHEAR (DEAD LOAD +/- SEISMIC) $V_{fb}=945$ LBS (430 KG) SHEAR $T_v=1872$ LBS (851 KG) UP $P_v=2613$ LBS (1188 KG) DOWN

- BOLT ENCLOSURE FROM C-CHANNEL BASE (SEE DETAIL A) USING THE FOLLOWING SEISMIC CERTIFIED MOUNTING HARDWARE PER MOUNTING HOLE:  
(HARDWARE PROVIDED BY INSTALLER).
  - 1/2-13 GRADE 5 BOLT TORQUE TO 15 FT-LBS. (95 NEWTON METERS).
  - US STANDARD HIGH STRENGTH ZINC-PLATED FLAT WASHER 5/8 (16) I.D. AND 1-1/2 (38) O.D.
  - 1/2 (13) HELICAL SPRING LOCK WASHER.

2(51)x4(102)x2(51)  
10 GA. .134(3) REF.  
REMOVABLE STEEL CHANNELS



AMP	POLE	WEIGHT LB (Kg)	
		NEMA-1	NEMA-3R,4(X),12
40-225	2,3	69 (31)	84 (38)
	4	75 (34)	90 (41)
260	2,3	114 (51)	139 (63)
	4	125 (57)	150 (68)
400	2,3	168 (76)	193 (88)
	4	180 (82)	205 (93)
600	3	214 (97)	250 (113)
	4	224 (102)	260 (118)
800	3	460 (209)	496 (225)
	4	490 (222)	526 (239)

SIGNATURES		DATE
MODEL	EC	11/01/00
DETAIL		
CHECKED		
ENGRG	CEE	1/26/07
MFG		
QUALITY		
ISSUED		
DRAWING FILE:	52c-1035-x-6.dwg	
MODEL / ASSEMBLY FILE:	ZTG(D) (600-800A)	
# CTQs		



TITLE  
**ENCLOSURE SEISMIC MTG. DETAIL**

FIRST MADE FOR: -	SIZE	CAGE CODE	DWG NO
	B		52C-1035
SCALE: N/A	SHEET		6 OF 6

THIRD ANGLE PROJECTION

GE PROPRIETARY AND CONFIDENTIAL INFORMATION

This document is the property of General Electric Company ("GE") and contains proprietary information of GE. This document is loaned on the express condition that neither it nor the information contained therein shall be disclosed to others without the express written consent of GE Industrial Systems, and that the information shall be used by the recipient only as approved expressly by GE Industrial Systems. This document shall be returned to GE upon its request. This document may be subject to certain restrictions under U.S. export control laws and regulations.

AutoCad Generated

CRITICAL TO QUALITY CHARACTERISTIC