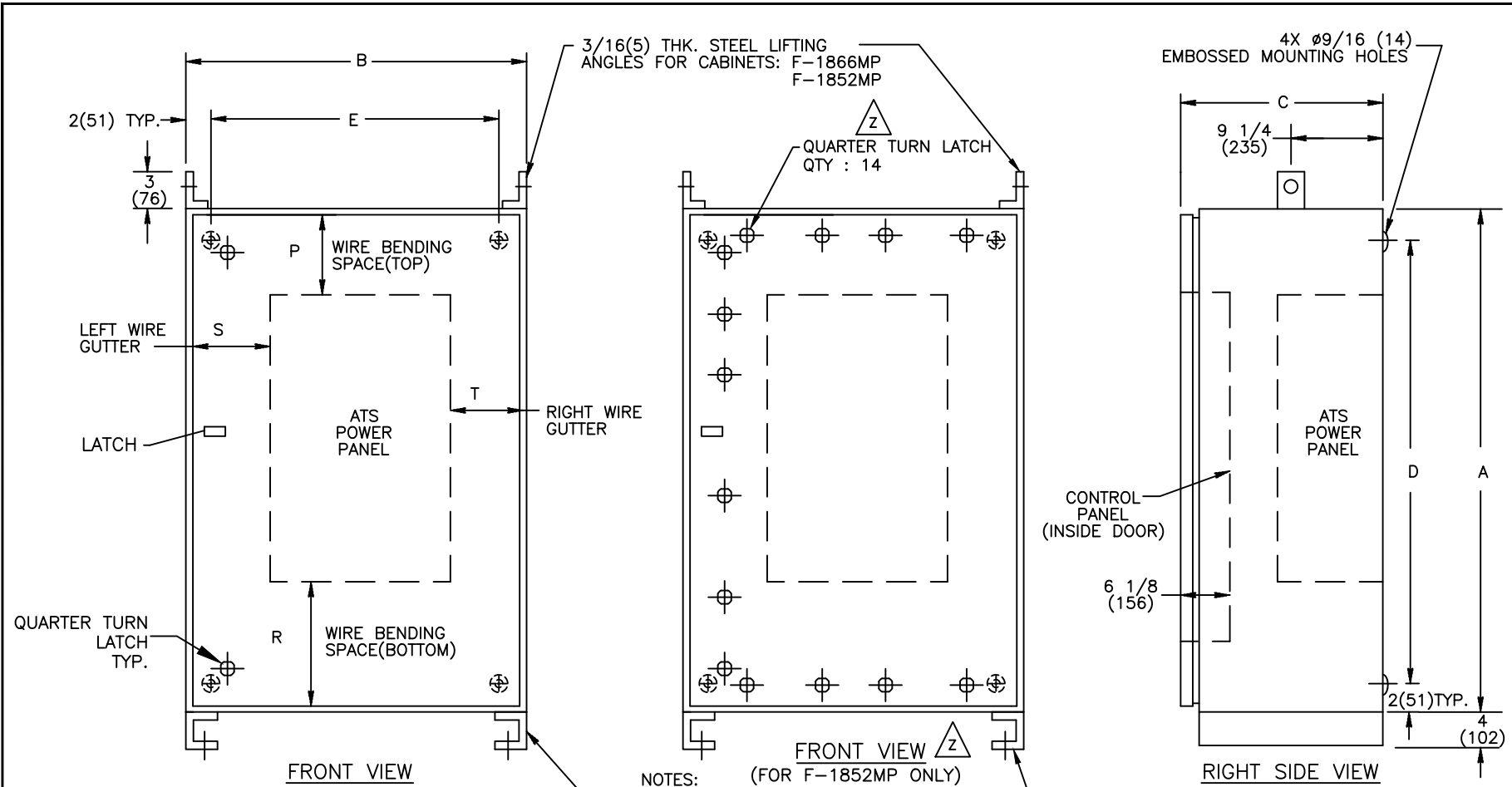


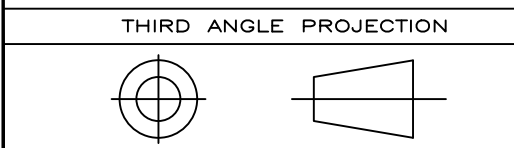
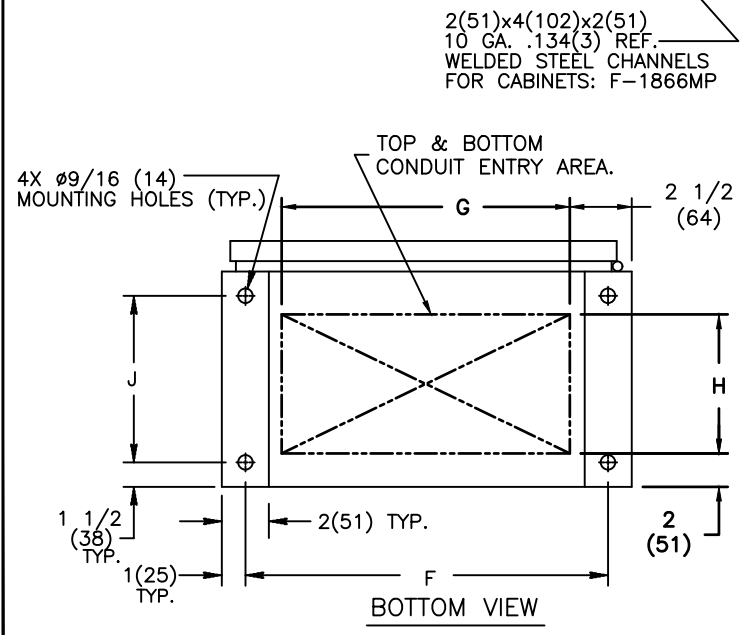
REVISIONS			
REV.	DESCRIPTION	DATE	APPROVED
2	C075076 UPDATED REBRANDING	09/13/19	AR MAS

MODEL	AMPERAGE	NO. POLES	NEMA CABINET	LUG RANGE	WIRE BENDING SPACE		WIRE GUTTERS		
					P(TOP)	R(BOTTOM)	S(LEFT)	T(RIGHT)	
ZTG	40-80	2,3	F-1828MP	#8-3/0 (8-85mm <sup>2</sup> )	7 (178)	8 (203)	3 1/2 (89)	5 7/8 (149)	
		4						4 1/2 (114)	
	100-150	2,3	F-1828MP	#6-250 MCM (13-127mm <sup>2</sup> )	7 (178)	8 (203)	3 1/2 (89)	5 7/8 (149)	
		4						4 1/2 (114)	
	225	225	2	F-1872MP	#6-250 MCM (13-127mm <sup>2</sup> )	14 3/4 (375)	14 5/8 (371)	4 7/8 (124)	7 5/8 (194)
			3					4 5/8 (117)	5 9/16 (141)
			4					2 3/4 (70)	
	260-480V	260-480V	2	F-1872MP	#6-350 MCM (13-177mm <sup>2</sup> )	14 3/4 (375)	14 5/8 (371)	4 7/8 (124)	7 5/8 (194)
			3					4 5/8 (117)	5 9/16 (141)
			4					2 3/4 (70)	
	260-600V, 400	260-600V, 400	2	F-1872MP	#4-600 MCM (21-304mm <sup>2</sup> )	14 3/4 (375)	14 5/8 (371)	4 7/8 (124)	7 5/8 (194)
			3					4 5/8 (117)	5 9/16 (141)
4			2 3/4 (70)						
600	600	2	F-1866MP	(QTY 2) #2-600 MCM (33-304mm <sup>2</sup> )	15 (381)	18 (457)	9 7/8 (251)	2 7/16 (62)	
		3					8 (203)		
		4					6 1/16 (154)		
800	800	2,3	F-1852MP	(QTY 4) #2-600 MCM (33-304mm <sup>2</sup> )	18 1/2 (470)	18 (457)	17 1/8 (435)	1 1/8 (29)	
		4					10 3/4 (273)		
ZTGD	40-80	2	F-1872MP	#8-3/0 (8-85mm <sup>2</sup> )	14 3/4 (375)	14 5/8 (371)	4 7/8 (124)	7 5/8 (194)	
		3					4 5/8 (117)	5 9/16 (141)	
		4					2 3/4 (70)		
	100-400	100-400	2	F-1872MP	#4-600 MCM (21-304mm <sup>2</sup> )	14 3/4 (375)	14 5/8 (371)	4 7/8 (124)	7 5/8 (194)
			3					4 5/8 (117)	5 9/16 (141)
			4					2 3/4 (70)	
	600	600	2	F-1866MP	(QTY 2) #2-600 MCM (33-304mm <sup>2</sup> )	15 (381)	18 (457)	9 7/8 (251)	2 7/16 (62)
			3					8 (203)	
			4					6 1/16 (154)	
	800	800	2,3	F-1852MP	(QTY 4) #2-600 MCM (33-304mm <sup>2</sup> )	18 1/2 (470)	18 (457)	17 1/8 (435)	1 1/8 (29)
			4					10 3/4 (273)	



- NOTES:  
(FOR F-1852MP ONLY)
- MATERIAL:
    - A. 12 GA. 1018 HRS .1046(3) REF. (F-1852MP)
    - B. 14 GA. 1018 HRS .074(2) REF. (F-1866MP, F-1872MP)
    - C. 16 GA. 1018 HRS .0598(1.5) REF. (F-1828MP)
 UNLESS OTHERWISE NOTED.
  - FINISH: ANSI 61 GREY
  - ALL DIMENSIONS ARE FOR REFERENCE ONLY AND SHOWN IN INCHES(MILLIMETERS).
  - CONSTRUCTION PER UL 1008
  - A ZTG 40A-225A WHEN ORDERED WITH THE FOLLOWING OPTIONS WILL REQUIRE A LARGER ENCLOSURE OF 46"H X 24"W X 14"D: A62(T), DIGITAL METER, HT, OCVR-1SG, OCVR-1SS.
  - FOR SEISMIC MOUNTING, REFER TO SHEET NO.6.
  - 260A 600V ORDER UTILIZE LARGER (400A) PANEL

CABINET DIMENSIONS									
CABINET	A	B	C	D	E	F	G	H	J
F-1872MP	46 (1168)	24 (610)	14 (356)	42 (1067)	20 (508)	--	19 (483)	6 (152)	--
F-1866MP	62 (1575)		19 1/2 (495)	58 (1473)	20 (508)	22 (559)		11 (279)	15 1/2 (394)
F-1852MP	70 (1778)	40 (1016)		66 (1676)	36 (914)	38 (965)	35 (889)	4 (102)	
F-1828MP	24 (610)	18 (457)	11 (279)	20 (508)	16 (406)	--	13 (330)		



**ABB PROPRIETARY AND CONFIDENTIAL INFORMATION**  
 The information contained in the document has to be kept strictly confidential. Any unauthorized use, reproduction, distribution or disclosure to third parties is strictly forbidden. ABB reserves all rights regarding intellectual Property Rights.  
 Copyright 2018 ABB. All rights reserved

AutoCad Generated

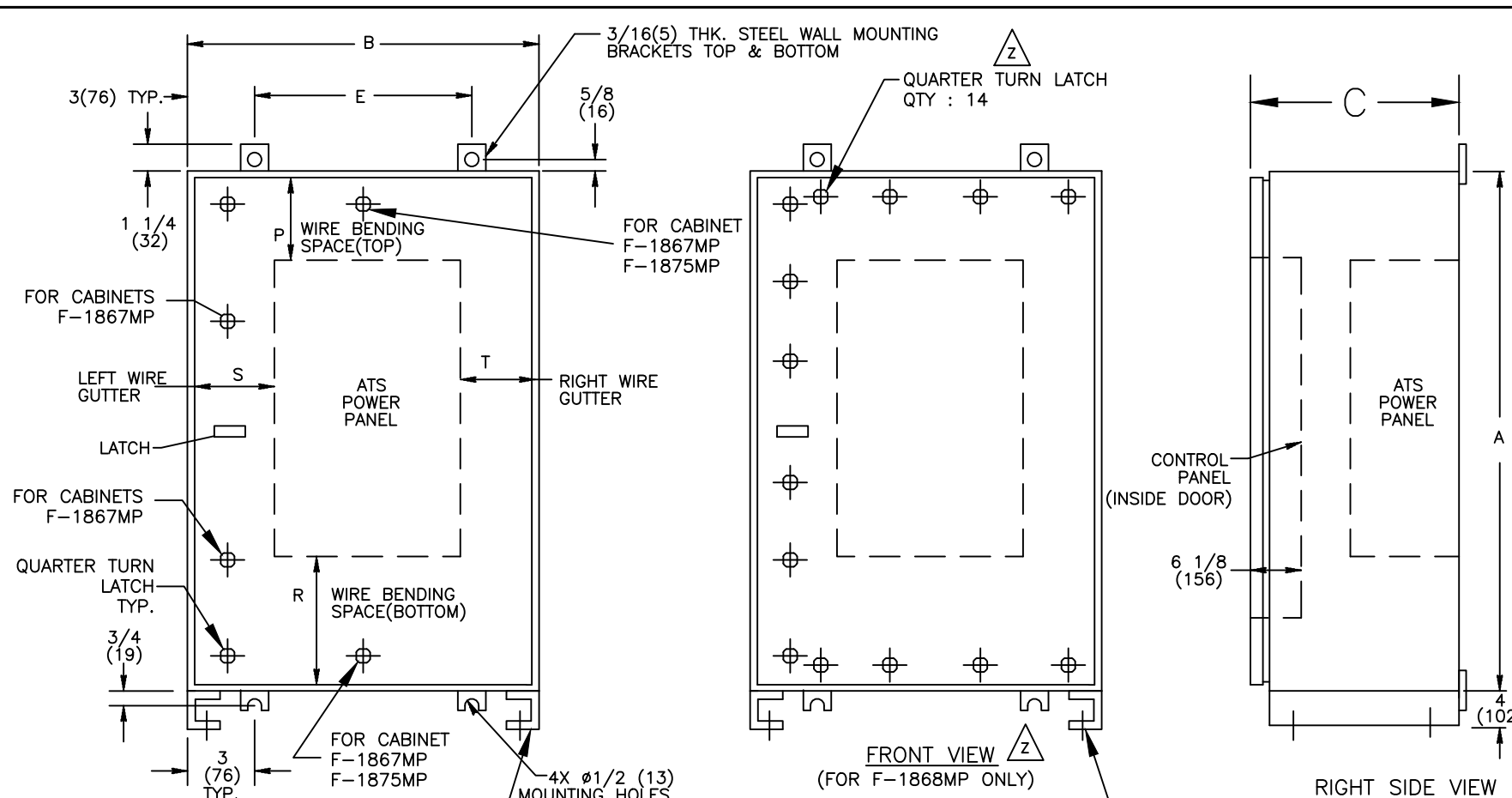
SIGNATURES	DATE
MODEL EC	11/01/00
ENGRG SB	11/01/00

**ABB**

TRANSFER SWITCHES  
NEMA 1 ENCLOSURE

FIRST MADE FOR: -  
SIZE CAGE CODE DWG NO  
B 52C-1035

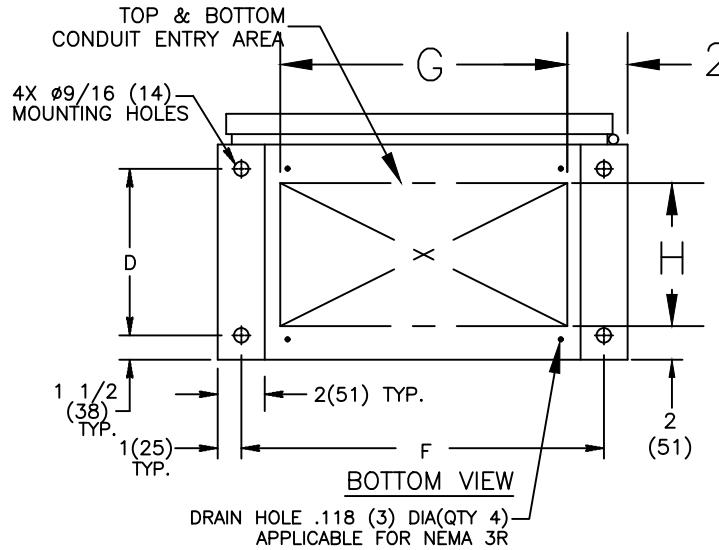
SCALE: N/A SHEET 1 OF 6



MODEL	AMPERAGE	NO. POLES	NEMA CABINET	LUG RANGE	WIRE BENDING SPACE		WIRE GUTTERS	
					P(TOP)	R(BOTTOM)	S(LEFT)	T(RIGHT)
ZTG	40-80	2,3	F-1829MP	#8-3/0 (8-85mm <sup>2</sup> )	7 (178)	8 (203)	3 1/2 (89)	5 7/8 (149)
		4						4 1/2 (114)
	100-150	2,3	F-1875MP	#6-250 MCM (13-127mm <sup>2</sup> )	14 3/4 (375)	14 5/8 (371)	4 7/8 (124)	5 7/8 (149)
		4						4 1/2 (114)
	225	2	F-1867MP	#6-250 MCM (13-127mm <sup>2</sup> )	15 (381)	18 (457)	9 7/8 (251)	7 5/8 (194)
		3						4 5/8 (117)
		4						2 3/4 (70)
	260-480V	2	F-1875MP	#6-350 MCM (13-177mm <sup>2</sup> )	14 3/4 (375)	14 5/8 (371)	4 7/8 (124)	7 5/8 (194)
		3						4 5/8 (117)
		4						2 3/4 (70)
	260-600V, 400	2	F-1867MP	#4-600 MCM (21-304mm <sup>2</sup> )	15 (381)	18 (457)	9 7/8 (251)	7 5/8 (194)
		3						4 5/8 (117)
4		2 3/4 (70)						
600	2	F-1867MP	(QTY 2) #2-600 MCM (33-304mm <sup>2</sup> )	15 (381)	18 (457)	8 (203)	2 7/16 (62)	
	3						6 1/16 (154)	
	4						6 1/16 (154)	
800	2,3	F-1868MP	(QTY 4) #2-600 MCM (33-304mm <sup>2</sup> )	18 1/2 (470)	18 (457)	17 1/8 (435)	1 1/8 (29)	
	4						10 3/4 (273)	
							10 3/4 (273)	
ZTGD	40-80	2	F-1875MP	#8-3/0 (8-85mm <sup>2</sup> )	14 3/4 (375)	14 5/8 (371)	4 7/8 (124)	7 5/8 (194)
		3						4 5/8 (117)
		4						2 3/4 (70)
	100-400	2	F-1867MP	#4-600 MCM (21-304mm <sup>2</sup> )	14 3/4 (375)	14 5/8 (371)	9 7/8 (251)	7 5/8 (194)
		3						4 5/8 (117)
		4						2 3/4 (70)
	600	2	F-1867MP	(QTY 2) #2-600 MCM (33-304mm <sup>2</sup> )	15 (381)	18 (457)	8 (203)	2 7/16 (62)
		3						6 1/16 (154)
		4						6 1/16 (154)
	800	2,3	F-1868MP	(QTY 4) #2-600 MCM (33-304mm <sup>2</sup> )	18 1/2 (470)	18 (457)	17 1/8 (435)	1 1/8 (29)
		4						10 3/4 (273)
								10 3/4 (273)

- NOTES:
- MATERIAL:
    - A. 12 GA. .104(3) REF. 1018 HRS (F-1867MP, F-1868MP)
    - B. 14 GA. .074(2) REF. 1018 HRS (F-1875MP)
    - C. 16 GA. .0598(1.5) REF. 1018 HRS (F-1829MP)
 UNLESS OTHERWISE NOTED.
  - FINISH: ANSI 61 GREY
  - ALL DIMENSIONS ARE FOR REFERENCE ONLY AND SHOWN IN INCHES(MILLIMETERS).
  - CONSTRUCTION PER UL 1008
  - A ZTG 40A-225A WHEN ORDERED WITH THE FOLLOWING OPTIONS WILL REQUIRE A LARGER ENCLOSURE OF 46"H X 24"W X 14 1/4"D: A62(T), DIGITAL METER, HT, OCVR-1SG, OCVR-1SS.
  - FOR SEISMIC MOUNTING, REFER TO SHEET NO.6.
  - 260A 600V ORDER UTILIZE LARGER (400A) PANEL

CABINET	A	B	C	D	E	F	G	H
F-1867MP	62 (1575)	24 (610)	19 3/4 (502)	15 1/2 (394)	18 (457)	22 (559)	19 (483)	11 (279)
F-1868MP	70 (1778)	40 (1016)	34 (864)	38 (965)	34 (864)	38 (965)	35 (889)	
F-1875MP	46 (1168)	24 (610)	14 1/4 (362)	--	18 (457)	--	19 (483)	6 (152)
F-1829MP	24 (610)	18 (457)	11 1/4 (286)	--	12 (305)	--	13 (330)	4 (102)

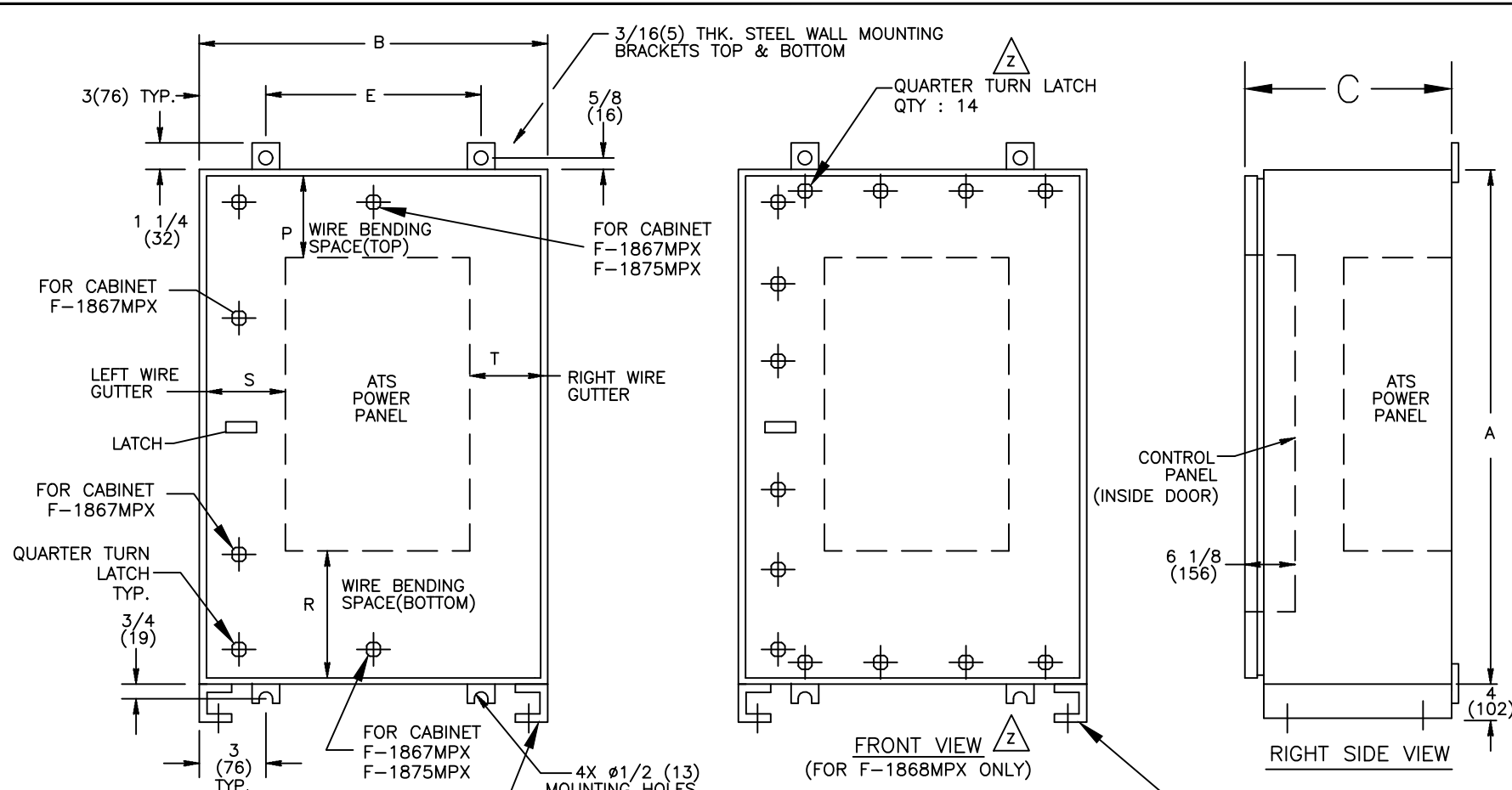


SIGNATURES		DATE	<b>ABB</b> TRANSFER SWITCHES NEMA 3R, 4 & 12 ENCLOSURES
MODEL	EC	11/01/00	
DETAIL			
CHECKED			
ENGRG	SB	11/01/00	
MFG			
QUALITY			TITLE
ISSUED			FIRST MADE FOR:
DRAWING FILE:	52c-1035-z-2.dwg	SIZE	CAGE CODE
MODEL / ASSEMBLY FILE:	ZTG(D) (40-800A)	B	DWG NO
# CTQs	⊕ CRITICAL TO QUALITY CHARACTERISTIC	SCALE:	N/A
			SHEET 2 OF 6

THIRD ANGLE PROJECTION

**ABB PROPRIETARY AND CONFIDENTIAL INFORMATION**  
 The information contained in the document has to be kept strictly confidential. Any unauthorized use, reproduction, distribution or disclosure to third parties is strictly forbidden. ABB reserves all rights regarding intellectual Property Rights. Copyright 2018 ABB. All rights reserved.

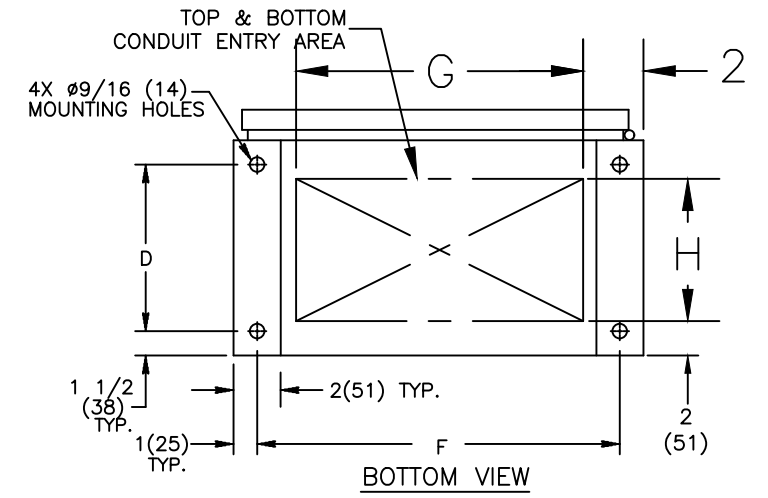
AutoCad Generated



MODEL	AMPERAGE	NO. POLES	NEMA CABINET	LUG RANGE	WIRE BENDING SPACE		WIRE GUTTERS		
					P(TOP)	R(BOTTOM)	S(LEFT)	T(RIGHT)	
ZTG	40-80	2,3	F-1829MPX	#8-3/0 (8-85mm <sup>2</sup> )	7 (178)	8 (203)	3 1/2 (89)	5 7/8 (149)	
		4						4 1/2 (114)	
	100-150	2,3	F-1829MPX	#6-250 MCM (13-127mm <sup>2</sup> )	7 (178)	8 (203)	3 1/2 (89)	5 7/8 (149)	
		4						4 1/2 (114)	
	225	2	F-1829MPX	#6-250 MCM (13-127mm <sup>2</sup> )	7 (178)	8 (203)	3 1/2 (89)	4 7/8 (124)	
								3	4 5/8 (117)
									4
	260-480V	2	F-1875MPX	#6-350 MCM (13-177mm <sup>2</sup> )	14 3/4 (375)	14 5/8 (371)	4 7/8 (124)	7 5/8 (194)	
								3	4 5/8 (117)
									4
	260-600V, 400	2	F-1875MPX	#4-600 MCM (21-304mm <sup>2</sup> )	14 3/4 (375)	14 5/8 (371)	4 7/8 (124)	7 5/8 (194)	
								3	4 5/8 (117)
4									2 3/4 (70)
600	2	F-1867MPX	(QTY 2) #2-600 MCM (33-304mm <sup>2</sup> )	15 (381)	18 (457)	9 7/8 (251)	8 (203)		
							3	6 1/16 (154)	
								4	2 7/16 (62)
800	2,3	F-1868MPX	(QTY 4) #2-600 MCM (33-304mm <sup>2</sup> )	18 1/2 (470)	18 (457)	17 1/8 (435)	1 1/8 (29)		
							4	10 3/4 (273)	
ZTGD	40-80	2	F-1875MPX	#8-3/0 (8-85mm <sup>2</sup> )	14 3/4 (375)	14 5/8 (371)	4 7/8 (124)	7 5/8 (194)	
		3						4 5/8 (117)	
								4	2 3/4 (70)
	100-400	2	F-1875MPX	#4-600 MCM (21-304mm <sup>2</sup> )	14 3/4 (375)	14 5/8 (371)	4 7/8 (124)	7 5/8 (194)	
								3	4 5/8 (117)
									4
	600	2	F-1867MPX	(QTY 2) #2-600 MCM (33-304mm <sup>2</sup> )	15 (381)	18 (457)	9 7/8 (251)	8 (203)	
								3	6 1/16 (154)
									4
	800	2,3	F-1868MPX	(QTY 4) #2-600 MCM (33-304mm <sup>2</sup> )	18 1/2 (470)	18 (457)	17 1/8 (435)	1 1/8 (29)	
								4	10 3/4 (273)

- NOTES:**
- MATERIAL:
    - A. 12 GA. .104(3) REF. 304 STAINLESS STEEL (F-1867MPX, F-1868MPX)
    - B. 14 GA. .074(2) REF. 304 STAINLESS STEEL (F-1875MPX)
    - C. 16 GA. .0598(1.5) REF. 304 STAINLESS STEEL (F-1829MPX)
 UNLESS OTHERWISE NOTED.
  - FINISH: NONE
  - ALL DIMENSIONS ARE FOR REFERENCE ONLY AND SHOWN IN INCHES(MILLIMETERS).
  - CONSTRUCTION PER UL 1008
  - A ZTG 40A-225A WHEN ORDERED WITH THE FOLLOWING OPTIONS WILL REQUIRE A LARGER ENCLOSURE OF 46"H X 24"W X 14 1/4"D: A62(T), DIGITAL METER, HT, OCVR-1SG, OCVR-1SS.
  - FOR SEISMIC MOUNTING, REFER TO SHEET NO.6.
  - 260A 600V ORDER UTILIZE LARGER (400A) PANEL

CABINET	CABINET DIMENSIONS							
	A	B	C	D	E	F	G	H
F-1867MPX	62 (1575)	24 (610)	19 3/4 (502)	15 1/2 (394)	18 (457)	22 (559)	19 (483)	11 (279)
F-1868MPX	70 (1778)	40 (1016)	15 1/2 (394)	34 (864)	38 (965)	35 (889)		
F-1875MPX	46 (1168)	24 (610)	14 1/4 (362)	--	18 (457)	--	19 (483)	6 (152)
F-1829MPX	24 (610)	18 (457)	11 1/4 (286)	--	12 (305)	--	13 (330)	4 (102)



**ABB**

**TRANSFER SWITCHES  
NEMA 4X ENCLOSURES**

SIGNATURES		DATE	TITLE
MODEL	EC	11/01/00	
DETAIL			FIRST MADE FOR:
CHECKED			
ENGRG	SB	11/01/00	CAGE CODE
MFG			DWG NO
QUALITY			
ISSUED			
DRAWING FILE:	52c-1035-z-3.dwg		
MODEL / ASSEMBLY FILE:	ZTG(D) (40-800A)		
# CTQs			

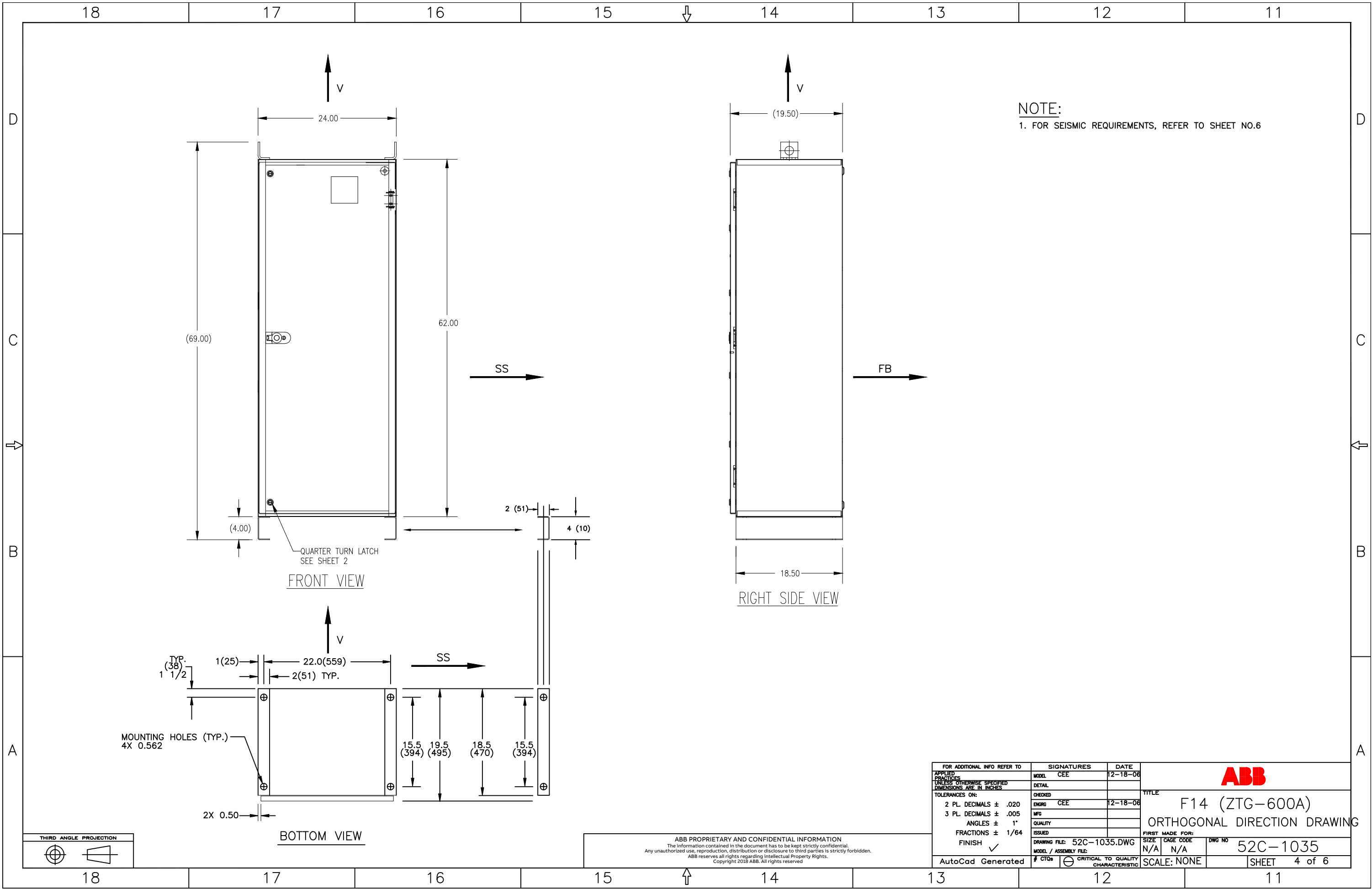
SCALE: N/A      SHEET 3 OF 6

THIRD ANGLE PROJECTION

**ABB PROPRIETARY AND CONFIDENTIAL INFORMATION**

The information contained in the document has to be kept strictly confidential. Any unauthorized use, reproduction, distribution or disclosure to third parties is strictly forbidden. ABB reserves all rights regarding intellectual Property Rights. Copyright 2018 ABB. All rights reserved.

AutoCad Generated



**NOTE:**  
1. FOR SEISMIC REQUIREMENTS, REFER TO SHEET NO.6

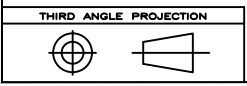
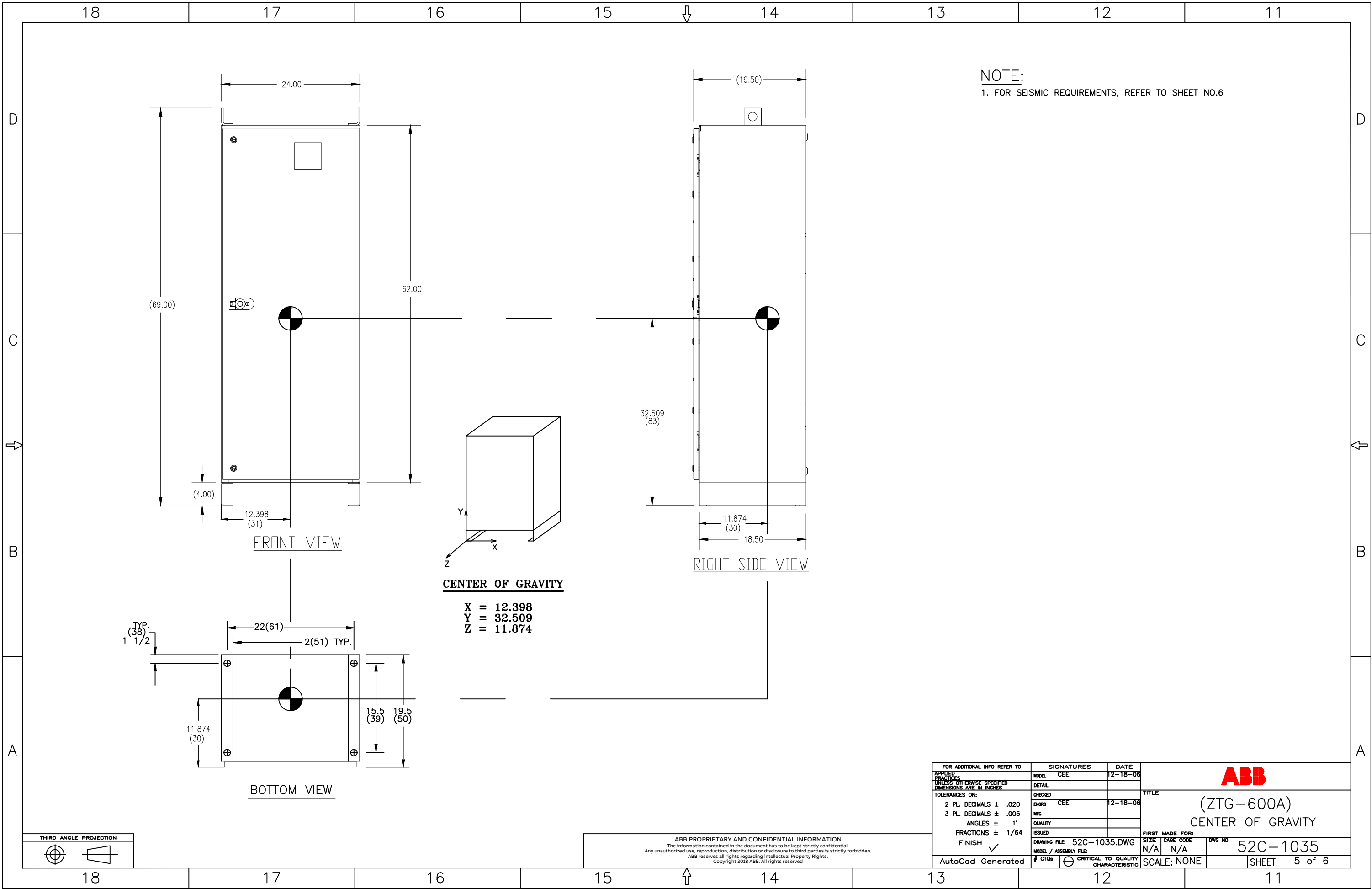


ABB PROPRIETARY AND CONFIDENTIAL INFORMATION  
The information contained in the document has to be kept strictly confidential.  
Any unauthorized use, reproduction, distribution or disclosure to third parties is strictly forbidden.  
ABB reserves all rights regarding Intellectual Property Rights.  
Copyright 2018 ABB. All rights reserved

FOR ADDITIONAL INFO REFER TO	SIGNATURES	DATE	TITLE		
APPLIED PRACTICES	MODEL: CEE	12-18-06	<b>ABB</b> F14 (ZTG-600A) ORTHOGONAL DIRECTION DRAWING		
UNLESS OTHERWISE SPECIFIED DIMENSIONS ARE IN INCHES	DETAIL				
TOLERANCES ON:	CHECKED		FIRST MADE FOR:		
2 PL. DECIMALS ± .020	ENGRG: CEE	12-18-06	SIZE	CAGE CODE	DWG NO
3 PL. DECIMALS ± .005	MFG		N/A	N/A	52C-1035
ANGLES ± 1°	QUALITY		SCALE: NONE		
FRACTIONS ± 1/64	ISSUED		SHEET 4 of 6		
FINISH ✓	DRAWING FILE: 52C-1035.DWG				
AutoCad Generated	MODEL / ASSEMBLY FILE				
	# CTQ#	⊕ CRITICAL TO QUALITY CHARACTERISTIC			

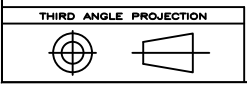


**NOTE:**  
 1. FOR SEISMIC REQUIREMENTS, REFER TO SHEET NO.6

**CENTER OF GRAVITY**  
 X = 12.398  
 Y = 32.509  
 Z = 11.874

FOR ADDITIONAL INFO REFER TO	SIGNATURES	DATE	<b>ABB</b>		
APPLIED PRACTICES	MODEL CEE	12-18-08			
UNLESS OTHERWISE SPECIFIED DIMENSIONS ARE IN INCHES	DETAIL		SIZE	CAGE CODE	DWG NO
TOLERANCES ON:	CHECKED		N/A	N/A	52C-1035
2 PL. DECIMALS ± .020	ENGRG CEE	12-18-08	FIRST MADE FOR:		
3 PL. DECIMALS ± .005	MFG				
ANGLES ± 1°	QUALITY		DRAWING FILE: 52C-1035.DWG		
FRACTIONS ± 1/64	ISSUED				
FINISH ✓			SCALE: NONE		
AutoCad Generated	# CTQ#	⊕ CRITICAL TO QUALITY CHARACTERISTIC	SHEET 5 of 6		

ABB PROPRIETARY AND CONFIDENTIAL INFORMATION  
 The information contained in the document has to be kept strictly confidential.  
 Any unauthorized use, reproduction, distribution or disclosure to third parties is strictly forbidden.  
 ABB reserves all rights regarding intellectual Property Rights.  
 Copyright 2018 ABB. All rights reserved



**NOTES:**

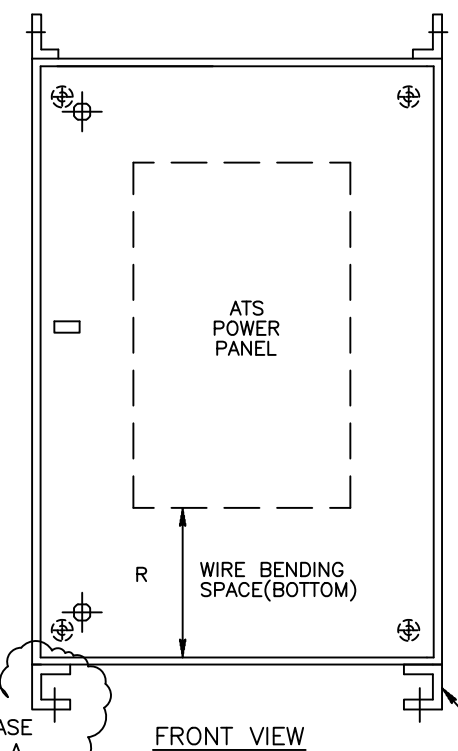
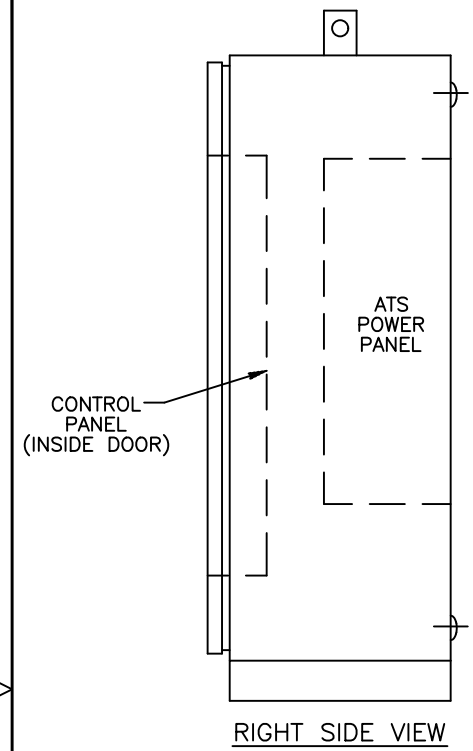
1. REFER SHEETS 1 TO 3 FOR DETAIL ENCLOSURE DIMENSIONS.
2. SEISMIC DATA OF MOST VULNERABLE ATS CONSTRUCTION WITHIN ITS PLATFORM:

MAXIMUM DEFLECTION AT TOP OF GEAR:	dss=0.69 INCHES (18 mm) dfb=0.21 INCHES (5 mm)
QUALIFIED BY:	TIME HISTORY SHAKE TABLE TEST IEEE-693-2005-HIGHx2.5 (64 mm) IBC-2003-300%G
RESONANCE FREQUENCIES:	fss=10.9 Hz ffb=19.5 Hz fv=>33.0 Hz
MAXIMUM REACTION TO ANY BOLT:	Vss=945 LBS (430 KG) SHEAR (DEAD LOAD +/- SEISMIC) Vfb=945 LBS (430 KG) SHEAR Tv=1872 LBS (851 KG) UP Pv=2613 LBS (1188 KG) DOWN

3. BOLT ENCLOSURE FROM C-CHANNEL BASE (SEE DETAIL A) USING THE FOLLOWING SEISMIC CERTIFIED MOUNTING HARDWARE PER MOUNTING HOLE:  
(HARDWARE PROVIDED BY INSTALLER).

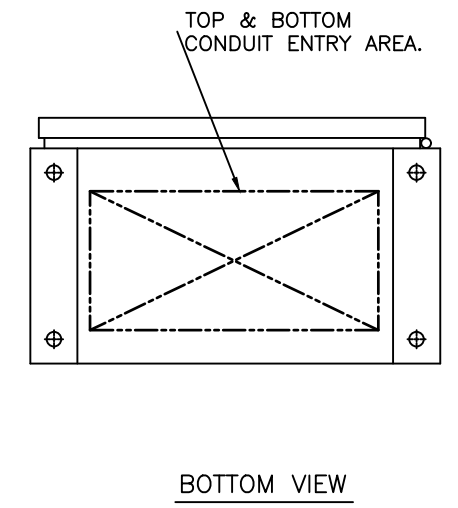
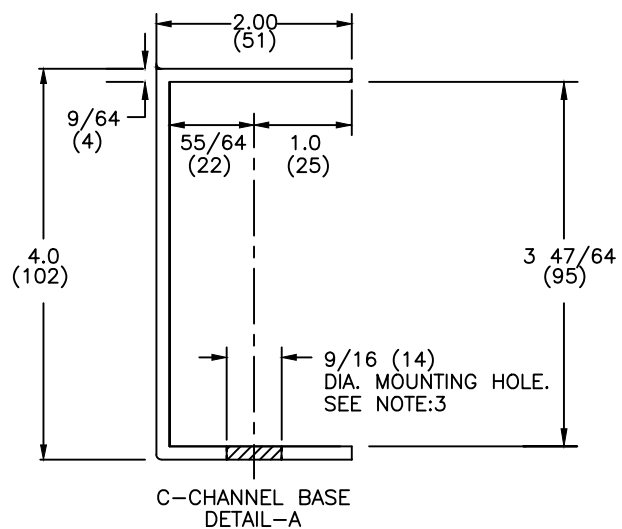
- 1/2-13 GRADE 5 BOLT TORQUE TO 15 FT-LBS. (95 NEWTON METERS).
- US STANDARD HIGH STRENGTH ZINC-PLATED FLAT WASHER 5/8 (16) I.D. AND 1-1/2 (38) O.D.
- 1/2 (13) HELICAL SPRING LOCK WASHER.

AMP	POLE	WEIGHT LB (Kg)	
		NEMA-1	NEMA-3R,4(X),12
40-225	2,3	69 (31)	84 (38)
	4	75 (34)	90 (41)
260	2,3	114 (51)	139 (63)
	4	125 (57)	150 (68)
400	2,3	168 (76)	193 (88)
	4	180 (82)	205 (93)
600	3	214 (97)	250 (113)
	4	224 (102)	260 (118)
800	3	460 (209)	496 (225)
	4	490 (222)	526 (239)



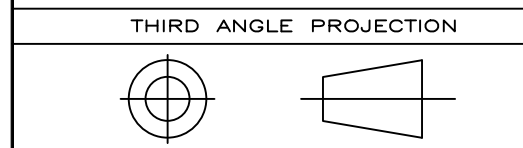
C-CHANNEL BASE  
SEE DETAIL-A

2(51)x4(102)x2(51)  
10 GA. .134(3) REF.  
REMOVABLE STEEL CHANNELS



SIGNATURES		DATE
MODEL	EC	11/01/00
DETAIL		
CHECKED		
ENGRG	CEE	1/26/07
MFG		
QUALITY		
ISSUED		
DRAWING FILE:	52c-1035-z-6.dwg	
MODEL / ASSEMBLY FILE:	ZTG(D) (600-800A)	
# CTQs	⊖	CRITICAL TO QUALITY CHARACTERISTIC

<b>ABB</b>		
TITLE		
ENCLOSURE SEISMIC MTG. DETAIL		
FIRST MADE FOR: -	SIZE	DWG NO
	B	52C-1035
SCALE: N/A	SHEET 6 OF 6	



**ABB PROPRIETARY AND CONFIDENTIAL INFORMATION**  
The information contained in the document has to be kept strictly confidential.  
Any unauthorized use, reproduction, distribution or disclosure to third parties is strictly forbidden.  
ABB reserves all rights regarding intellectual Property Rights.  
Copyright 2018 ABB. All rights reserved

AutoCad Generated