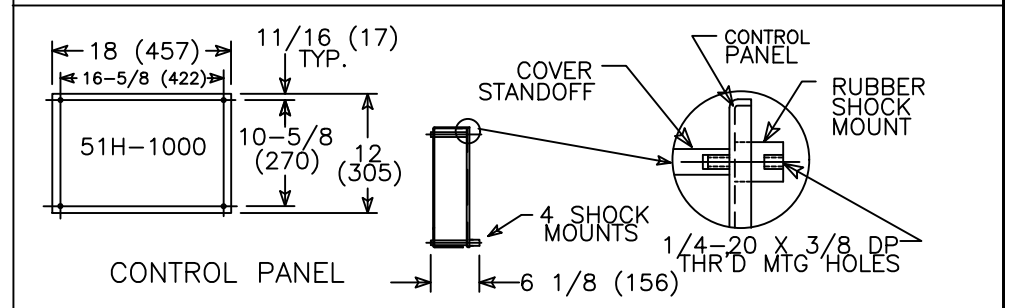
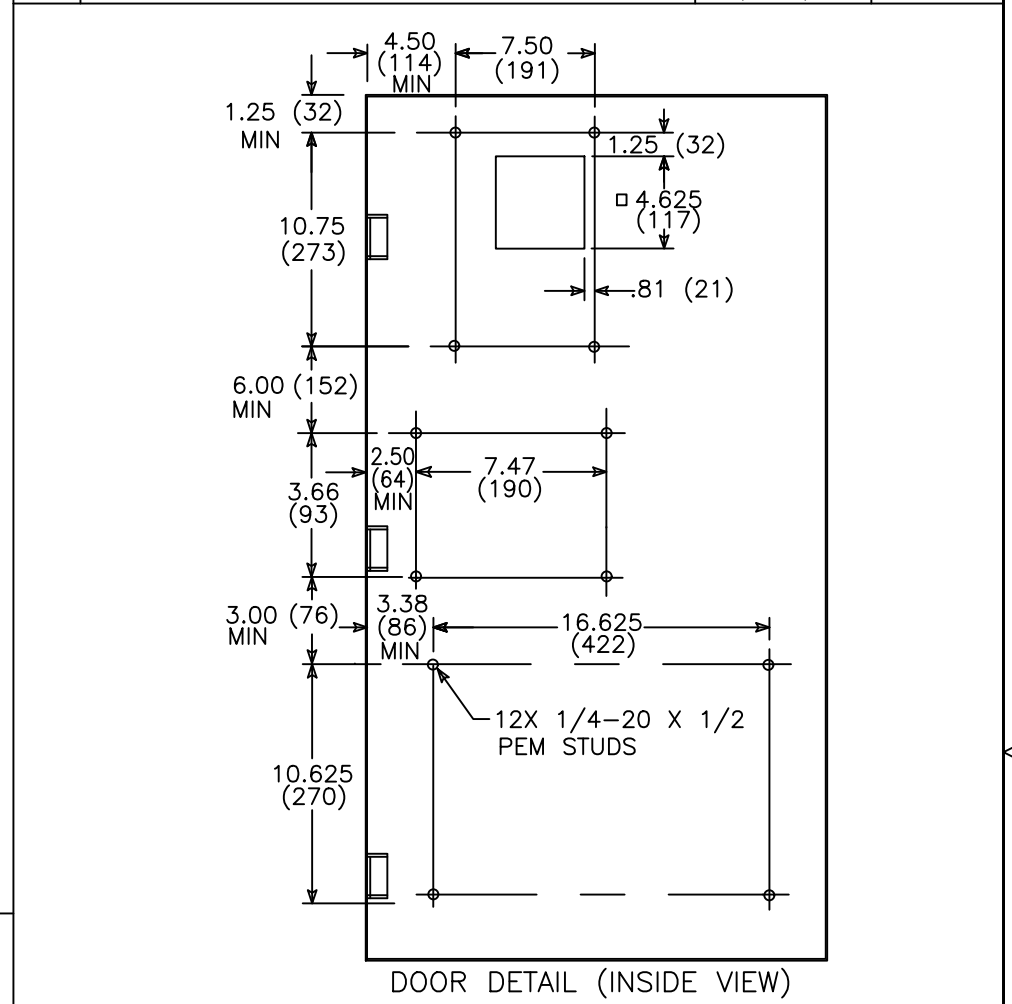
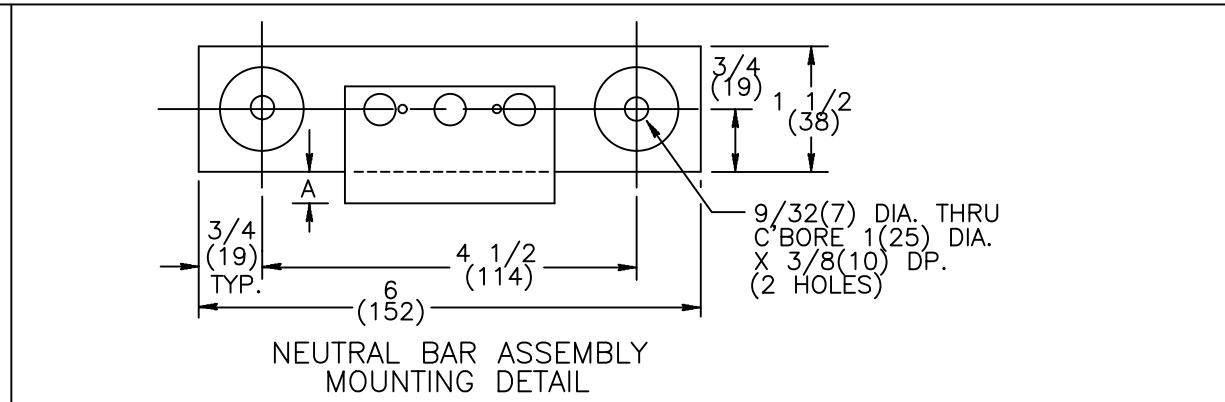


REVISIONS			
REV.	DESCRIPTION	DATE	APPROVED
1	C075076 UPDATED REBRANDING	08/26/19	AR MAS



SIGNATURES		DATE	TITLE		
MODEL	MF		<p>ABB</p> <p>TRANSFER SWITCH- FRONT LUG</p>		
DETAIL					
CHECKED					
ENGRG					
MFG					
QUALITY			FIRST MADE FOR: ZTG 30-225AA, 2 POLE		
ISSUED			SIZE	CAGE CODE	DWG NO
DRAWING FILE:			B		52C-2004 modified
MODEL / ASSEMBLY FILE: ZTG(2/3) 30-225 AMP 2P					
# CTQs		⊖ CRITICAL TO QUALITY CHARACTERISTIC	SCALE: N/A		SHEET 1 OF 1

- NOTES:
- 2-POLE SWITCH SHOWN.
 - OPEN TYPE SWITCH SUPPLIED WITH 6 FT. (1.8m) LONG HARNESS BETWEEN POWER AND CONTROL PANELS. HARNESS EXITS FROM LOWER RIGHT CORNER OF POWER PANEL.
 - DO NOT RUN CABLES IN FRONT OF SWITCH. RUN ALL CABLES ON RIGHT SIDE.
 - MAINTAIN ELECTRICAL CLEARANCE OF 1" (25mm) MIN. BETWEEN LIVE METAL PARTS AND GROUNDED METAL.
 - ALL DIMENSIONS ARE FOR REFERENCE ONLY AND SHOWN IN INCHES(MILLIMETERS).



	A	LUG	QTY.
30-100AMP	-	#14-1/0 (2-53mm ²)	3
150-225 AMP	1	#6 TO 250 MCM (13-127mm ²)	3

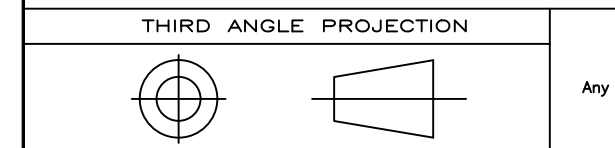
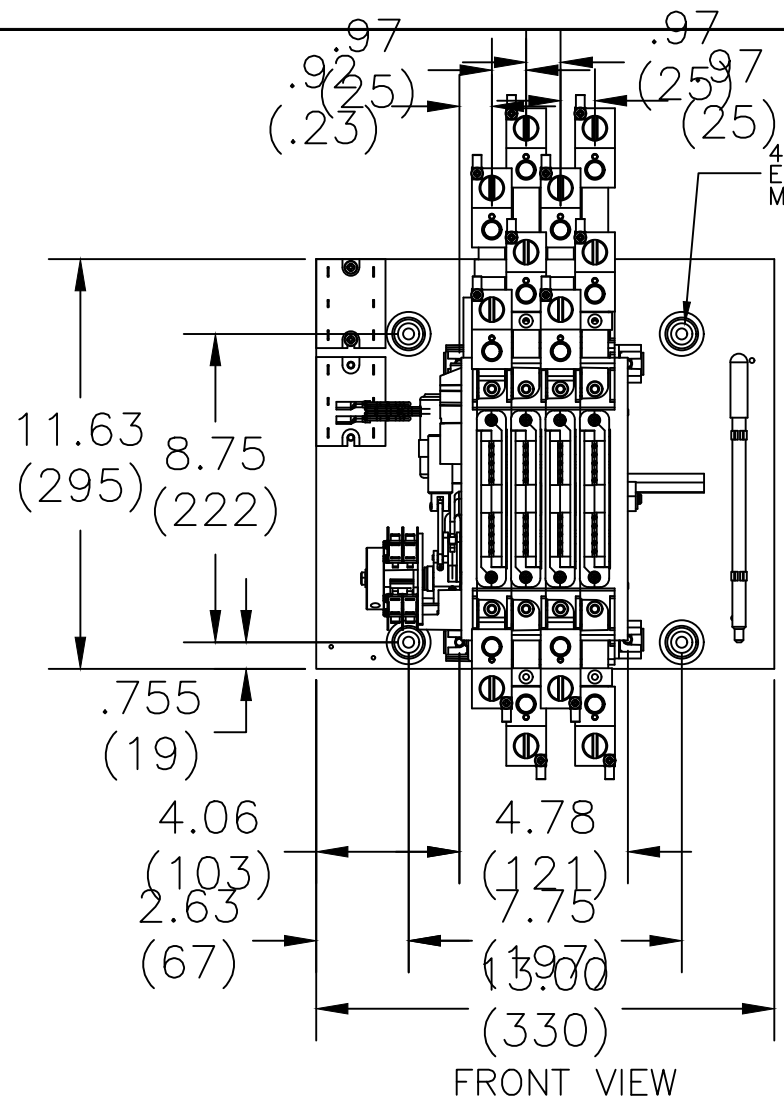


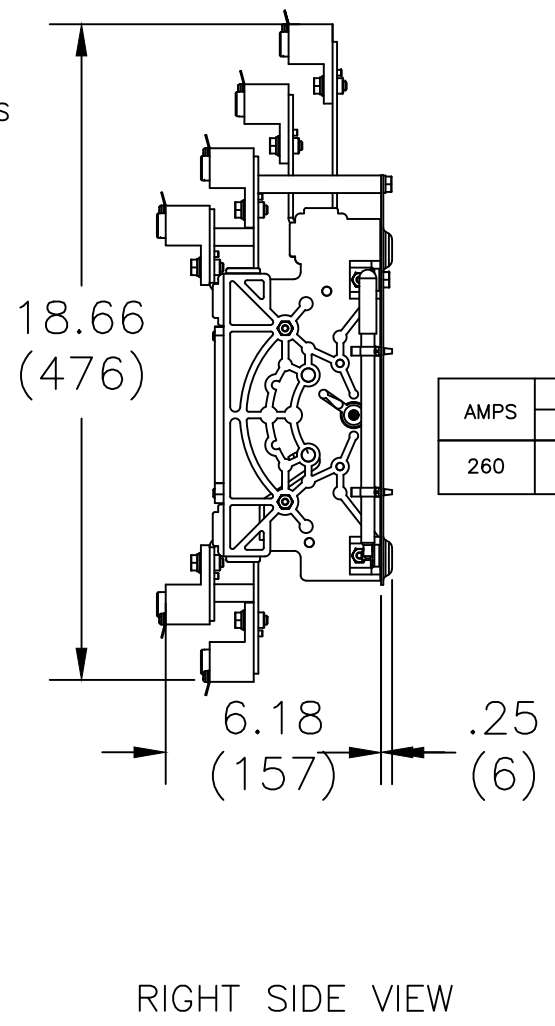
ABB PROPRIETARY AND CONFIDENTIAL INFORMATION

The information contained in the document has to be kept strictly confidential. Any unauthorized use, reproduction, distribution or disclosure to third parties is strictly forbidden. ABB reserves all rights regarding intellectual Property Rights. Copyright 2018 ABB. All rights reserved

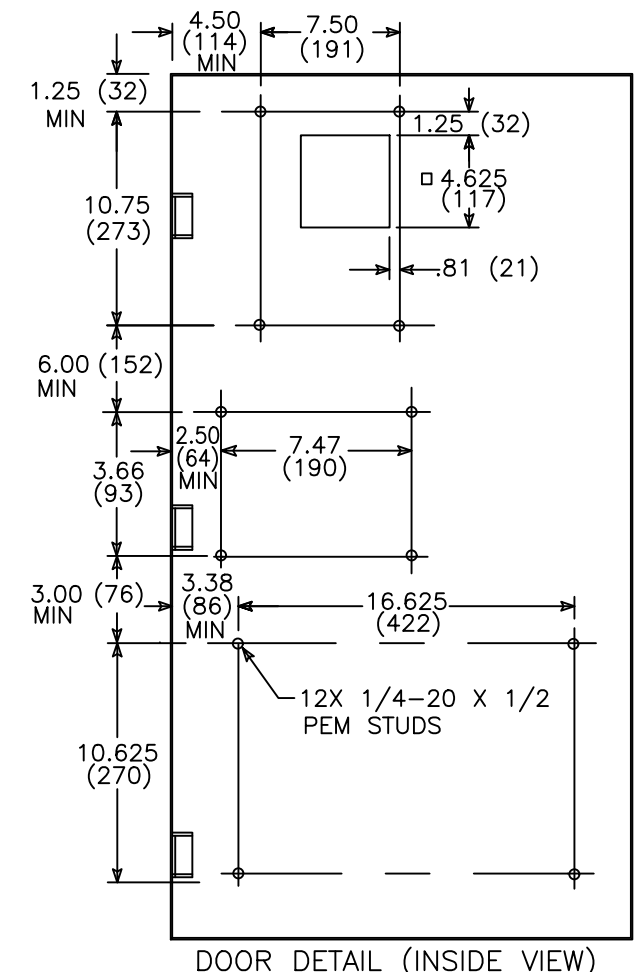
AutoCad Generated



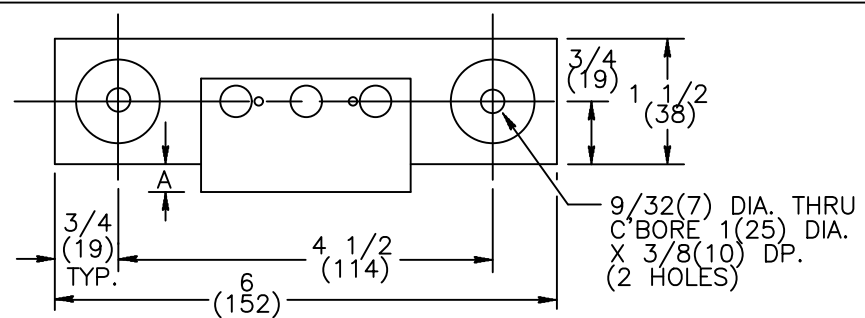
4X ϕ .312 (8)
EMBOSSED
MOUNTING HOLES



AMPS	COPPER CABLE
	LUG SIZE
260	#6 TO 350 MCM (13-177mm ²)



- NOTES:
- 4-POLE SWITCH SHOWN. FOR 2 OR 3 POLE OMIT RIGHT HAND POLES AS SHOWN.
 - OPEN TYPE SWITCH SUPPLIED WITH 6 FT. (1.8m) LONG HARNESS BETWEEN POWER AND CONTROL PANELS. HARNESS EXITS FROM LOWER RIGHT CORNER OF POWER PANEL.
 - DO NOT RUN CABLES IN FRONT OF SWITCH. RUN ALL CABLES ON RIGHT SIDE.
 - MAINTAIN ELECTRICAL CLEARANCE OF 1" (25mm) MIN. BETWEEN LIVE METAL PARTS AND GROUNDED METAL.
 - ALL DIMENSIONS ARE FOR REFERENCE ONLY AND SHOWN IN INCHES(MILLIMETERS).



	A	LUG	QTY.
260	1 (25)	#6-350 MCM (13-177mm ²)	3

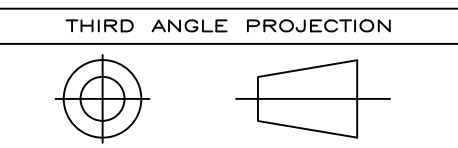
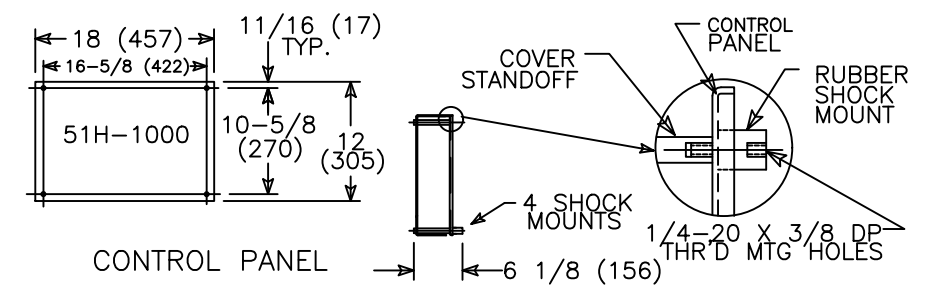


ABB PROPRIETARY AND CONFIDENTIAL INFORMATION
The information contained in the document has to be kept strictly confidential. Any unauthorized use, reproduction, distribution or disclosure to third parties is strictly forbidden. ABB reserves all rights regarding intellectual Property Rights. Copyright 2018 ABB. All rights reserved

SIGNATURES		DATE		TRANSFER SWITCH- FRONT LUG	
MODEL	GG	TITLE			
DETAIL		52C-2004			
CHECKED		SCALE: NA	SHEET 2 OF 2		
ENGRG					
MFG					
QUALITY					
ISSUED		FIRST MADE FOR: 57C-2008			
DRAWING FILE:		SIZE	CAGE CODE	DWG NO	
MODEL / ASSEMBLY FILE: ZTG3 260 AMP 2,3,4P		B		52C-2004	
# CTQs	⊖ CRITICAL TO QUALITY CHARACTERISTIC				

AutoCad Generated