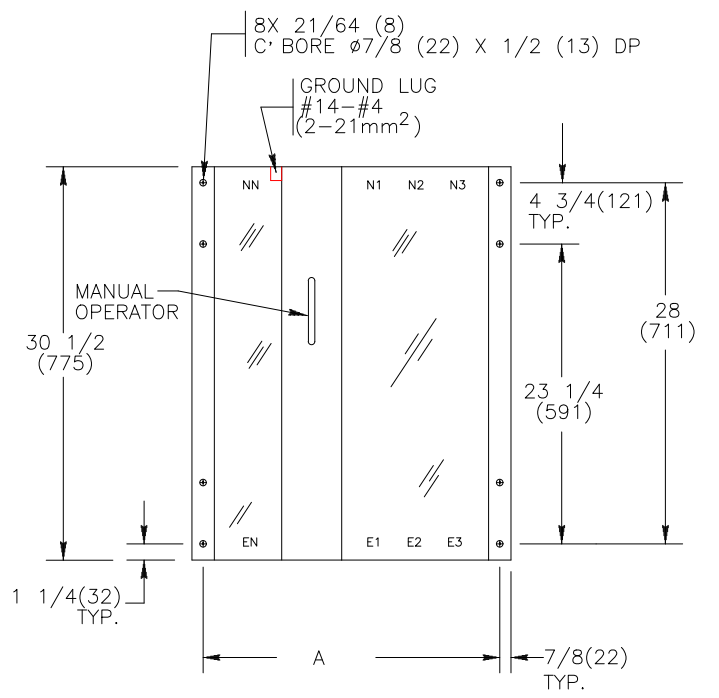
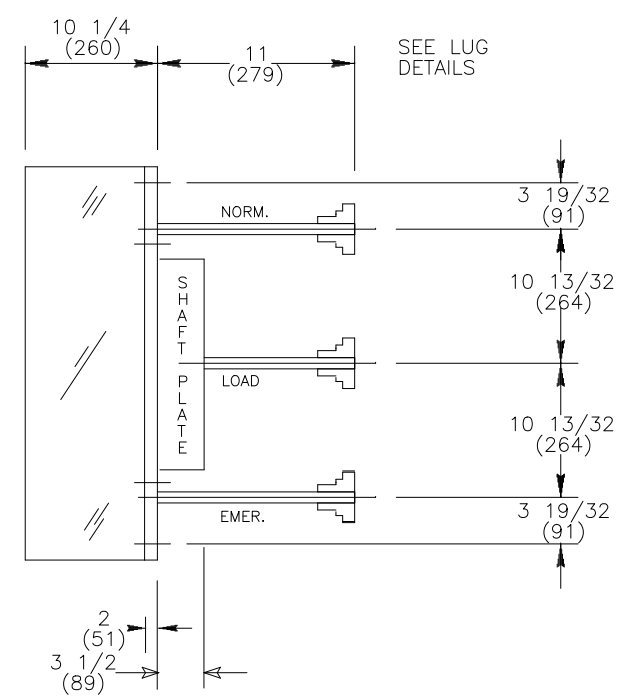


REVISIONS			
REV.	DESCRIPTION	DATE	APPROVED
1	C079254	10/18/19	GK MAS



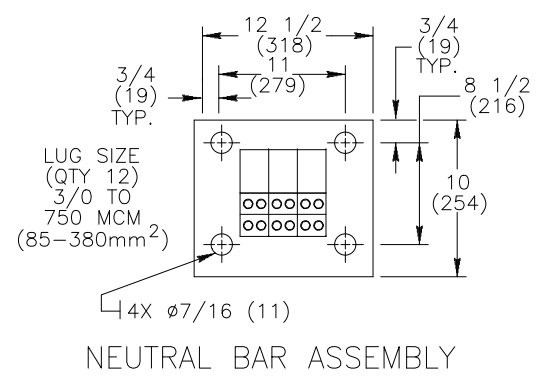
FRONT VIEW

	A
2/3-POLE	23 (584)
4-POLE	28 1/2 (724)

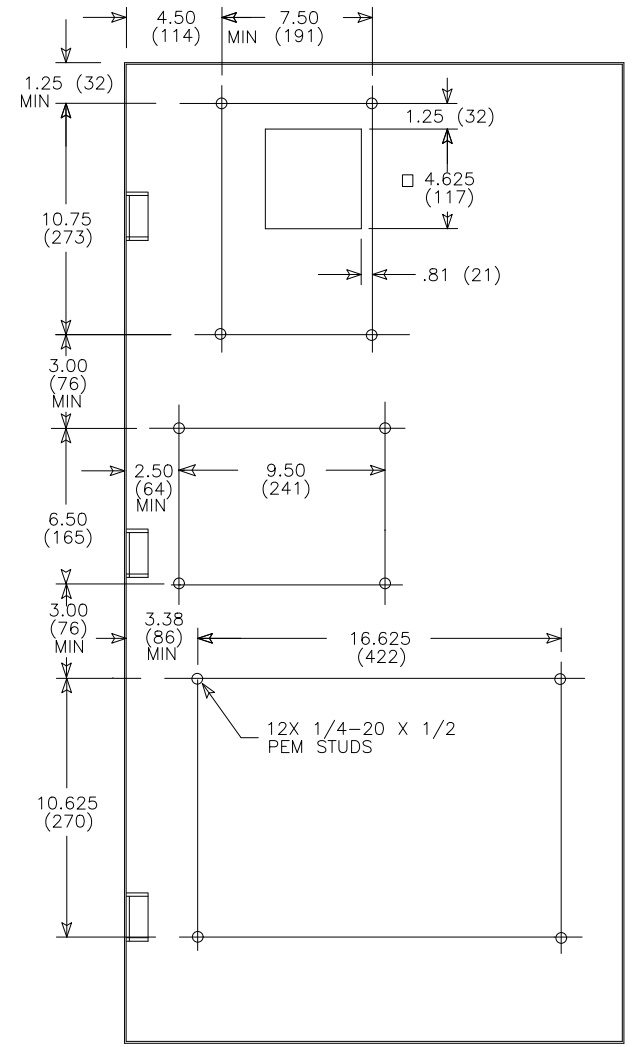


RIGHT SIDE VIEW

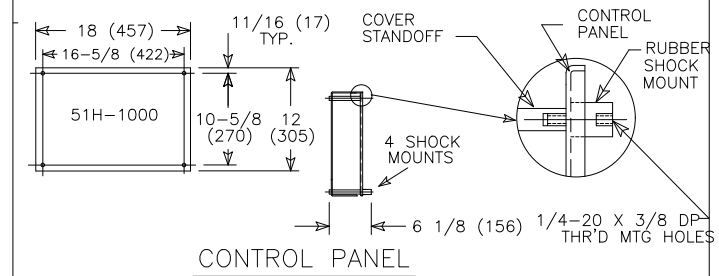
LUG SIZE: (QTY 8)#2- 600 MCM (33-304mm<sup>2</sup>)



NEUTRAL BAR ASSEMBLY



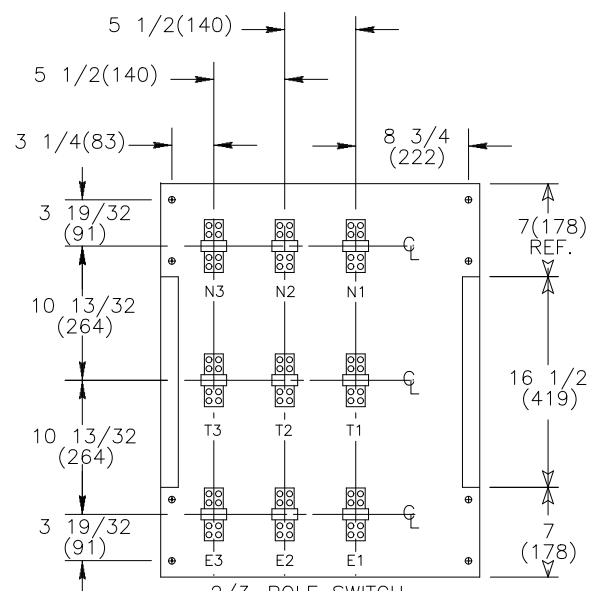
DOOR DETAIL (INSIDE VIEW)



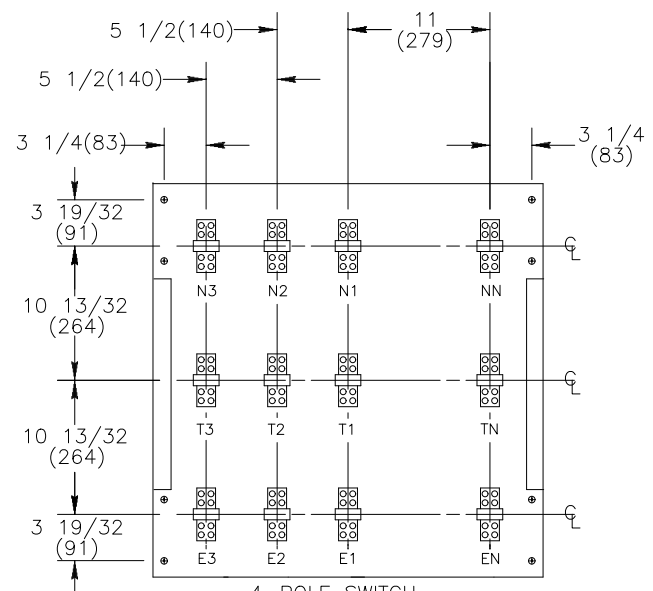
CONTROL PANEL

NOTES:

- FOR 2-POLE SWITCHES, OMIT CENTER POLE.
- OPEN TYPE SWITCH SUPPLIED WITH 6 FT. (1.8m) LONG HARNESS BETWEEN POWER AND CONTROL PANELS. HARNESS EXITS FROM LOWER RIGHT CORNER OF POWER PANEL.
- DO NOT RUN CABLES IN FRONT OF SWITCH. RUN ALL CABLES ON RIGHT SIDE.
- ALL FRACTIONAL TOLERANCES ±1/64(0.4mm) UNLESS OTHERWISE SPECIFIED.
- MAINTAIN ELECTRICAL CLEARANCE OF 1(25mm) MIN. BETWEEN LIVE METAL PARTS AND GROUNDED METAL.
- ALL DIMENSIONS ARE FOR REFERENCE ONLY AND SHOWN IN INCHES(MILLIMETERS).

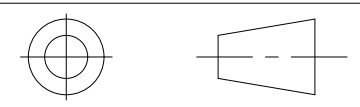


LUG DETAILS (REAR VIEW)



LUG DETAILS (REAR VIEW)

THIRD ANGLE PROJECTION



**ABB PROPRIETARY AND CONFIDENTIAL INFORMATION**  
 The information contained in the document has to be kept strictly confidential. Any unauthorized use, reproduction, distribution or disclosure to third parties is strictly forbidden.  
 ABB reserves all rights regarding intellectual Property Rights. Copyright 2018 ABB. All rights reserved

SIGNATURES		DATE
MODEL	EC	05/11/98
DETAIL		
CHECKED		
ENGRG	SB	
MFG		
QUALITY		
ISSUED		
DRAWING FILE:	52C-2009	
MODEL / ASSEMBLY FILE:	ZTCK (1600-2000 AMP) 2,3,4 POLES	
# CTOs	CRITICAL TO QUALITY CHARACTERISTIC	



TITLE		
TRANSFER SWITCH REAR LUGS		
FIRST MADE FOR:	ZTCK (1600-2000 AMP) 2,3,4 POLES	
SIZE	CAGE CODE	DWG NO
B		52C-2009
SCALE:	N/A	SHEET 1 OF 1

AutoCad Generated