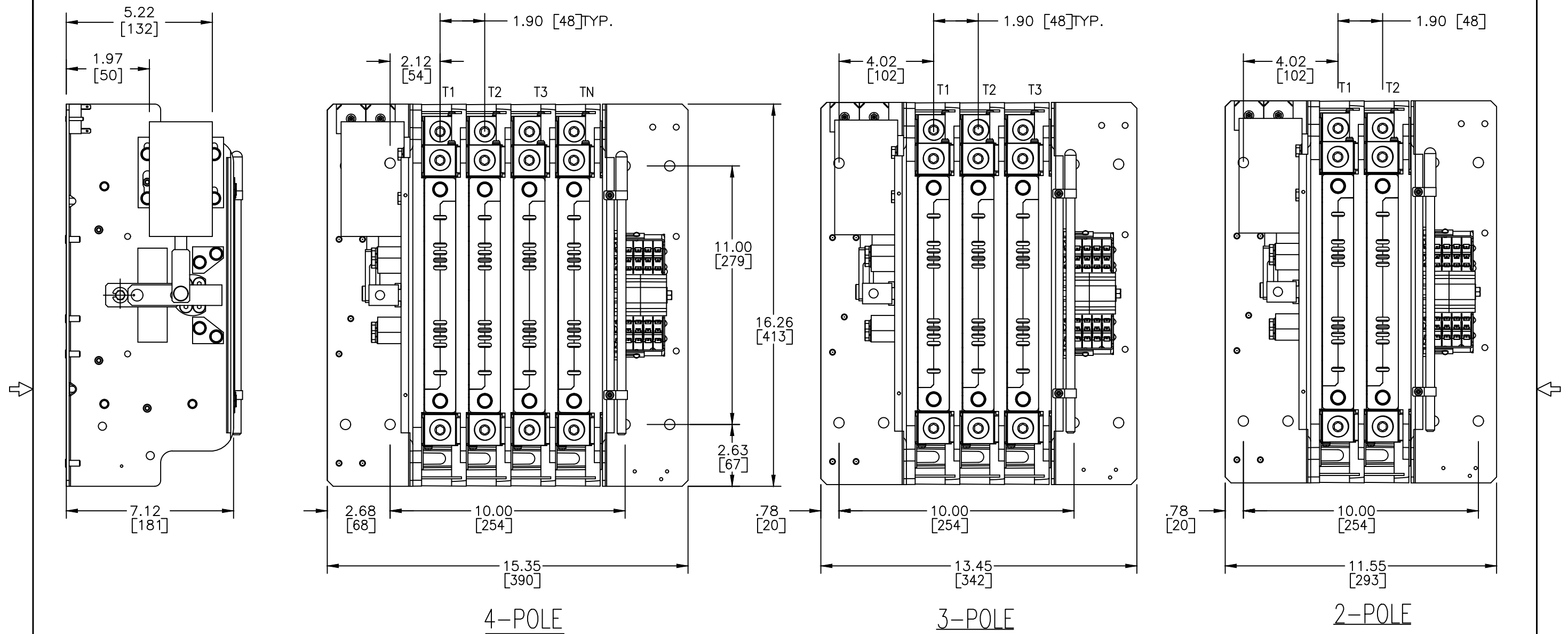


REVISIONS			
REV.	DESCRIPTION	DATE	APPROVED
1	C075076	09/11/19	AR MAS



NOTES:

- DO NOT RUN CABLES IN FRONT OF SWITCH. RUN ALL CABLES ON THE RIGHT SIDE.
- MAINTAIN ELECTRICAL CLEARANCE OF .50(13mm)MIN. BETWEEN LIVE METAL PARTS AND GROUNDED METAL.
- ALL DIMENSIONS ARE FOR REFERENCE ONLY AND ARE SHOWN IN INCHES(MILLIMETERS).

THIRD ANGLE PROJECTION

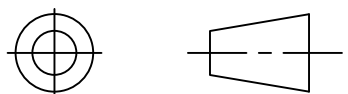


ABB PROPRIETARY AND CONFIDENTIAL INFORMATION

The information contained in the document has to be kept strictly confidential. Any unauthorized use, reproduction, distribution or disclosure to third parties is strictly forbidden. ABB reserves all rights regarding intellectual Property Rights. Copyright 2018 ABB. All rights reserved

FOR ADDITIONAL INFO REFER TO	SIGNATURES	DATE
APPLIED PRACTICES	MODEL AMG	10/12/99
UNLESS OTHERWISE SPECIFIED DIMENSIONS ARE IN INCHES	DETAIL	
TOLERANCES ON:	CHECKED	
2 PL. DECIMALS ± .020	ENGRG MAS	10/12/99
3 PL. DECIMALS ± .005	MFG	
ANGLES ± 1°	QUALITY	
FRACTIONS ± 1/64	ISSUED	
FINISH	DRAWING FILE: 52c-2013.dwg	
✓	MODEL / ASSEMBLY FILE:	
AutoCad Generated	# CTQs	⊖ CRITICAL TO QUALITY CHARACTERISTIC



TRANSFER SWITCH

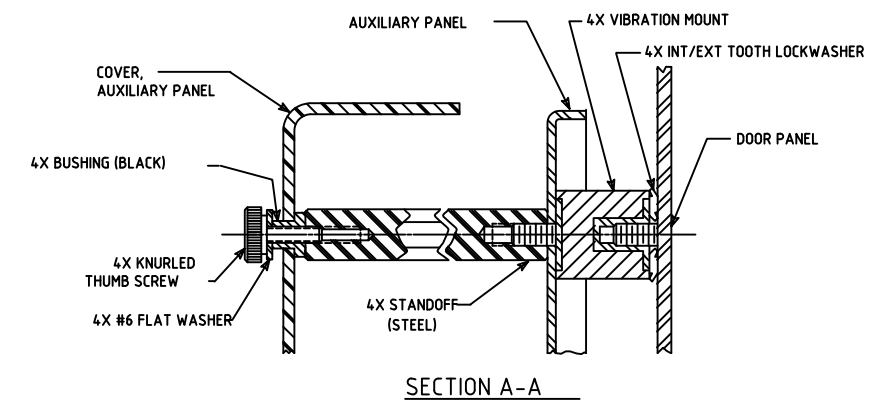
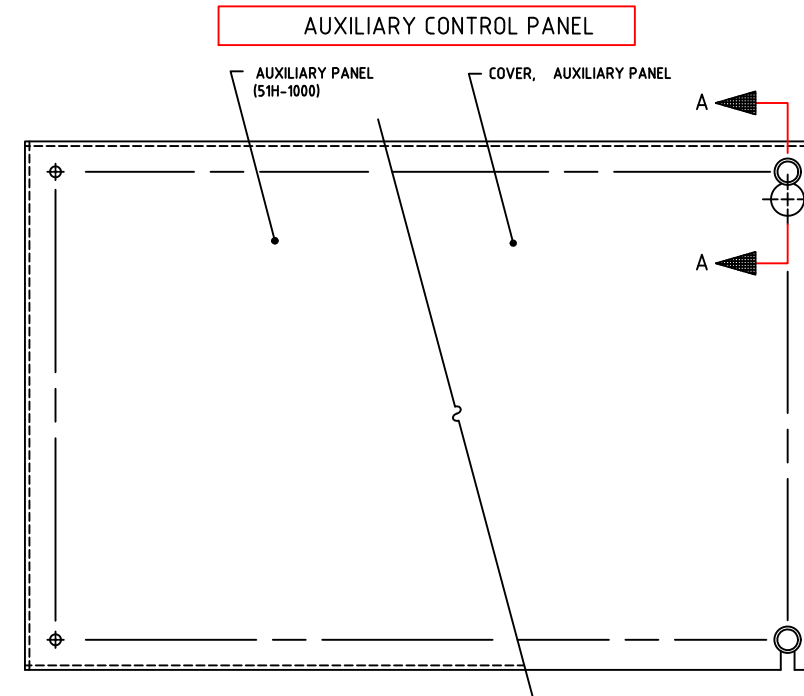
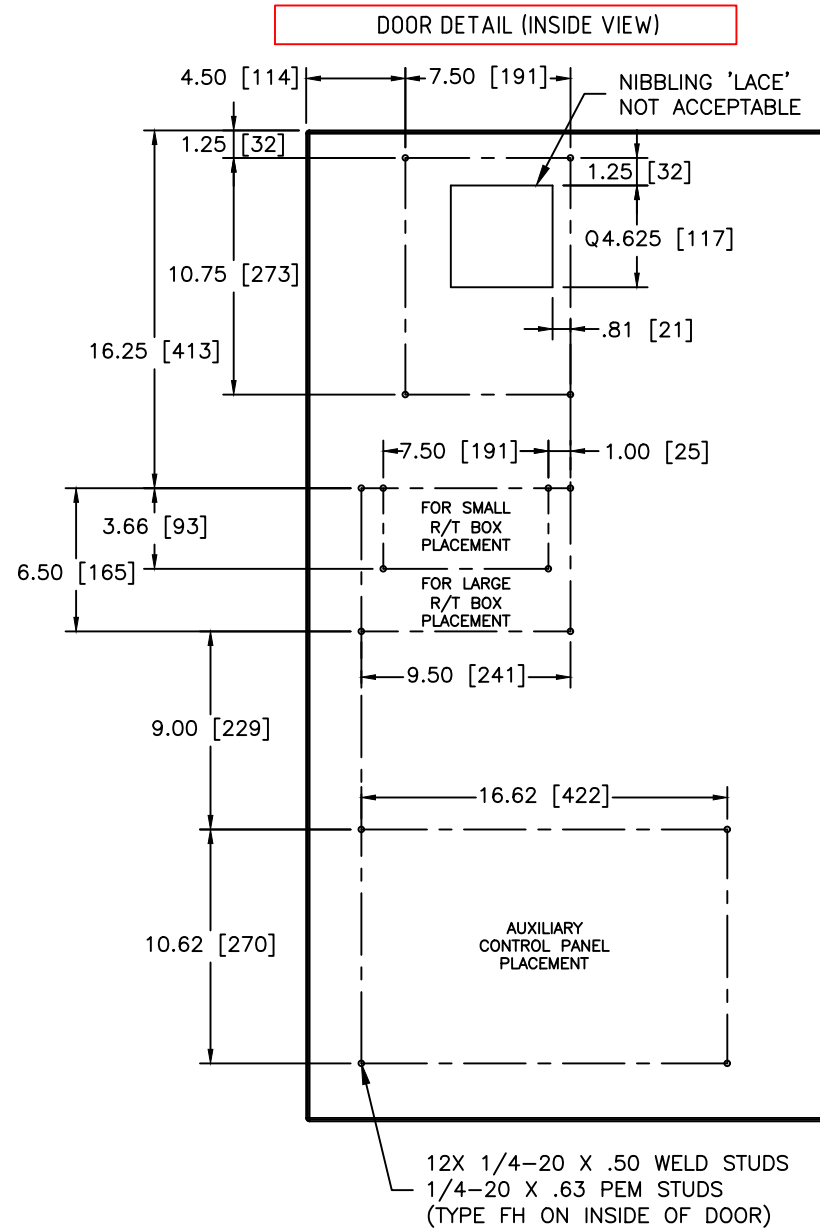
FIRST MADE FOR: ZTG4 225-400A

SIZE B CAGE CODE DWG NO

52C-2013

SCALE: N/A

SHEET 1 OF 2



- NOTES:**
- DO NOT RUN CABLES IN FRONT OF SWITCH.
RUN ALL CABLES ON THE RIGHT SIDE.
 - MAINTAIN ELECTRICAL CLEARANCE OF .50(13mm)MIN.
BETWEEN LIVE METAL PARTS AND GROUNDED METAL.
 - ALL DIMENSIONS ARE FOR REFERENCE ONLY
AND ARE SHOWN IN INCHES(MILLIMETERS).

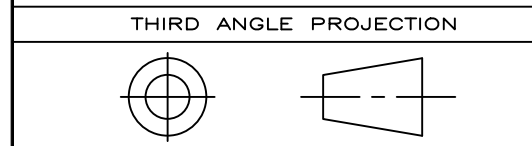


ABB PROPRIETARY AND CONFIDENTIAL INFORMATION

The information contained in the document has to be kept strictly confidential.
Any unauthorized use, reproduction, distribution or disclosure to third parties is strictly forbidden.
ABB reserves all rights regarding intellectual Property Rights.
Copyright 2018 ABB. All rights reserved

FOR ADDITIONAL INFO REFER TO	SIGNATURES	DATE	ABB	
APPLIED PRACTICES	MODEL AMG	10/12/99		
UNLESS OTHERWISE SPECIFIED DIMENSIONS ARE IN INCHES	DETAIL		TITLE TRANSFER SWITCH	
TOLERANCES ON:	CHECKED			
2 PL. DECIMALS ± .020	ENGRG MAS	10/12/99		
3 PL. DECIMALS ± .005	MFG			
ANGLES ± 1°	QUALITY		FIRST MADE FOR: ZTG4 225-400A	
FRACTIONS ± 1/64	ISSUED		SIZE B	CAGE CODE
FINISH ✓	DRAWING FILE: 52c-2013.dwg		DWG NO	
AutoCad Generated	MODEL / ASSEMBLY FILE:		52C-2013	
# CTQs	⊖ CRITICAL TO QUALITY CHARACTERISTIC		SCALE: N/A	SHEET 2 OF 2