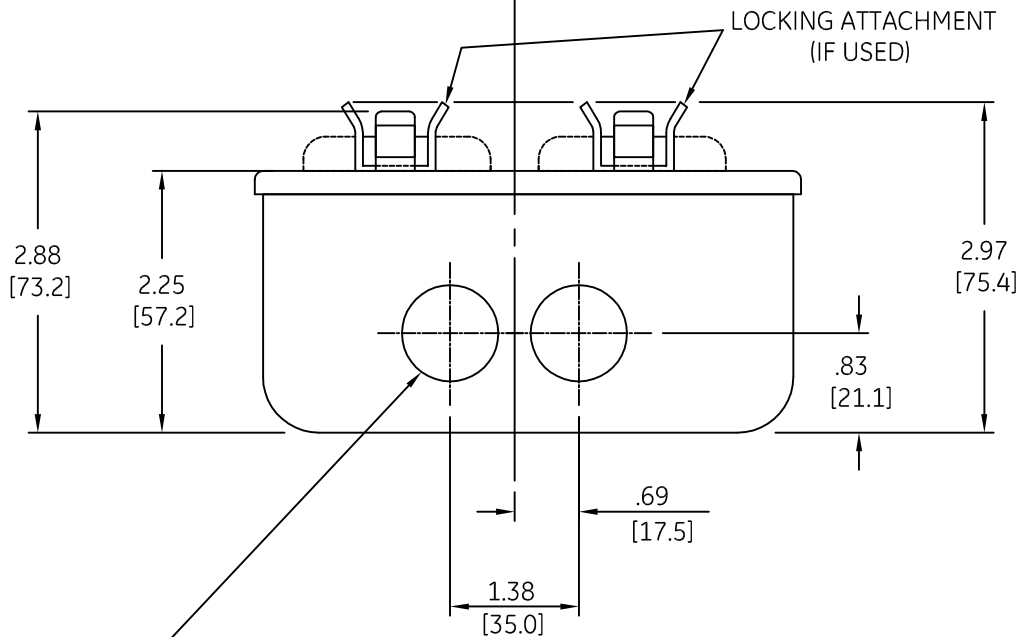
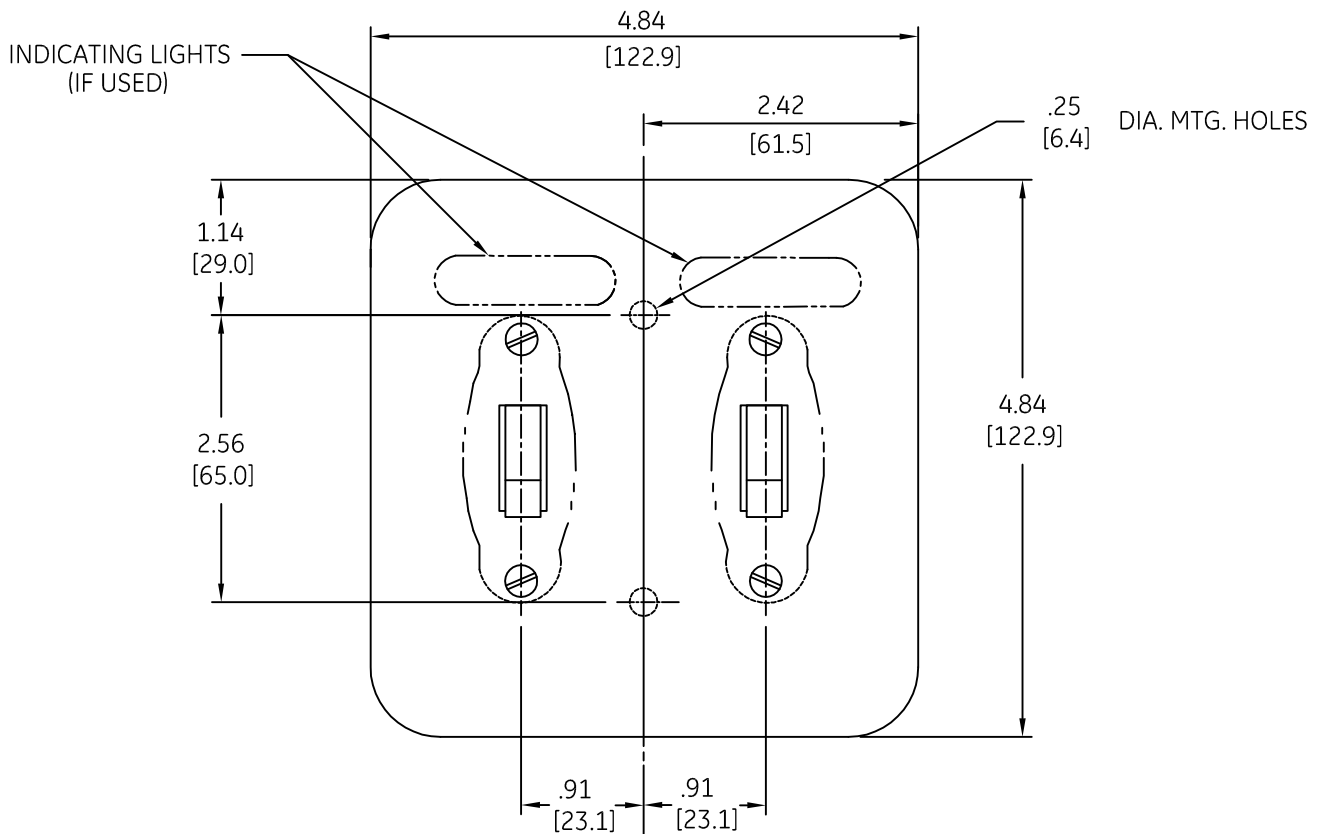


DUAL DIMENSIONS INCHES (ESTIMATING ONLY)
[MILLIMETERS]



2 KNOCKOUTS FOR 1/2" CONDUITS
TOP AND BOTTOM



imagination at work

OUTLINE
CR101

AN #	THIRD ANGLE PROJECTION	SHEET #
09-9107		1 OF 1

DWG NO.

546A507

DATE

08/03/2009

REV

3