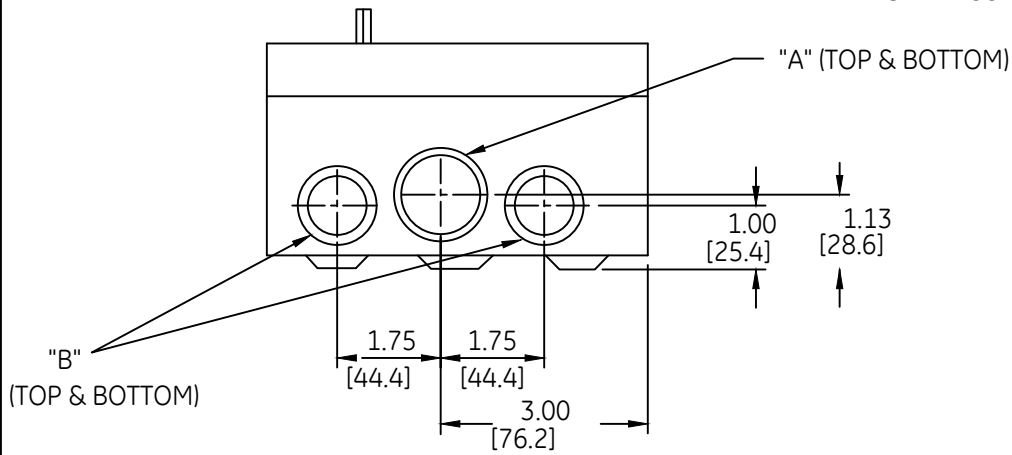
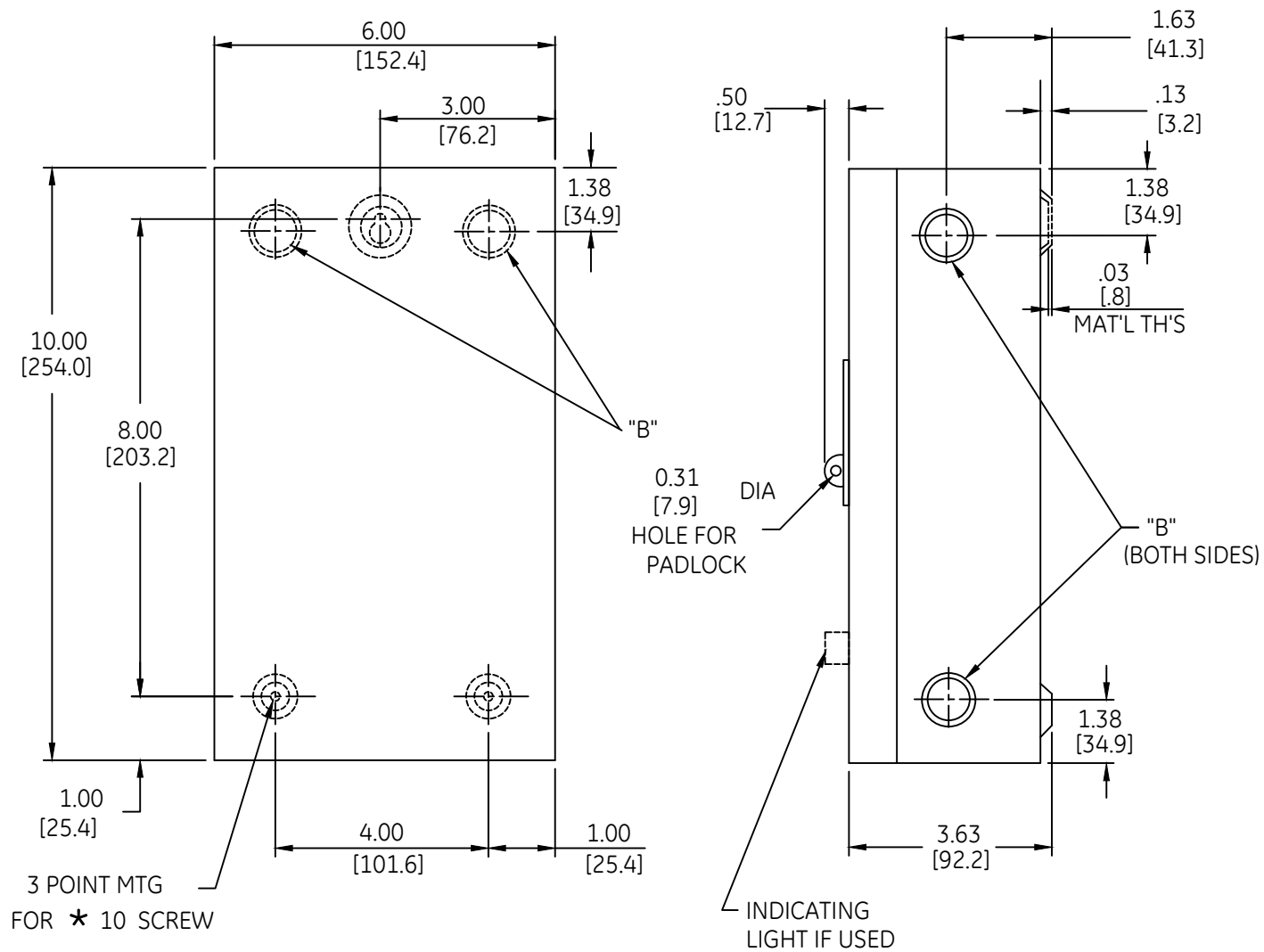


DUAL DIMENSIONS INCHES (ESTIMATING ONLY)
[MILLIMETERS]



1

* IF SPECIFIED

'A' COMB. K.O.'S FOR 3/4" OR 1" CONDUIT

'B' COMB. K.O.'S FOR 1/2" OR 3/4" CONDUIT



OUTLINE
TYPE 1 ENCLOSED

THIRD ANGLE	SHEET#	DWG NO.	DATE	REV
	1 of 1	55-155519	03/21	05