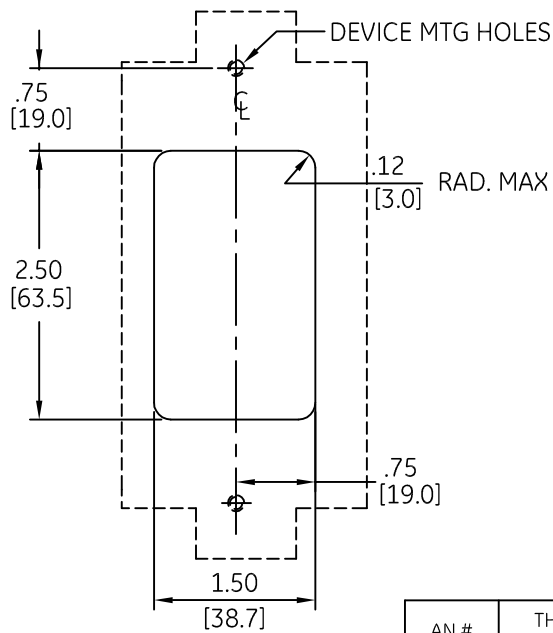
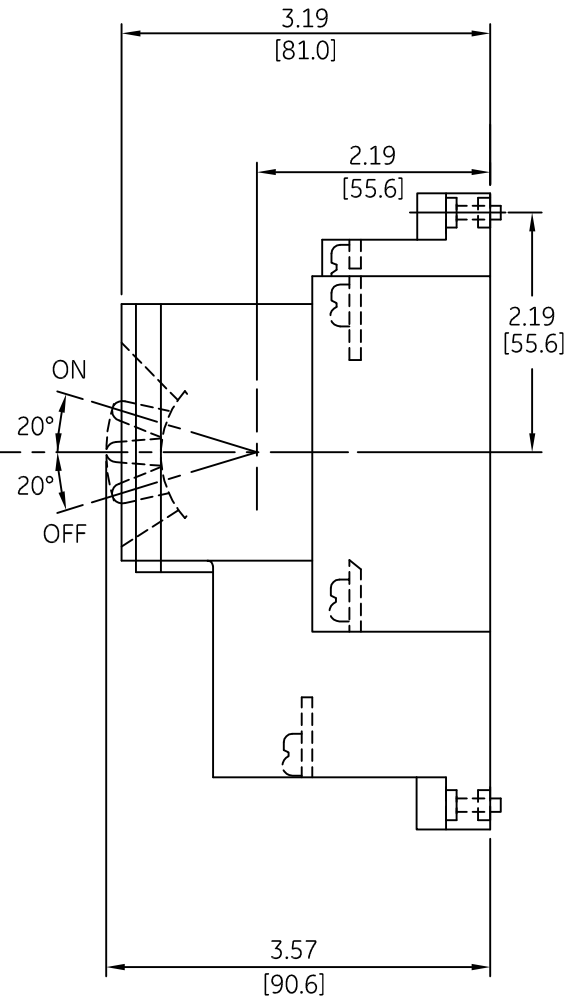
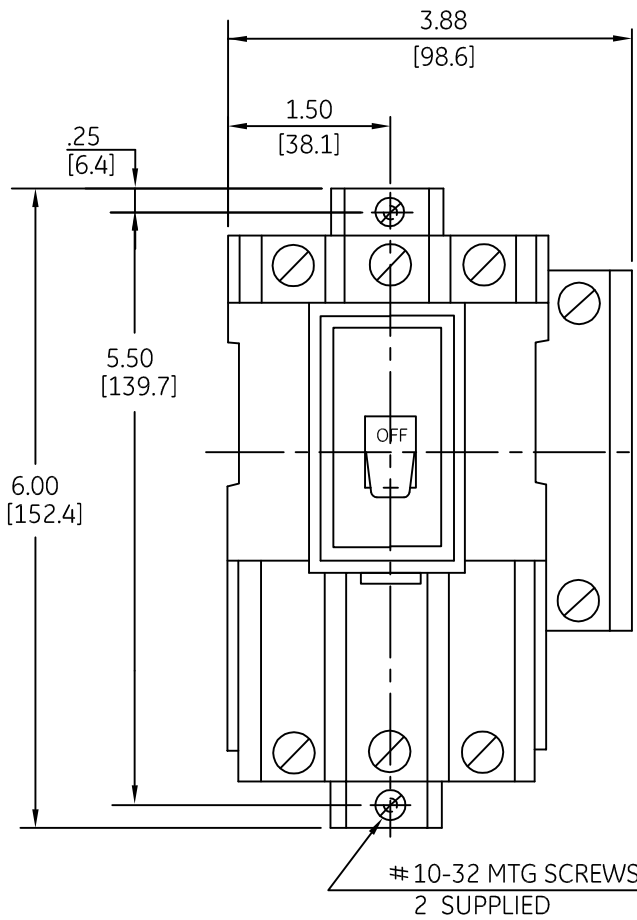

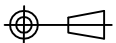


DUAL DIMENSIONS INCHES (ESTIMATING ONLY)  
[MILLIMETERS]



 imagination at work			
OUTLINE CR1062 SIZE R&S OPEN			
DWG NO.	DATE	REV	
55-156706	08/11/2009	4	

AN #	THIRD ANGLE PROJECTION	SHEET #
09-9107		1 OF 1