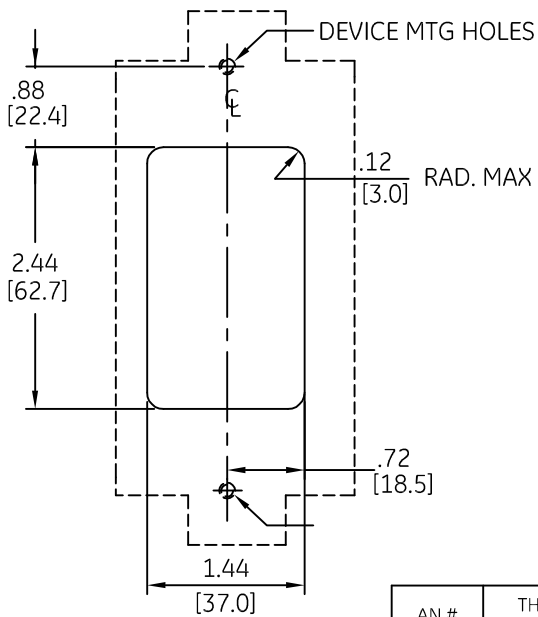
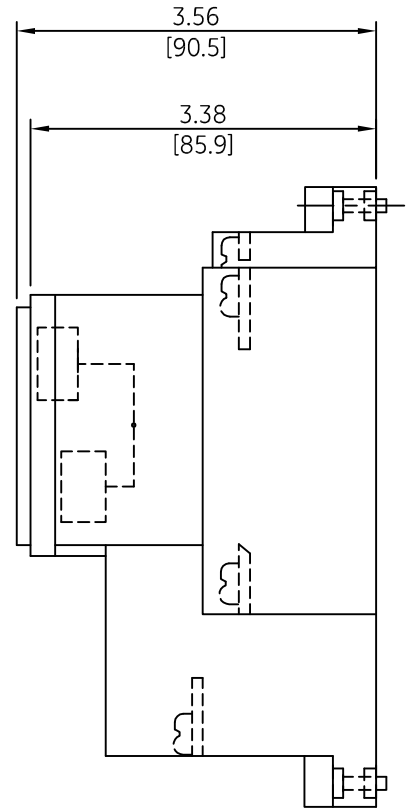
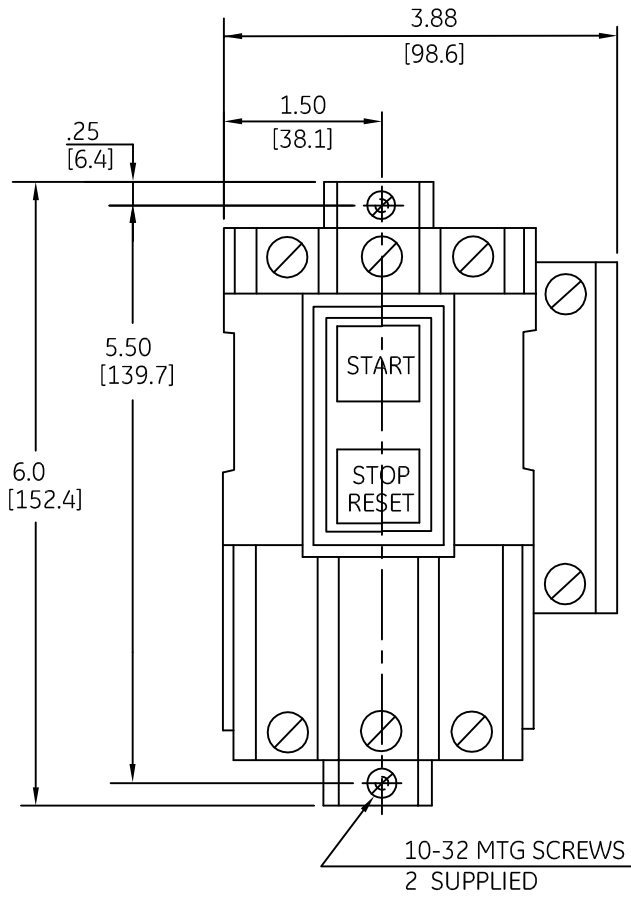


DUAL DIMENSIONS INCHES (ESTIMATING ONLY)
[MILLIMETERS]



AN #	THIRD ANGLE PROJECTION	SHEET #
09-9107		1 OF 1

imagination at work		
OUTLINE CR1062 SIZE R&S OPEN		
DWG NO.	DATE	REV
55-156708	08/11/2009	3