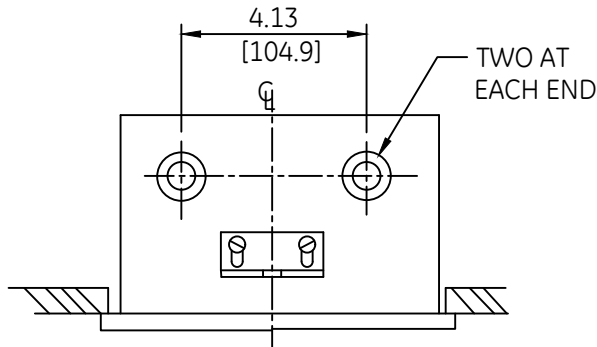


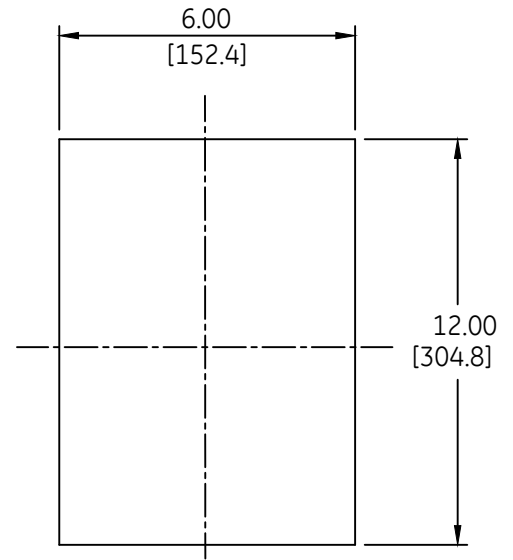
DUAL DIMENSIONS INCHES [MILLIMETERS] (ESTIMATING ONLY)



COMBINATION KNOCKOUTS FOR 1/2" OR 3/4" CONDUIT SIZE (TOTAL OF TEN LOCATIONS)

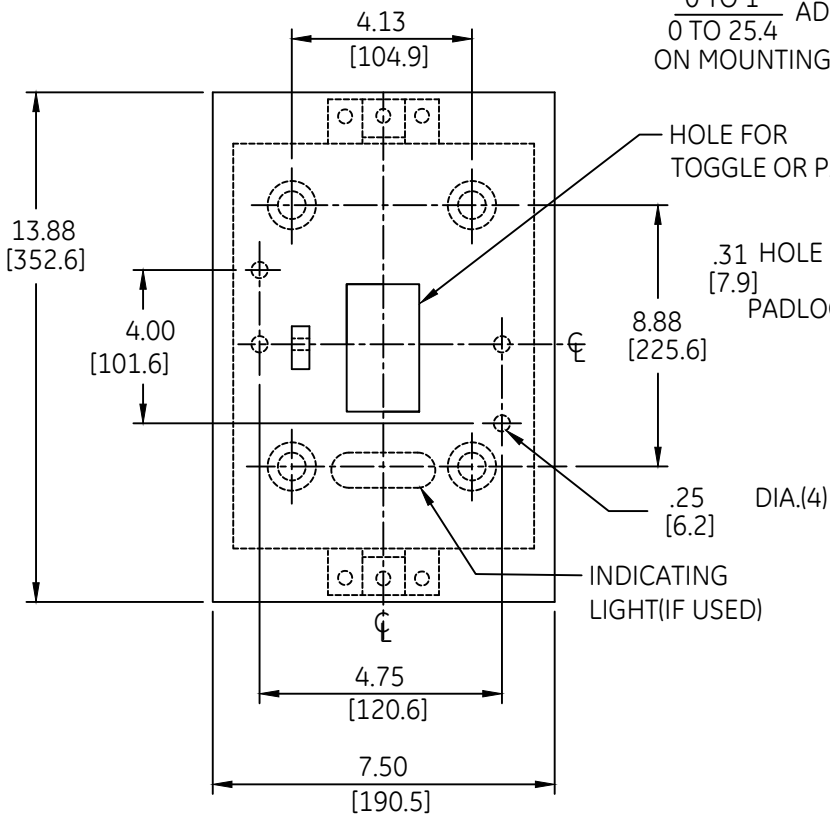


TOP VIEW



MOUNTING PLAN

FRONT VIEW



SIDE VIEW

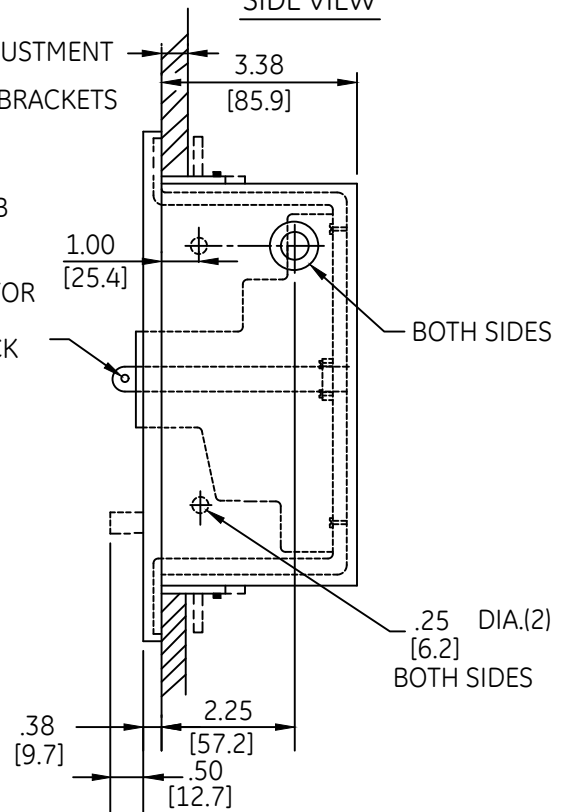


ABB  
OUTLINE  
FLUSH TYPE 1 ENCLOSED

THIRD ANGLE	SHEET#	DWG NO.	DATE	REV
	1 of 1	55-157243	03/21	05