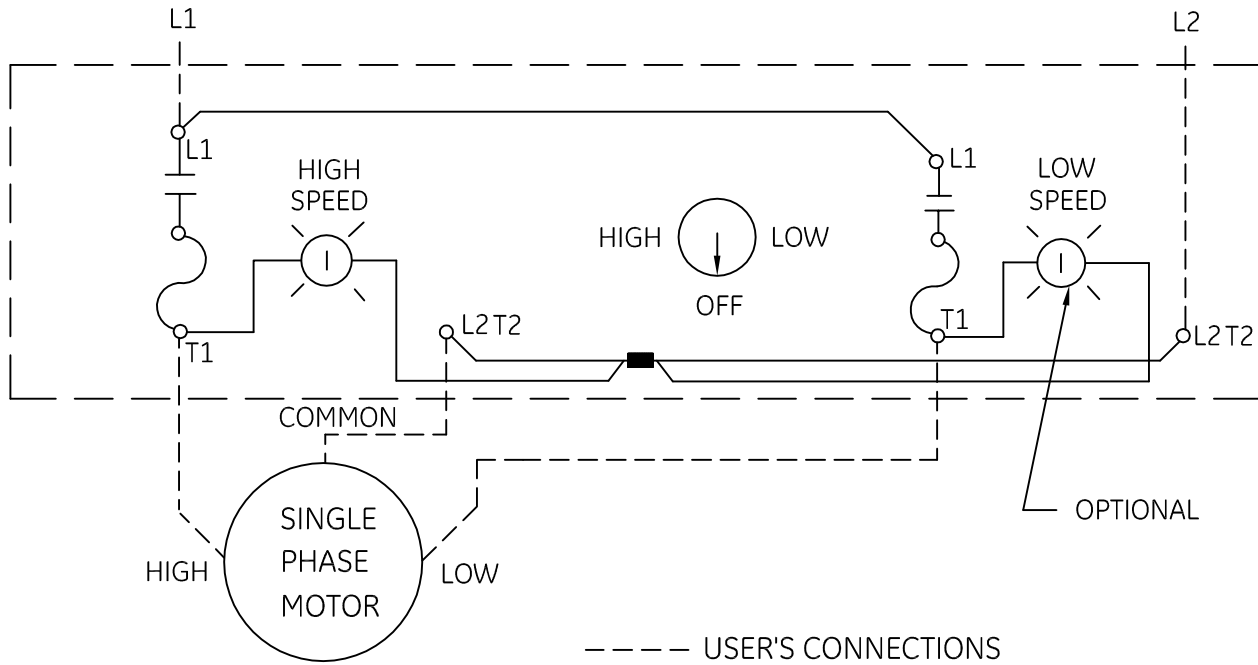


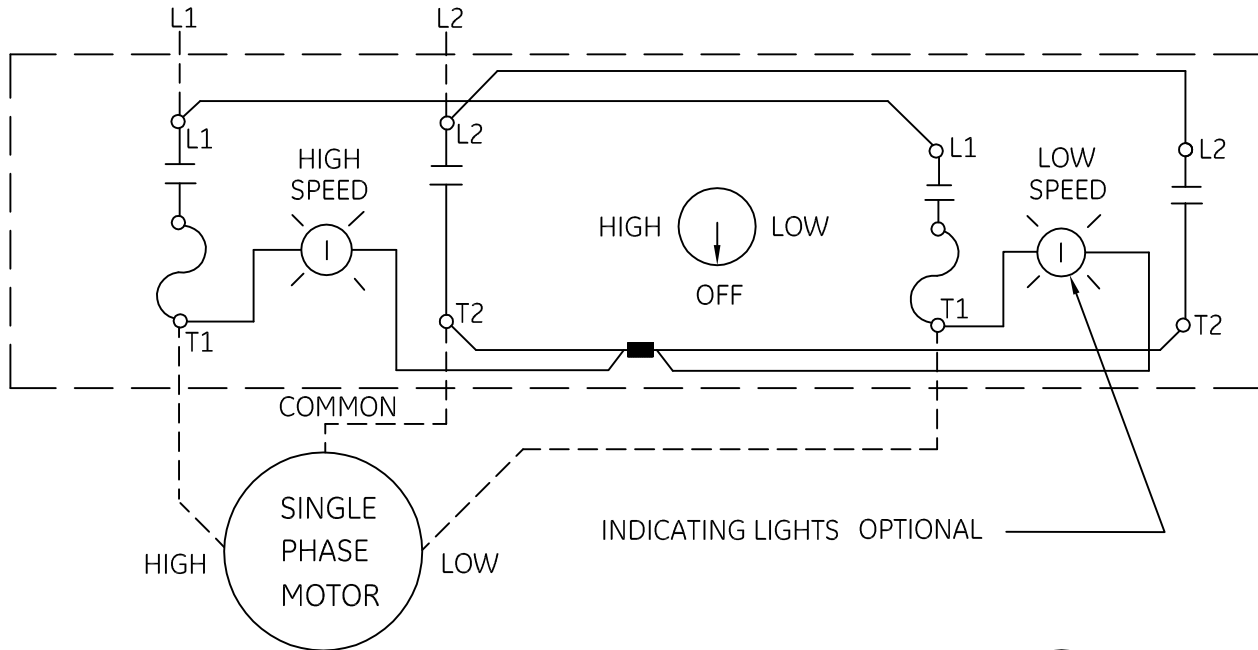
## WIRING FOR SINGLE POLE FORMS



2 SPEED 2 WINDING

1

## WIRING FOR TWO POLE FORMS



2 SPEED 2 WINDING

2



WIRING DIAGRAM  
CR101H & Y 2 SPEED-2 WINDING

AN #	THIRD ANGLE PROJECTION	SHEET #
09-9107		1 OF 1

DWG NO.	DATE	REV
55-164327	08/03/2009	3