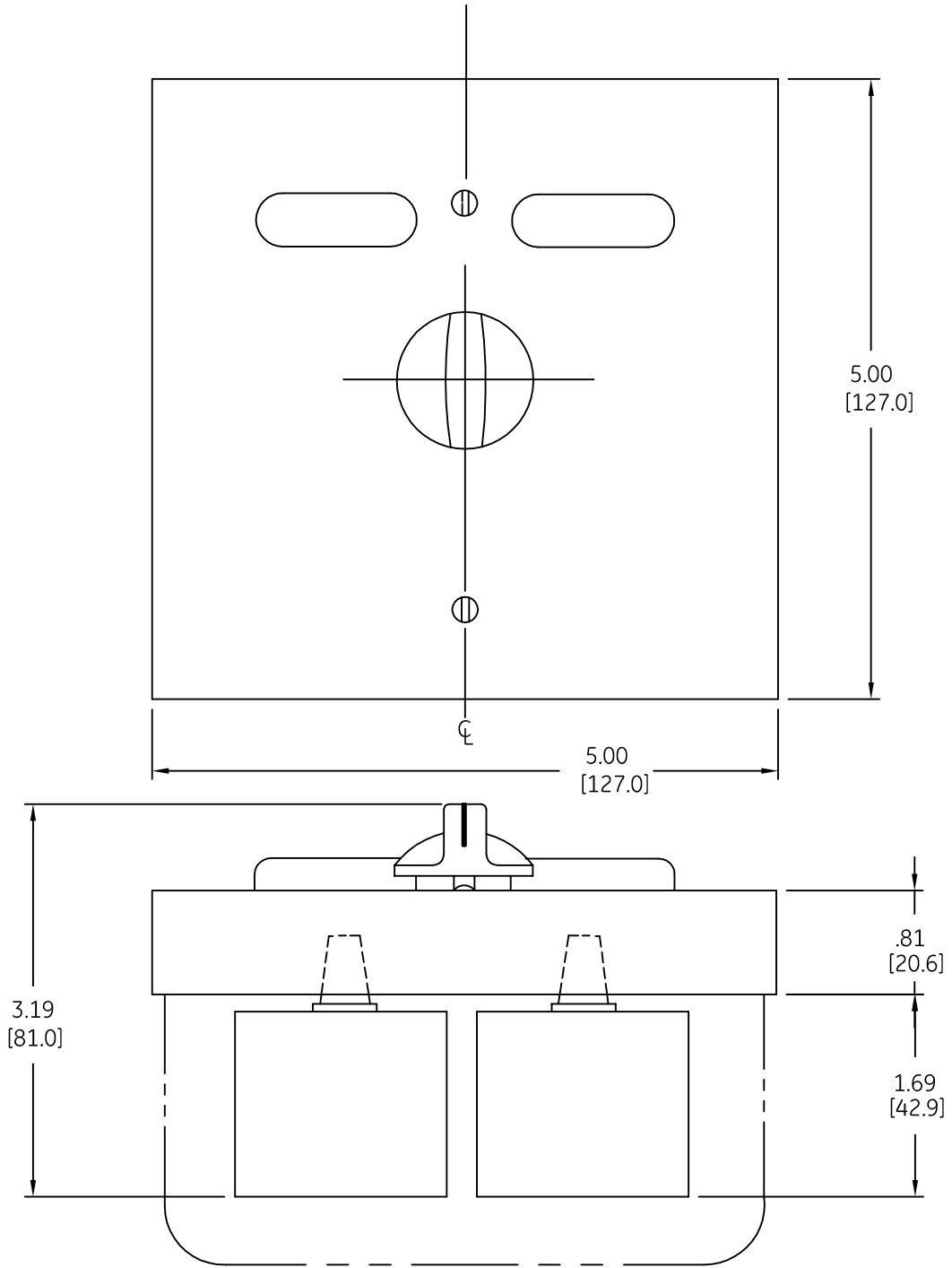


DUAL DIMENSIONS INCHES (ESTIMATING ONLY)
[MILLIMETERS]



1



imagination at work

OUTLINE
CR101

AN #	THIRD ANGLE PROJECTION	SHEET #
09-9107		1 OF 1

DWG NO.	DATE	REV
55-164329	08/03/2009	2