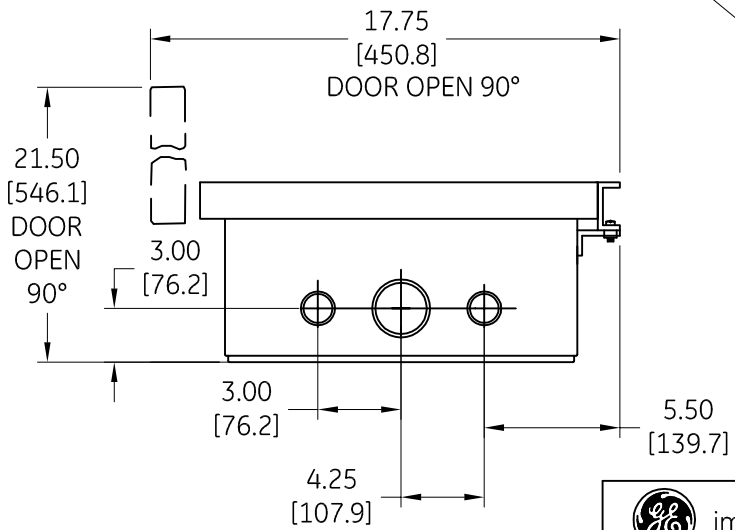
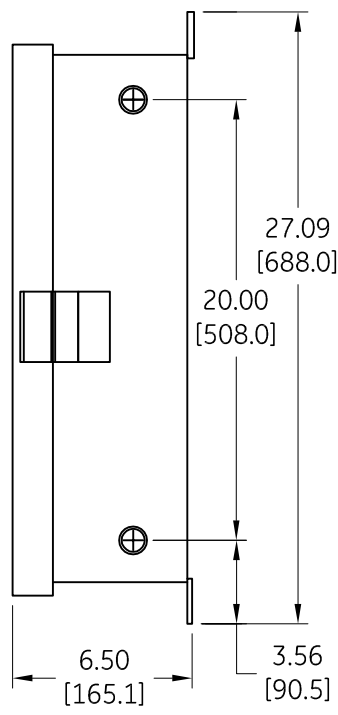
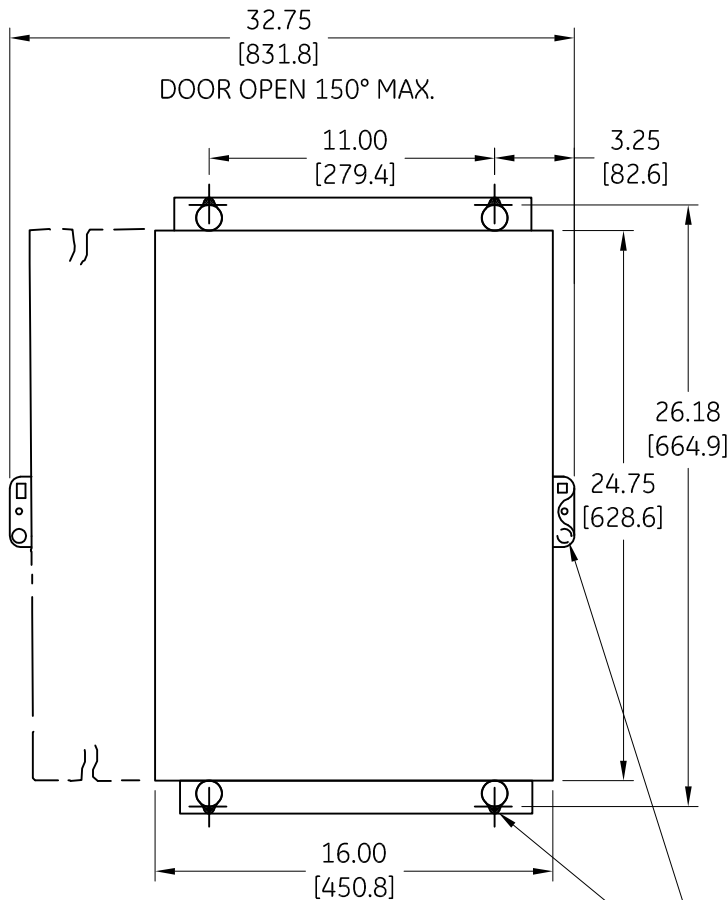
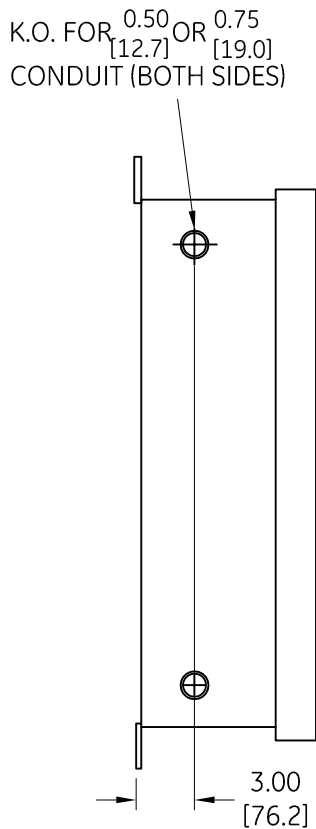
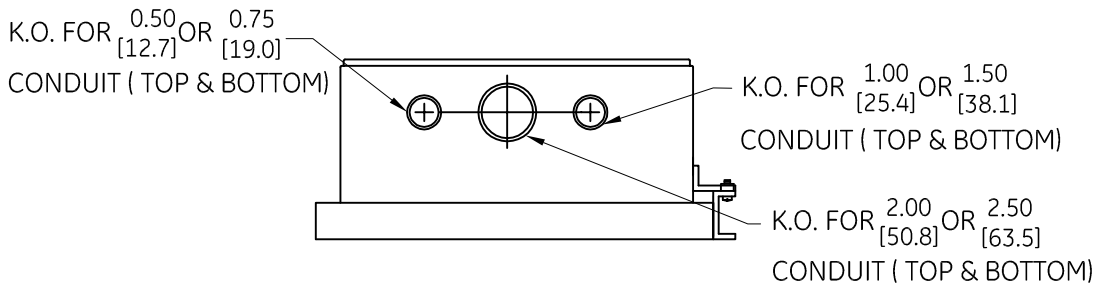


DUAL DIMENSIONS INCHES (ESTIMATING ONLY)
[MILLIMETERS]



0.50 DIA HOLE FOR PADLOCK [12.7]
4 MTG. HOLES FOR 3/8" BOLTS.



OUTLINE-CR160MC
LIGHTING CONTACTOR TYPE 1 ENCLOSED

AN #	THIRD ANGLE PROJECTION	SHEET #
09-9114		1 OF 1

DWG NO.	DATE	REV
55-173749	07/26/2009	2