

DUAL DIMENSIONS INCHES (ESTIMATING ONLY)
[MILLIMETERS]

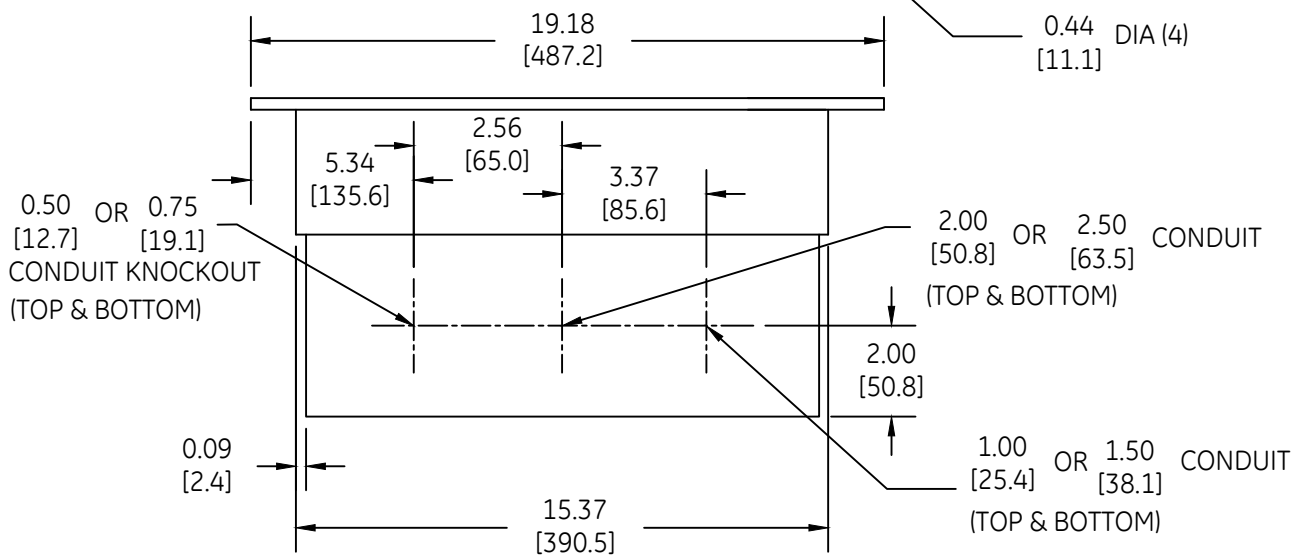
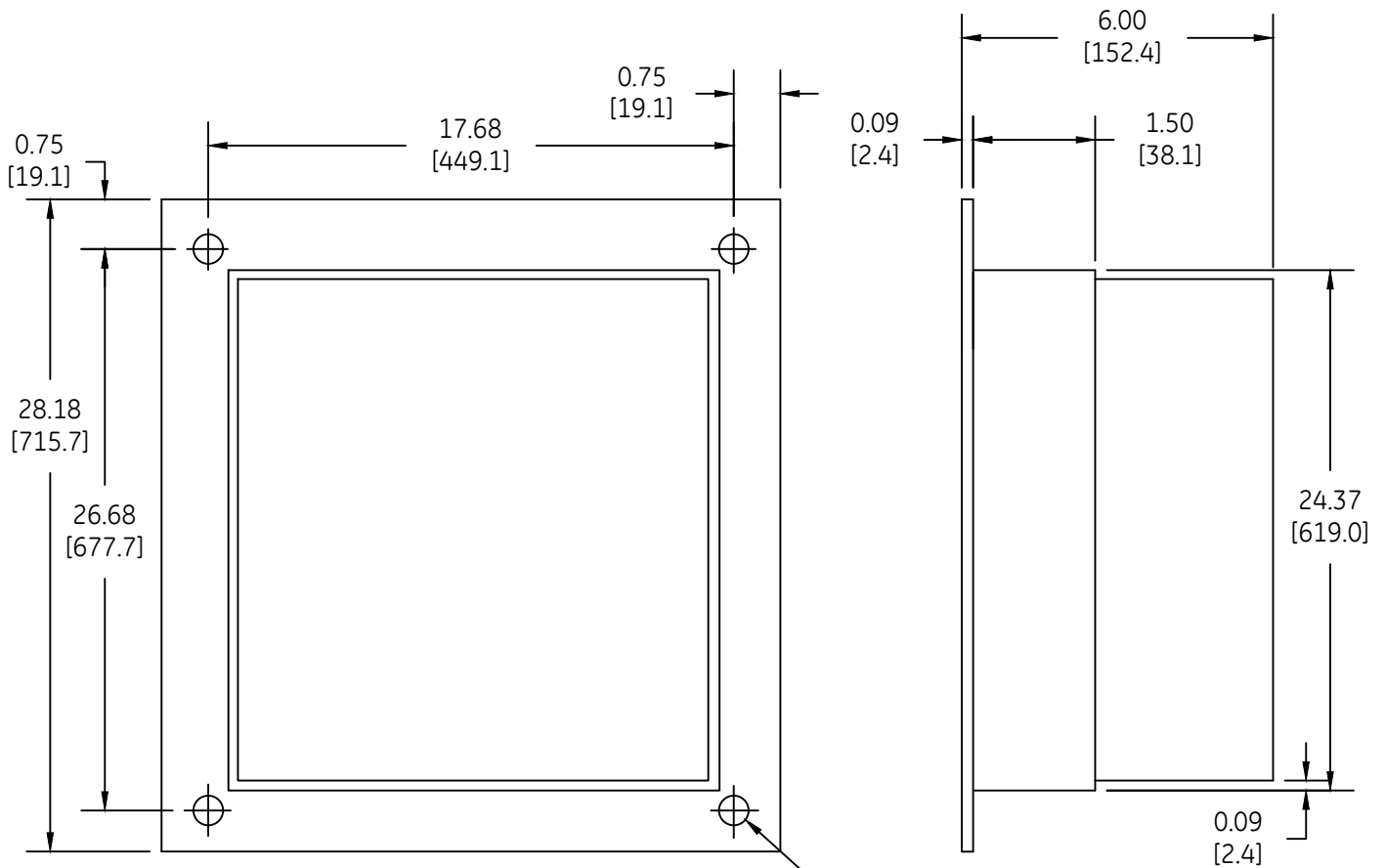


ABB
OUTLINE-CR160MC
LIGHTING CONT. TYPE 1 FLUSH MOUNT ENCLOSED

THIRD ANGLE	SHEET#	DWG NO.	DATE	REV
	1 of 1	55-176887	03/21	04