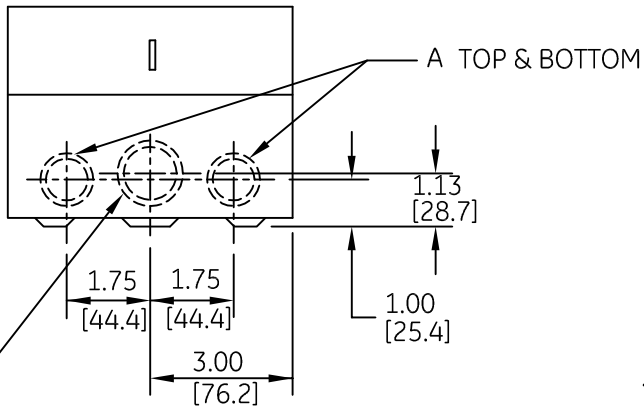
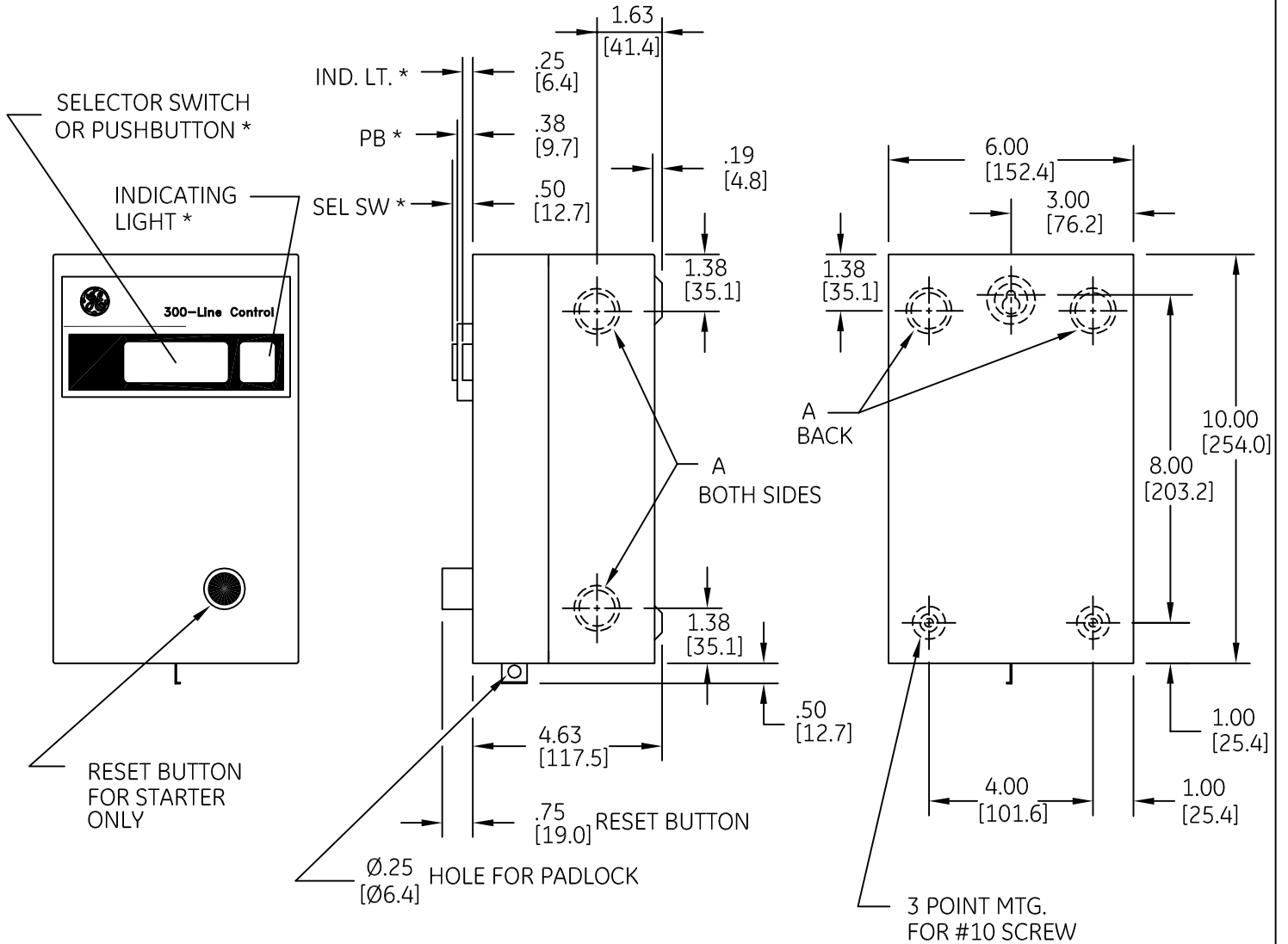


DUAL DIMENSIONS INCHES [MILLIMETERS] (ESTIMATING ONLY)



A Combination Knockouts For 1/2 OR 3/4-inch Conduit
 B Combination Knockouts For 3/4 or 1-Inch Conduit
 * If Specified



OUTLINE
 TYPE 1 ENCLOSED

AN #	THIRD ANGLE PROJECTION	SHEET #
09-9107		1 OF 1

DWG NO.	DATE	REV
55-178430	07/28/2009	4