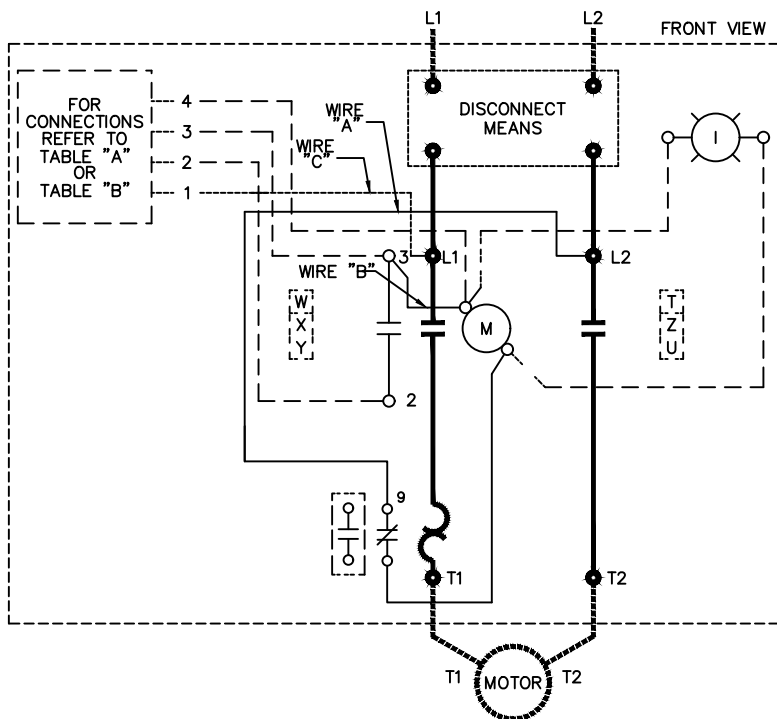
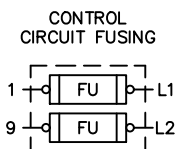


| TABLE A | TABLE B |
|--|--|
| STANDARD PILOT DEVICES | OIL-TIGHT PILOT DEVICES |
| START-STOP | START-STOP |
| PUSHBUTTONS (OMIT WIRE "B") | PUSHBUTTONS (OMIT WIRE "B") |
| 2 POSITION SELECTOR SWITCH (OMIT WIRE "B") | 2 POSITION SELECTOR SWITCH (OMIT WIRE "B") |
| 3 POSITION SELECTOR SWITCH | 3 POSITION SELECTOR SWITCH |



-NOMENCLATURE-
M-LINE CONTACTOR
OL-OVERLOAD RELAY
I-INDICATING LIGHT
FU-FUSE
X-INDICATES CONTACT CLOSED



GROUND KIT

| | |
|------------------|---------------|
| 1/2-IN CONDUIT | 55-213403G001 |
| 3/4-IN CONDUIT | 55-213403G002 |
| 1-IN CONDUIT | 55-213403G003 |
| 1 1/4-IN CONDUIT | 55-213403G004 |
| 1 1/2-IN CONDUIT | 55-213403G005 |
| 2-IN CONDUIT | 55-213403G006 |
| 2 1/2-IN CONDUIT | 55-213403G007 |
| 3-IN CONDUIT | 55-213403G008 |

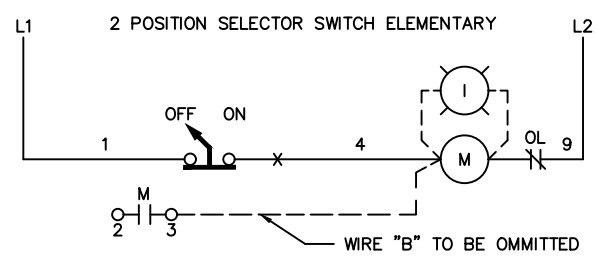
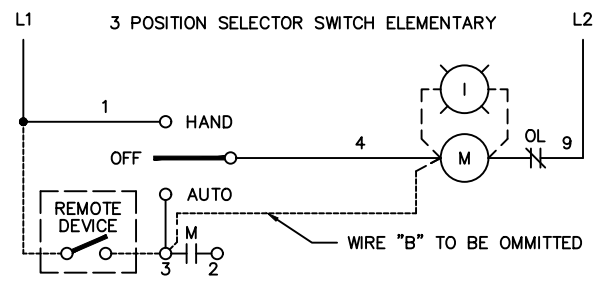
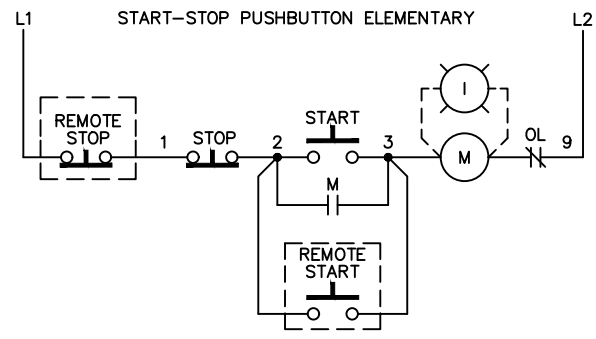
NOTE: ADDITIONAL OVER-CURRENT PROTECTION MAY BE REQUIRED. REFER TO THE NATIONAL ELECTRICAL CODE OR LOCAL ELECTRICAL CODE AS REQUIRED.

FOR STARTER WITHOUT DISCONNECT MEANS - WIRE LINE DIRECT TO L1 AND L2 ON STARTER.

FOR EXTRA AUXILIARY CONTACTS- A MAXIMUM OF 4 CONTACTS MAY BE ADDED AT POSITIONS T,U,W,X,Y,& Z FOR SIZE 0 & 1 ONLY.

FOR SEPARATE CONTROL SOURCE- OMIT WIRE "A" & "C" AND CONNECT SEPARATE CONTROL SOURCE TO 9 ON OL AND TO 1 ON PILOT DEVICE. WIRE "A" & "C" IS OMITTED AT FACTORY ON ALL STARTERS WITH A COIL VOLTAGE OF 120 V OR LESS.

| USE 75°C COPPER CONDUCTORS ONLY, FOR FIELD WIRING. TORQUE LINE AND LOAD TERMINALS AS MARKED OR AS SHOWN AT RIGHT: | CR306 | LINE | LOAD |
|---|----------|-----------|----------|
| | 20 LB-IN | 20 LB-IN | 20 LB-IN |
| | CR307 | AS MARKED | 20 LB-IN |
| | CR308 | 35 LB-IN | 20 LB-IN |
| | CR389 | AS MARKED | 20 LB-IN |



WIRING DIAGRAM
FVNR SIZE 00, 0 & 1

| THIRD ANGLE | SHEET# | DWG NO. | DATE | REV |
|-------------|--------|-----------|-------|-----|
| | 1 of 1 | 55-179341 | 02/21 | 12 |