

TABLE A STANDARD PILOT DEVICES	TABLE B OIL-TIGHT PILOT DEVICES
<p>ON OFF BLACK 1 WHITE 2 RED 3</p>	<p>ON OFF 1 2 3</p>
<p>PUSHBUTTONS</p> <p>OFF ON WHITE 1 BLACK 4 ( OMIT WIRE "B" )</p>	<p>PUSHBUTTONS</p> <p>OFF ON 1 4 ( OMIT WIRE "B" )</p>
<p>2 POSITION SELECTOR SWITCH</p> <p>HAND OFF RED 1 AUTO WHITE 3 BLACK 4 ( OMIT WIRE "B" )</p>	<p>2 POSITION SELECTOR SWITCH</p> <p>HAND OFF 1 AUTO 3 4 ( OMIT WIRE "B" )</p>
<p>3 POSITION SELECTOR SWITCH</p> <p>REMOTE DEVICE 1 3</p>	<p>3 POSITION SELECTOR SWITCH</p> <p>REMOTE DEVICE 1 3</p>

-NOMENCLATURE-  
M-LINE CONTACTOR  
OL-OVERLOAD RELAY  
I-INDICATING LIGHT  
FU-FUSE  
X-INDICATES CONTACT CLOSED

NOTE: ADDITIONAL OVER-CURRENT PROTECTION  
MAY BE REQUIRED. REFER TO THE  
NATIONAL ELECTRICAL CODE OR LOCAL  
ELECTRICAL CODE AS REQUIRED.

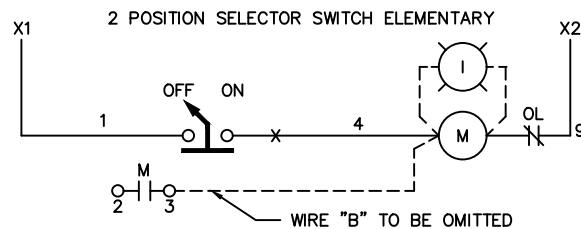
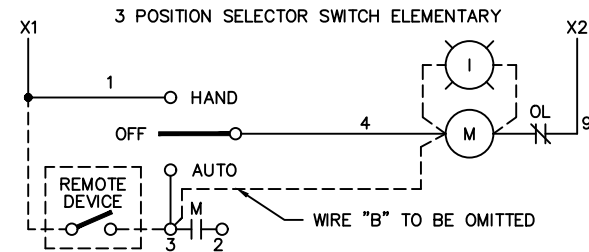
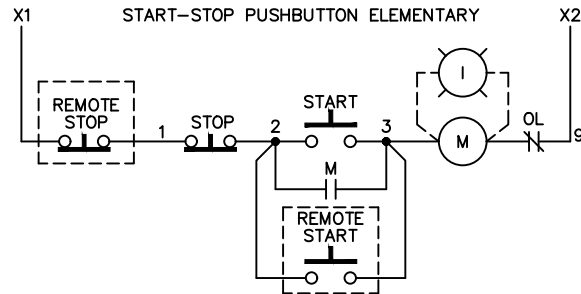
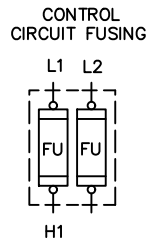
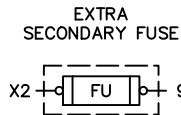
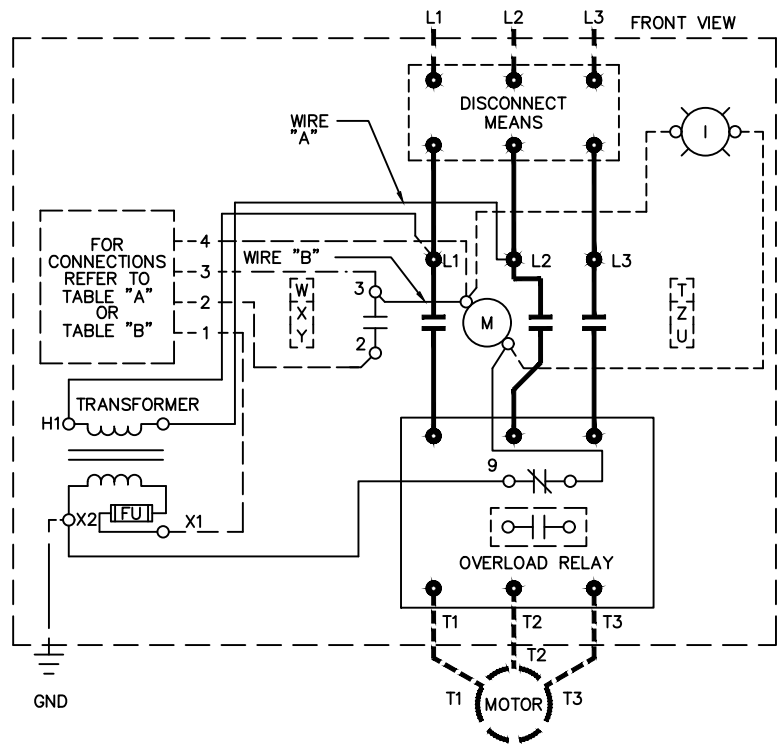
GROUND KIT	
1/2-IN CONDUIT	55-213403G001
3/4-IN CONDUIT	55-213403G002
1-IN CONDUIT	55-213403G003
1 1/4-IN CONDUIT	55-213403G004
1 1/2-IN CONDUIT	55-213403G005
2-IN CONDUIT	55-213403G006
2 1/2-IN CONDUIT	55-213403G007
3-IN CONDUIT	55-213403G008

USE 75°C COPPER CONDUCTORS ONLY, FOR FIELD WIRING. TORQUE AS MARKED OR AS SHOWN AT RIGHT:	LINE	LOAD
CR306	20 LB-IN	20 LB-IN
CR307	AS MARKED	20 LB-IN
CR308	35 LB-IN	20 LB-IN
CR387	AS MARKED	20 LB-IN

FOR 1-PHASE OPERATION USING  
• SOLID STATE OVERLOAD RELAY  
SEE GEH-6430 (sz 1,2) OR GEH-6431 (sz 3,4)  
• THERMAL OVERLOAD RELAY  
CHANGE CONNECTION WIRE "A" FROM L2 TO L3.  
CONNECT LINE TO L1 AND L3 AND LOAD TO T1 AND T3.

FOR STARTER WITHOUT DISCONNECT MEANS - WIRE  
LINE DIRECT TO L1, L2 AND L3 ON STARTER.

FORM EXTRA AUXILIARY CONTACTS- A MAXIMUM OF 4  
CONTACTS MAY BE ADDED AT POSITIONS  
T,U,W,& Z FOR SIZE 0 & 1 ONLY.



**ABB**

WIRING DIAGRAM  
FVNR SIZE 00, 0 & 1

THIRD ANGLE	SHEET#	DWG NO.	DATE	REV
	1 of 1	55-179677	02/21	14