

TABLE A	TABLE B
STANDARD PILOT DEVICES	OIL-TIGHT PILOT DEVICES
PUSHBUTTONS	PUSHBUTTONS
<p>(OMIT WIRE "B")</p>	<p>(OMIT WIRE "B")</p>
2 POSITION SELECTOR SWITCH	2 POSITION SELECTOR SWITCH
<p>(OMIT WIRE "B")</p>	<p>(OMIT WIRE "B")</p>
3 POSITION SELECTOR SWITCH	3 POSITION SELECTOR SWITCH

-NOMENCLATURE-
M-LINE CONTACTOR
OL-OVERLOAD RELAY
I-INDICATING LIGHT
FU-FUSE
X-INDICATES CONTACT CLOSED

NOTE: ADDITIONAL OVER-CURRENT PROTECTION
MAY BE REQUIRED. REFER TO THE
NATIONAL ELECTRICAL CODE OR LOCAL
ELECTRICAL CODE AS REQUIRED.

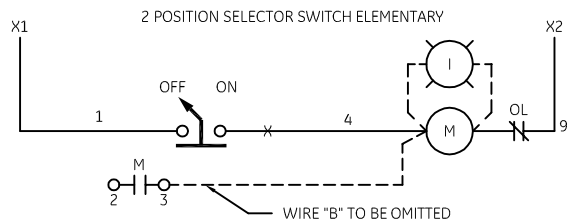
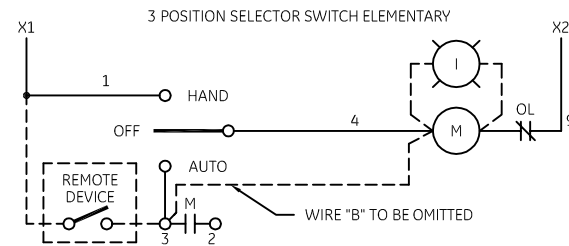
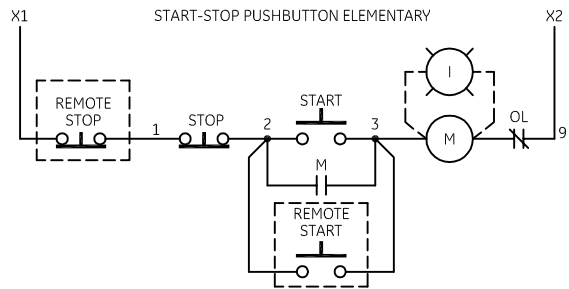
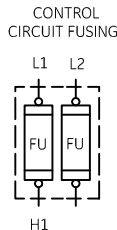
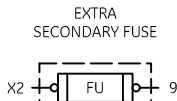
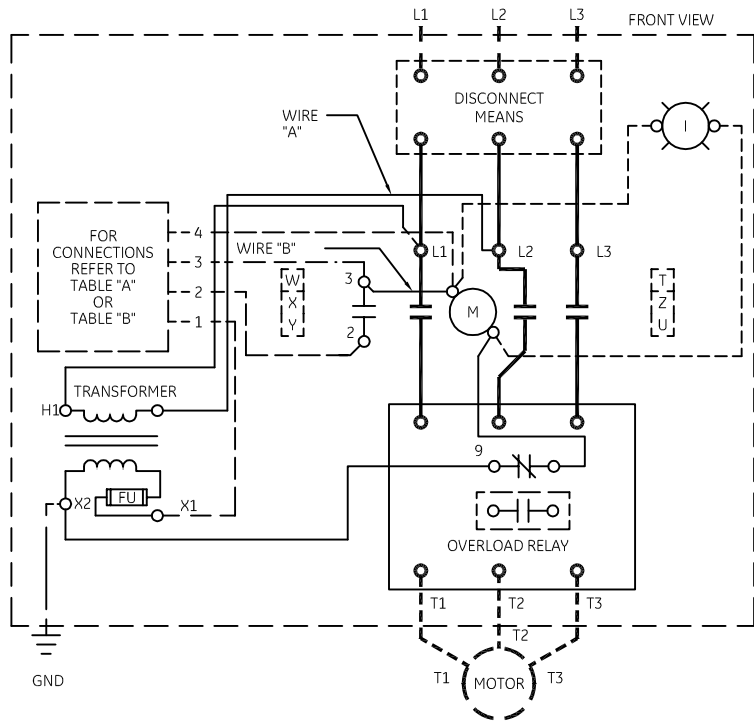
GROUND KIT	
1/2-IN CONDUIT	55-213403G001
3/4-IN CONDUIT	55-213403G002
1-IN CONDUIT	55-213403G003
1 1/4-IN CONDUIT	55-213403G004
1 1/2-IN CONDUIT	55-213403G005
2-IN CONDUIT	55-213403G006
2 1/2-IN CONDUIT	55-213403G007
3-IN CONDUIT	55-213403G008

	LINE	LOAD
USE 75°C COPPER CONDUCTORS ONLY, FOR FIELD WIRING. TORQUE	CR306 20 LB-IN	20 LB-IN
LINE AND LOAD TERMINALS AS MARKED OR AS SHOWN AT RIGHT:	CR307 AS MARKED	20 LB-IN
	CR308 35 LB-IN	20 LB-IN
	CR387 AS MARKED	20 LB-IN

FOR 1-PHASE OPERATION USING
• SOLID STATE OVERLOAD RELAY
SEE GEH-6430(s2 1,2) OR GEH-6431 (s2 3,4)
• THERMAL OVERLOAD RELAY
CHANGE CONNECTION WIRE "A" FROM L2 TO L3.
CONNECT LINE TO L1 AND L3 AND LOAD TO T1 AND T3.

FOR STARTER WITHOUT DISCONNECT MEANS - WIRE
LINE DIRECT TO L1, L2 AND L3 ON STARTER.

FORM EXTRA AUXILIARY CONTACTS- A MAXIMUM OF 4
CONTACTS MAY BE ADDED AT POSITIONS
T,U,W,& Z FOR SIZE 0 & 1 ONLY.



imagination at work

WIRING DIAGRAM
FVNR SIZE 00, 0 & 1

AN #	THIRD ANGLE PROJECTION	SHEET #
09-9107		1 OF 1

DWG NO.	DATE	REV
55-179677	07/28/2009	12