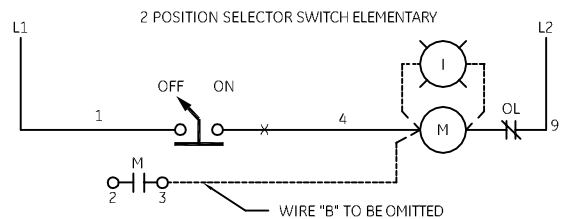
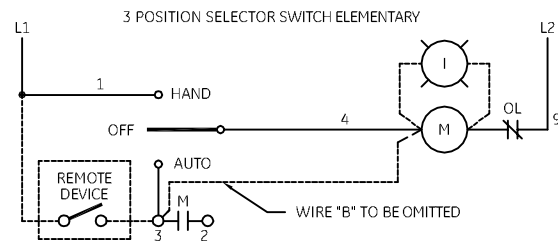
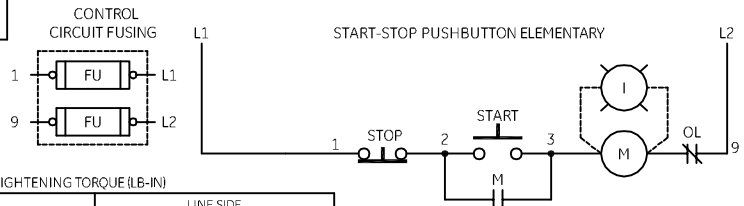
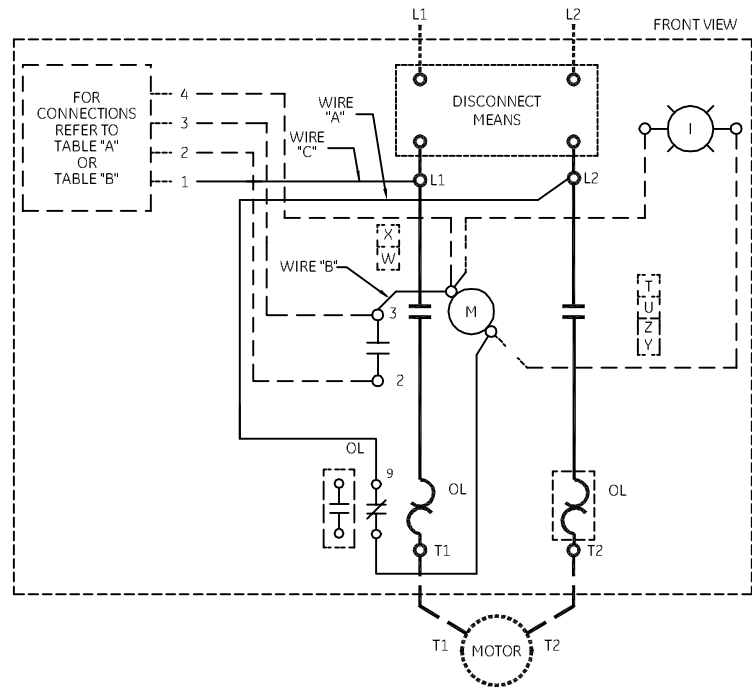


TABLE A STANDARD PILOT DEVICES	TABLE B OIL-TIGHT PILOT DEVICES
<b>START-STOP</b> 	<b>START-STOP</b> 
<b>PUSHBUTTONS</b> 	<b>PUSHBUTTONS</b> 
(OMIT WIRE "B") <b>2 POSITION SELECTOR SWITCH</b> 	(OMIT WIRE "B") <b>2 POSITION SELECTOR SWITCH</b> 
(OMIT WIRE "B") <b>3 POSITION SELECTOR SWITCH</b> 	(OMIT WIRE "B") <b>3 POSITION SELECTOR SWITCH</b> 

- NOMENCLATURE -  
 M-LINE CONTACTOR  
 I-INDICATING LIGHT  
 FU-FUSE  
 X-INDICATES CONTACT CLOSED

USE 75°C COPPER CONDUCTORS ONLY, FOR FIELD WIRING. TORQUE LINE AND LOAD TERMINALS AS SHOWN AT RIGHT.

SIZE	LOAD SIDE		LINE SIDE		
	THERMAL OL	ELECTRONIC OL	CR306	CR307,387	CR308
2	50	20	50	AS MARKED	50
3	150	200	150	AS MARKED	50
4	200	200	200	AS MARKED	275



NOTE: REFER TO THE NATIONAL ELECTRICAL CODE  
 ADDITIONAL CONTROL CIRCUIT OVER-CURRENT PROTECTION MAY BE REQUIRED

FOR STARTER WITHOUT DISCONNECT MEANS - WIRE LINE DIRECT TO L1 AND L2 ON STARTER.

FOR EXTRA AUXILIARY CONTACTS- A MAXIMUM OF 5 CONTACTS MAY BE ADDED AT POSITIONS T,U,W,X,Y & Z

FOR SEPARATE CONTROL SOURCE - OMIT WIRE "A" & "C" AND CONNECT SEPARATE CONTROL SOURCE TO 9 ON OL AND TO 1 ON PILOT DEVICE. WIRE "A" & "C" IS OMITTED AT FACTORY ON ALL STARTERS WITH A COIL VOLTAGE OF 120V OR LESS.

FOR CSA - GROUND KIT  
 1/2 IN CONDUIT 55-213403G001  
 3/4 IN CONDUIT 55-213403G002  
 1 IN CONDUIT 55-213403G003  
 1 1/4 IN CONDUIT 55-213403G004  
 1 1/2 IN CONDUIT 55-213403G005  
 2 IN CONDUIT 55-213403G006  
 2 1/2 IN CONDUIT 55-213403G007

imagination at work

WIRING DIAGRAM  
 FVNR SIZE 2, 3 & 4

AN #	THIRD ANGLE PROJECTION	SHEET #	DWG NO.	DATE	REV
09-1012		1 OF 1	55-179689	12/22/09	7