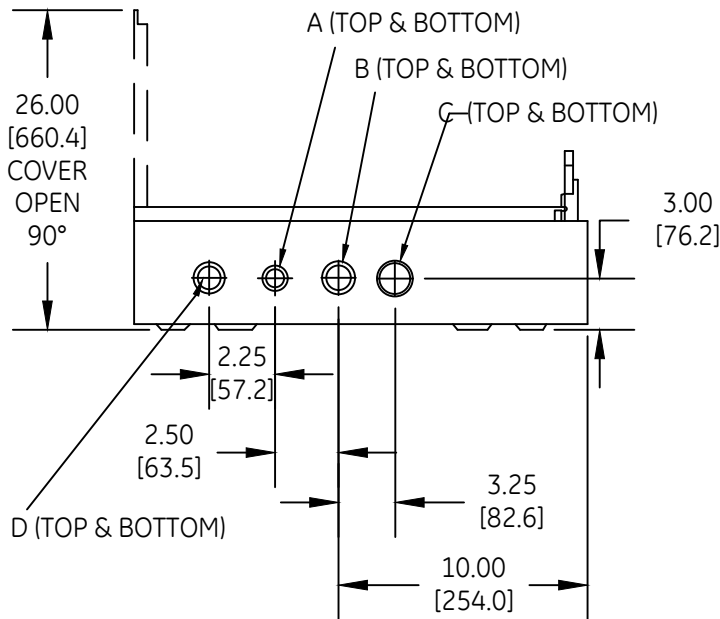
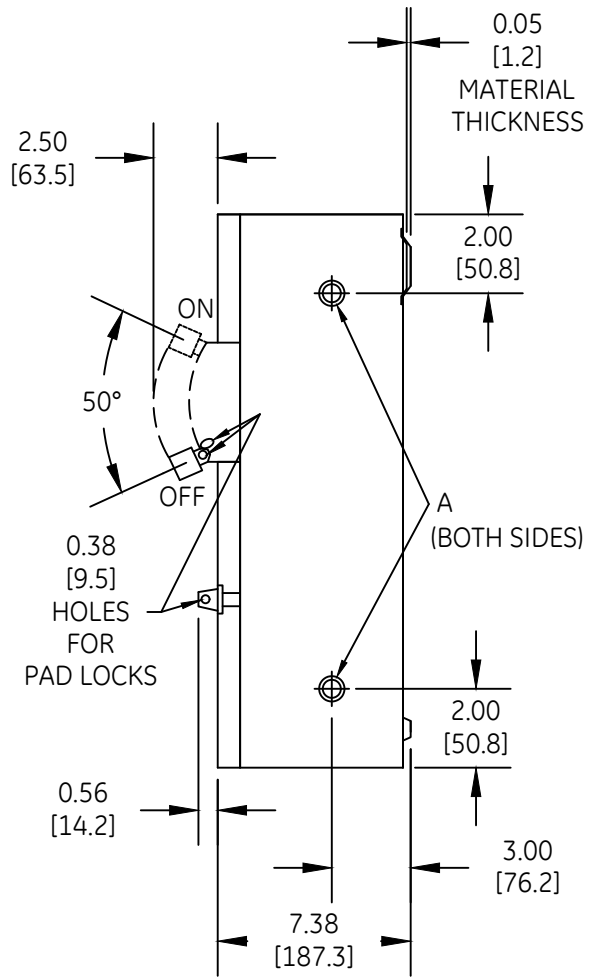
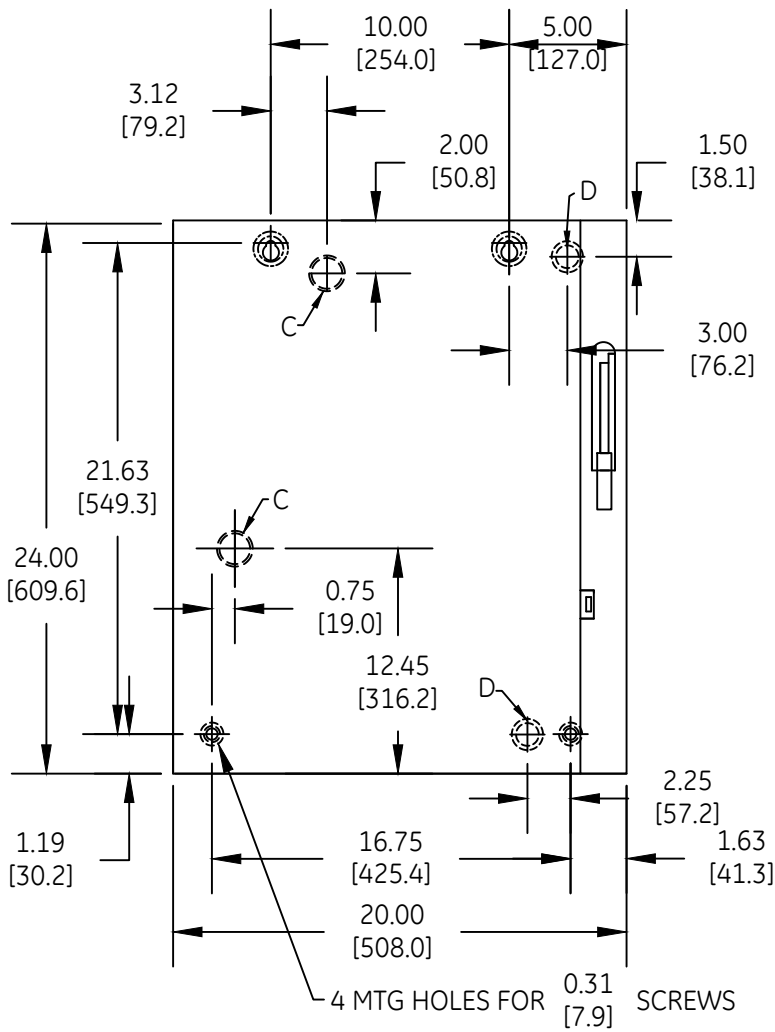


DUAL DIMENSIONS

INCHES
[MILLIMETERS]

(ESTIMATING ONLY)



- A - COMB. K.O.'s FOR 1/2 OR 3/4 CONDUIT
- B - COMB. K.O.'s FOR 1" OR 1-1/4 CONDUIT
- C - COMB. K.O.'s FOR 1-1/2 OR 2" CONDUIT
- D - COMB. K.O.'s FOR 3/4 OR 1" CONDUIT



OUTLINE
TYPE 1 ENCLOSED

THIRD ANGLE	SHEET#	DWG NO.	DATE	REV
	1 of 1	55-180590	03/21	05