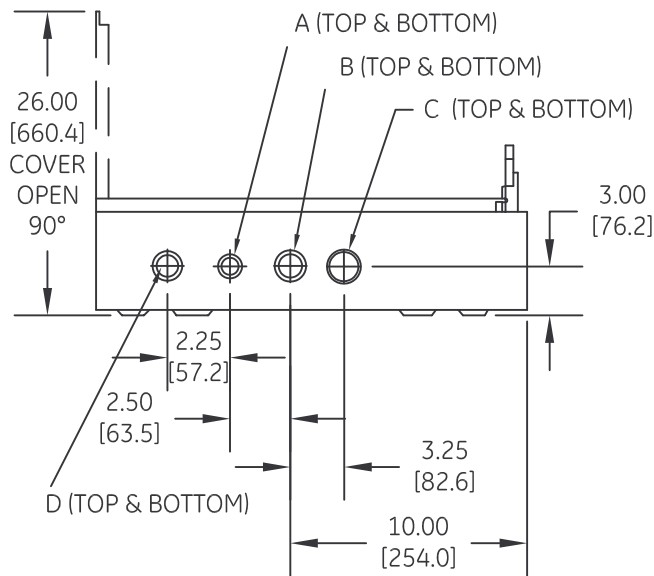
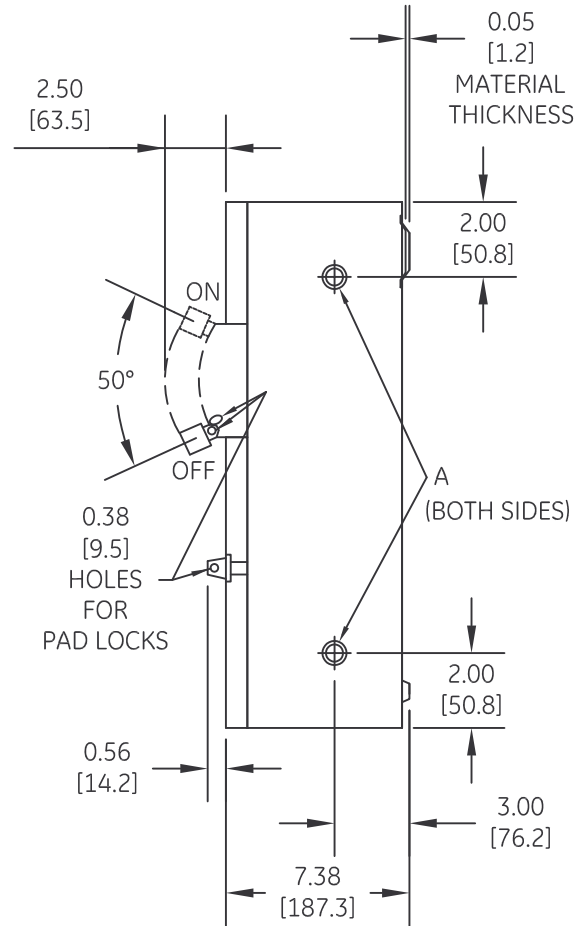
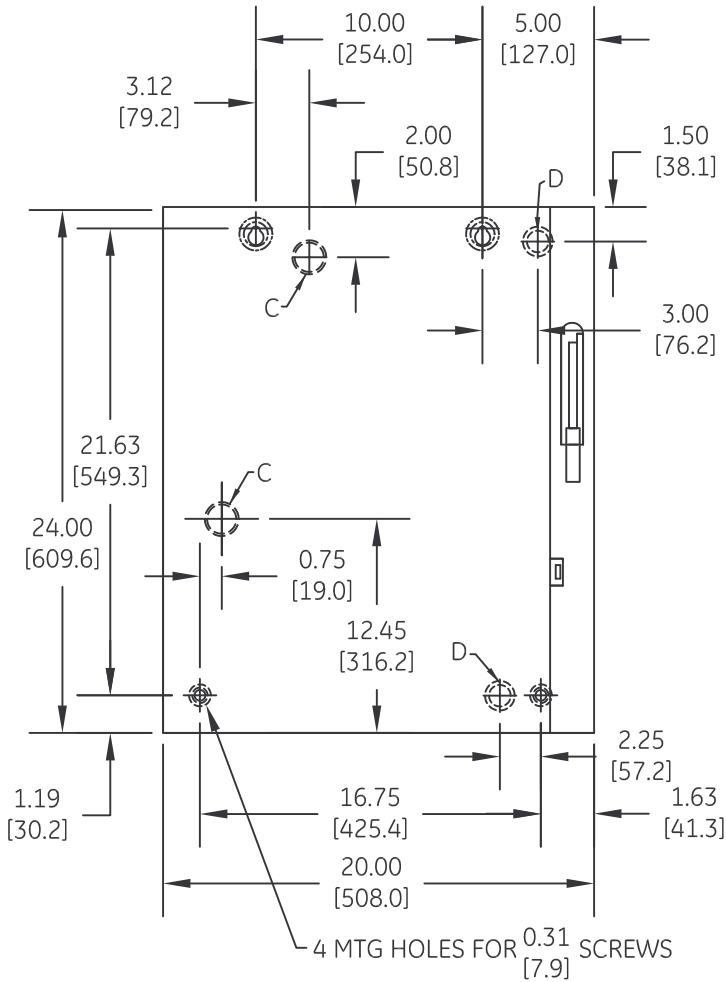


DUAL DIMENSIONS INCHES [MILLIMETERS] (ESTIMATING ONLY)



- A - COMB. K.O.'s FOR 1/2 OR 3/4 CONDUIT
- B - COMB. K.O.'s FOR 1" OR 1-1/4 CONDUIT
- C - COMB. K.O.'s FOR 1-1/2 OR 2" CONDUIT
- D - COMB. K.O.'s FOR 3/4 OR 1" CONDUIT



imagination at work

OUTLINE
TYPE 1 ENCLOSED

AN #	THIRD ANGLE PROJECTION	SHEET #
09-9112		1 OF 1

DWG NO.	DATE	REV
55-180590	08/21/2009	3