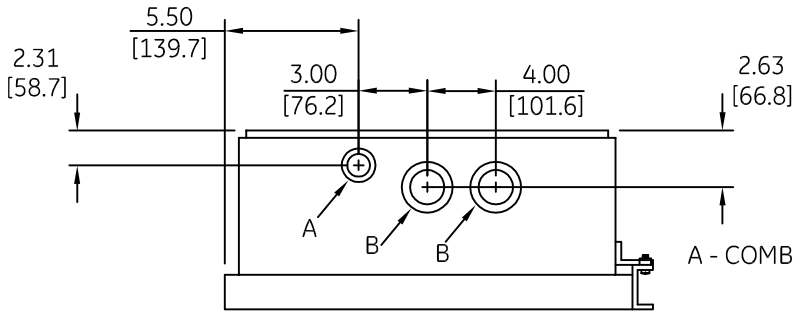
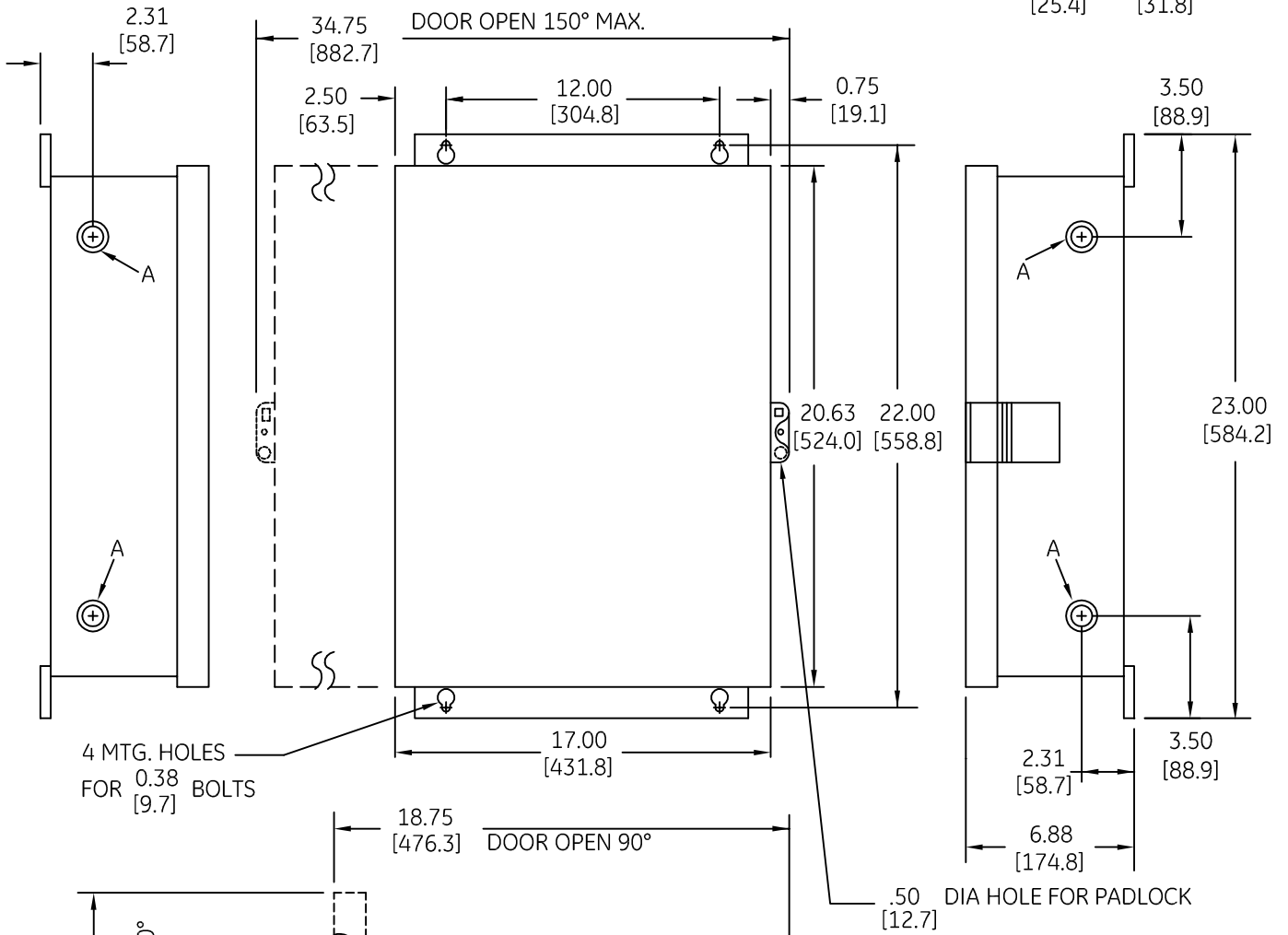


DUAL DIMENSIONS INCHES (ESTIMATING ONLY)
[MILLIMETERS]

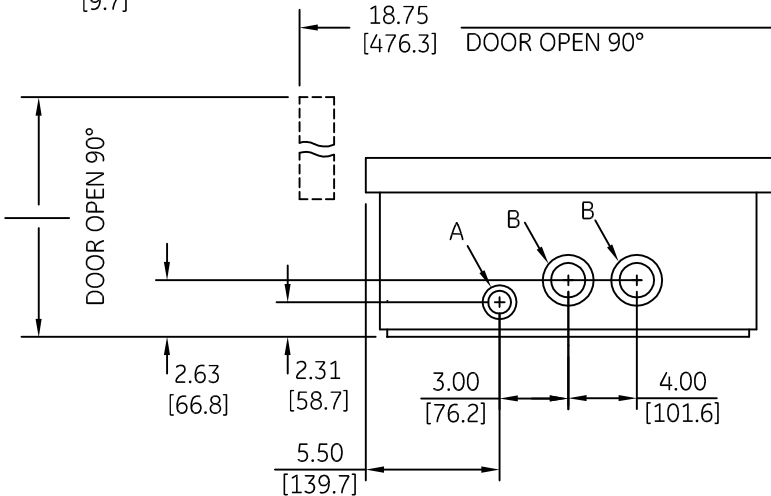


A - COMB. K.O. FOR 0.50 [12.7] OR 0.75 [19.1] COND.

B - COMB. K.O. FOR 1.00 [25.4] OR 1.25 [31.8] COND.



4 MTG. HOLES FOR 0.38 [9.7] BOLTS



DOOR OPEN 90°

DOOR OPEN 90°



OUTLINE
TYPE 1 ENCLOSED

AN #	THIRD ANGLE PROJECTION	SHEET #
09-9107		1 OF 1

DWG NO.	DATE	REV
55-181606	08/06/2009	2