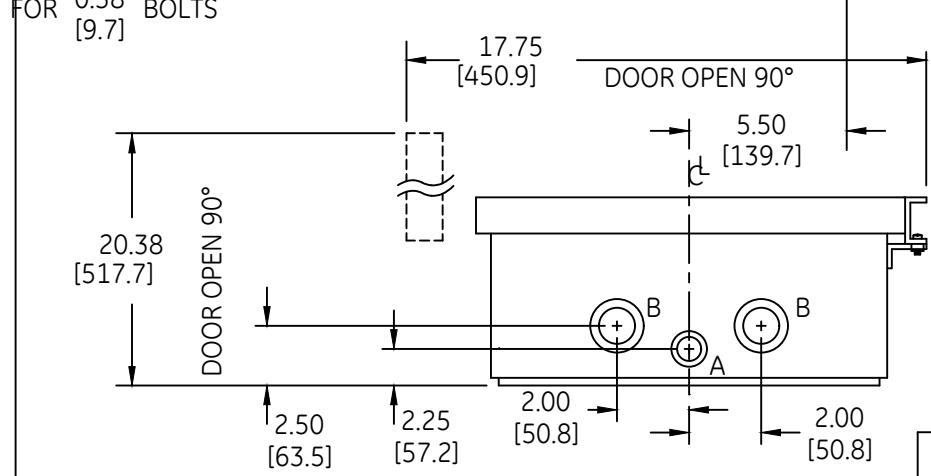
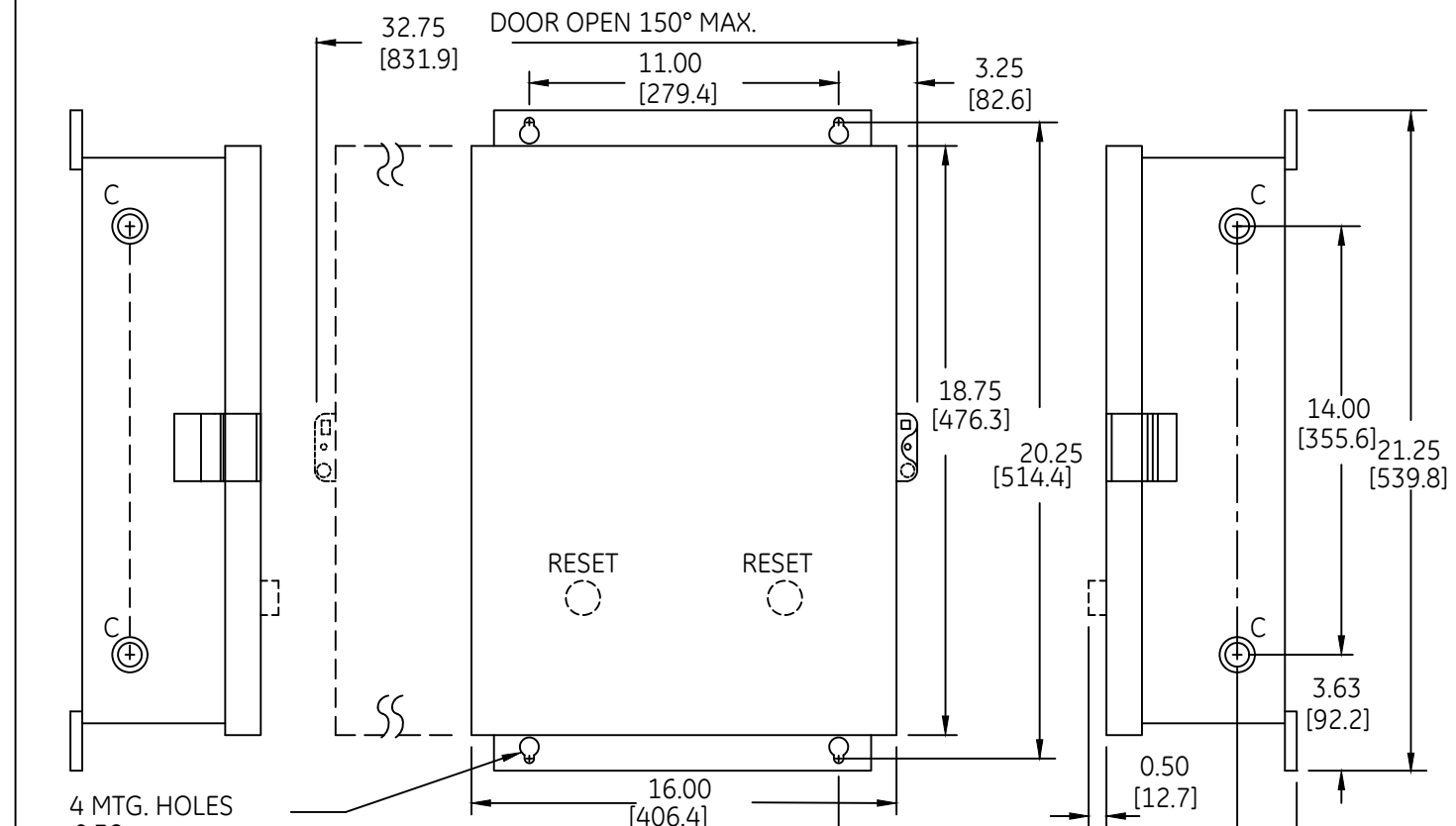
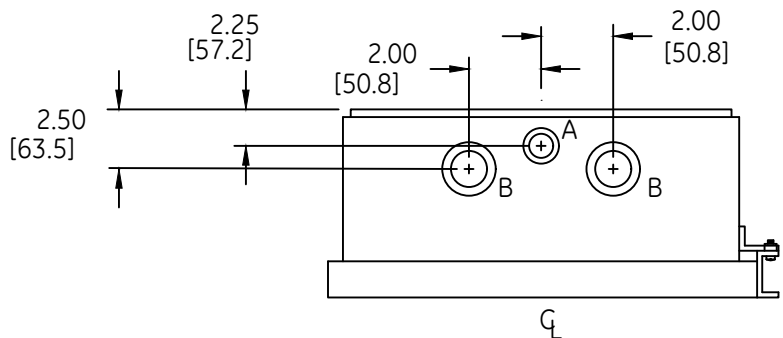


DUAL DIMENSIONS INCHES [MILLIMETERS] (ESTIMATING ONLY)



CONDUIT SIZES

- A - 0.50 x 0.75 TOP & BOTTOM [12.7] [19.1]
- B - 0.75 x 1.00 TOP & BOTTOM [19.1] [25.4]
- C - 0.50 x 0.75 BOTH SIDES [12.7] [19.1]



OUTLINE  
TYPE 1 ENCLOSED

THIRD ANGLE	SHEET#	DWG NO.	DATE	REV
	1 of 1	55-181646	03/21	06