

TABLE A	TABLE B
STANDARD PILOT DEVICES ON - OFF START-STOP 	OIL-TIGHT PILOT DEVICES ON - OFF START-STOP
PUSHBUTTONS OFF ON (OMIT WIRE "B")	PUSHBUTTONS OFF ON (OMIT WIRE "B")
2 POSITION SELECTOR SWITCH HAND OFF AUTO (OMIT WIRE "B")	2 POSITION SELECTOR SWITCH HAND OFF AUTO (OMIT WIRE "B")
REMOTE DEVICE 	REMOTE DEVICE
3 POSITION SELECTOR SWITCH 	3 POSITION SELECTOR SWITCH

-NOMENCLATURE-
M-LINE CONTACTOR
OL-OVERLOAD RELAY
I-INDICATING LIGHT
FU-FUSE
X-INDICATES CONTACT CLOSED

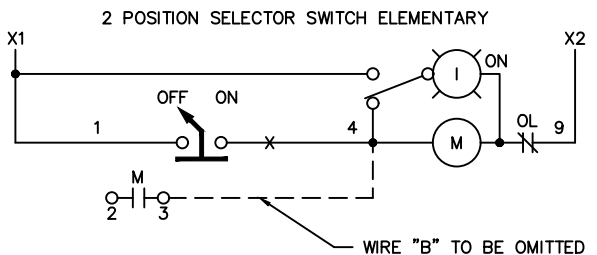
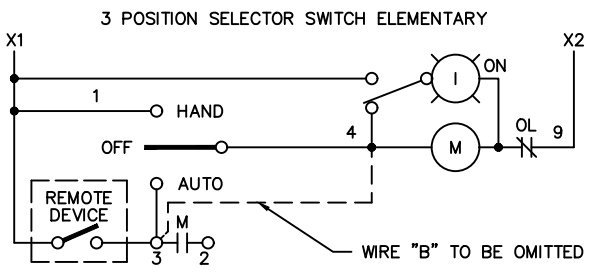
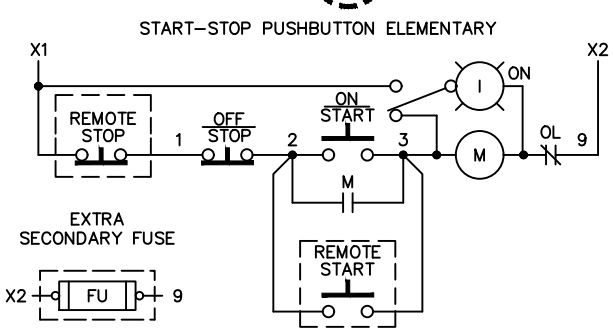
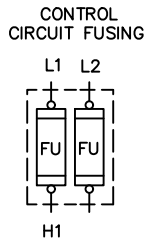
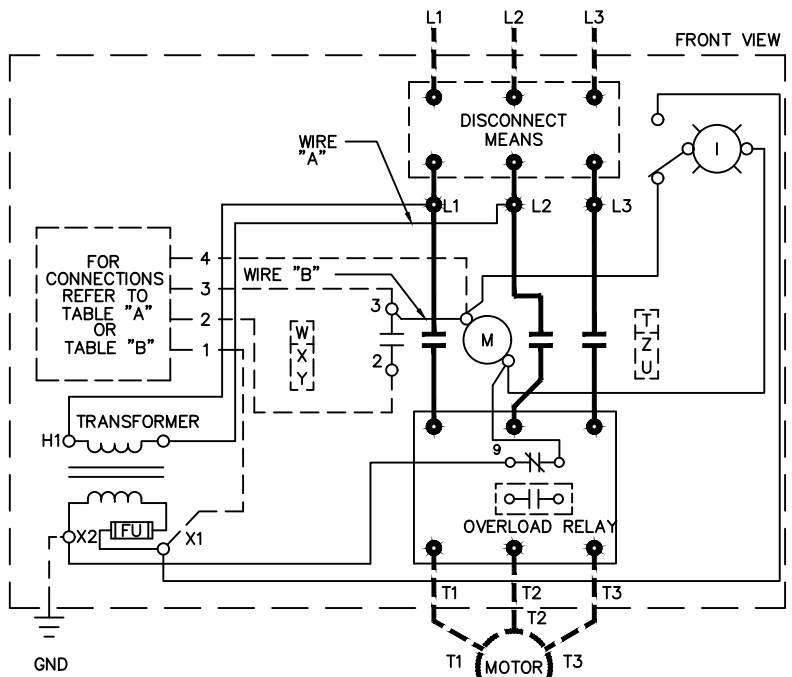
NOTE: ADDITIONAL OVER-CURRENT PROTECTION MAY BE REQUIRED. REFER TO THE NATIONAL ELECTRICAL CODE OR LOCAL ELECTRICAL CODE AS REQUIRED.

USE 75°C COPPER CONDUCTORS ONLY, FOR	LINE	LOAD
FIELD WIRING. TORQUE	CR306 20 LB-IN	20 LB-IN
LINE AND LOAD TERMINALS	CR307 AS MARKED	20 LB-IN
AS MARKED OR AS SHOWN	CR308 35 LB-IN	20 LB-IN
AT RIGHT:	CR387 AS MARKED	20 LB-IN

- FOR 1-PHASE OPERATION USING
- SOLID STATE OVERLOAD RELAY - SEE GEH-6430 (sz 1,2) OR GEH-6431 (sz 3,4)
 - THERMAL OVERLOAD RELAY - CHANGE CONNECTION WIRE "A" FROM L2 TO L3. CONNECT LINE TO L1 AND L3 AND LOAD TO T1 AND T3.

FOR STARTER WITHOUT DISCONNECT MEANS - WIRE LINE DIRECT TO L1, L2 AND L3 ON STARTER.
FOR EXTRA AUXILIARY CONTACTS - A MAXIMUM OF 4 CONTACTS MAY BE ADDED AT POSITIONS T,U,W,X,Y & Z FOR SIZE 0 & 1 ONLY.

GROUND KIT	
1/2-IN CONDUIT	55-213403G001
3/4-IN CONDUIT	55-213403G002
1-IN CONDUIT	55-213403G003
1 1/4-IN CONDUIT	55-213403G004
1 1/2-IN CONDUIT	55-213403G005
2-IN CONDUIT	55-213403G006
2 1/2-IN CONDUIT	55-213403G007
3-IN CONDUIT	55-213403G008



WIRING DIAGRAM
FVNR SIZE 00, 0 & 1

THIRD ANGLE	SHEET#	DWG NO.	DATE	REV
	1 of 1	55-182090	02/21	12