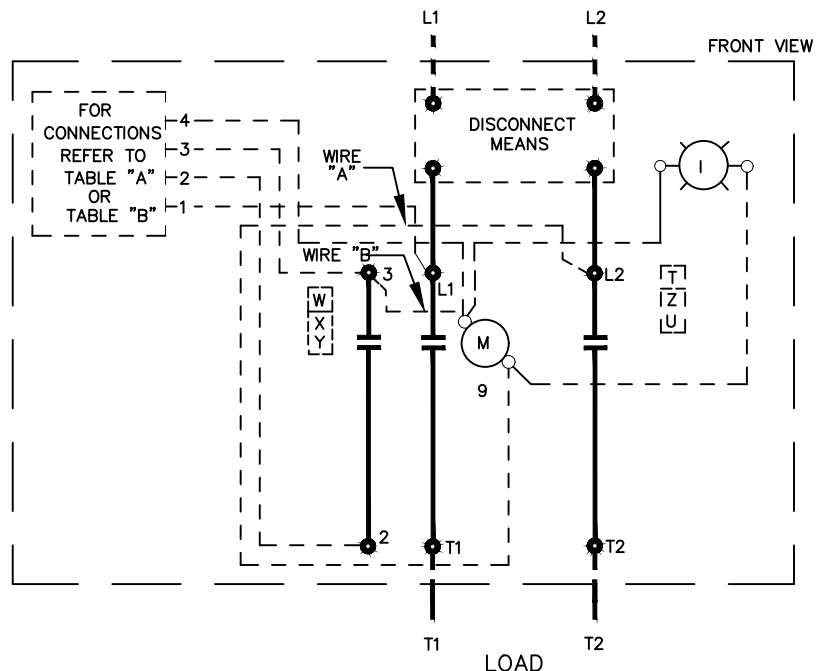


TABLE A STANDARD PILOT DEVICES	TABLE B OIL-TIGHT PILOT DEVICES
START-STOP 	START-STOP
PUSHBUTTONS OFF ON (OMIT WIRE "B")	PUSHBUTTONS OFF ON (OMIT WIRE "B")
2 POSITION SELECTOR SWITCH HAND RED 1 OFF AUTO WHITE 3 BLACK 4 (OMIT WIRE "B")	2 POSITION SELECTOR SWITCH HAND OFF AUTO 1 WHITE 3 BLACK 4 (OMIT WIRE "B")
REMOTE DEVICE 1 3 3 POSITION SELECTOR SWITCH	REMOTE DEVICE 1 3 3 POSITION SELECTOR SWITCH



—NOMENCLATURE—
M—LINE CONTACTOR
I—INDICATING LIGHT
FU—FUSE
X—INDICATES CONTACT CLOSED

FOR CSA—GND KIT
1/2—IN CONDUIT 55-213403G001
3/4—IN CONDUIT 55-213403G002

NOTE: REFER TO THE NATIONAL ELECTRICAL CODE.
ADDITIONAL CONTROL CIRCUIT OVERCURRENT PROTECTION MAY BE REQUIRED.

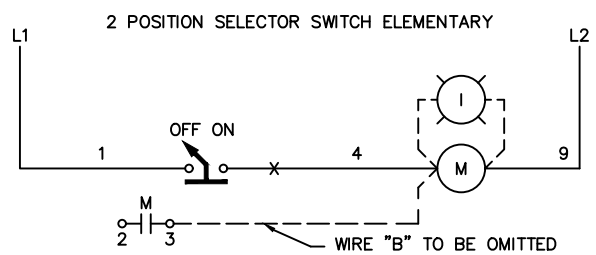
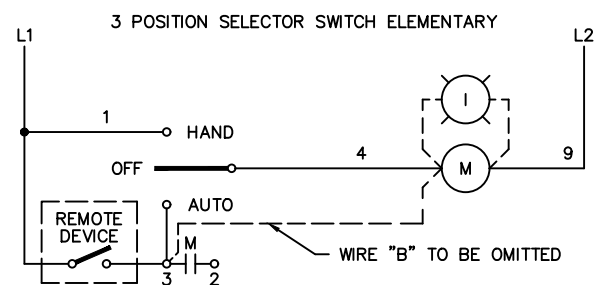
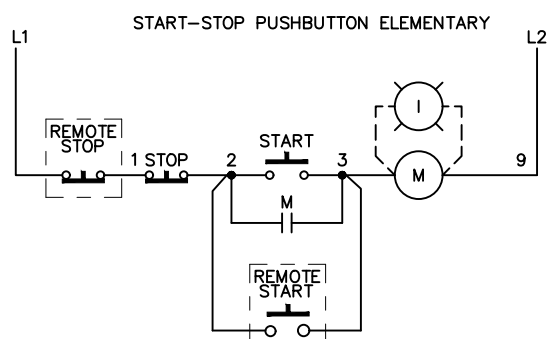
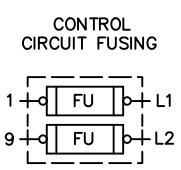
FOR EXTRA AUXILIARY CONTACTS — A MAXIMUM OF 4 CONTACTS MAY BE ADDED AT POSITIONS T,U,W,X,Y & Z FOR SIZE 0 & 1 ONLY.

FOR CONTACTOR WITHOUT DISCONNECT MEANS — WIRE LINE DIRECT TO L1 AND L2 ON CONTACTOR.

FOR SEPARATE CONTROL SOURCE — CONNECT SOURCE TO 9 ON COIL AND TO 1 ON PILOT DEVICE.

USE 75°C COPPER CONDUCTORS ONLY, FOR FIELD WIRING. TORQUE LINE AND LOAD TERMINALS AS SHOWN AT RIGHT:

	LINE	LOAD
CR305	20 LB-IN	20 LB-IN
CR307	AS MARKED	20 LB-IN
CR308	35 LB-IN	20 LB-IN
CR387	AS MARKED	20 LB-IN



WIRING DIAGRAM
FVNR SIZE 00, 0 & 1

THIRD ANGLE	SHEET#	DWG NO.	DATE	REV
	1 of 1	55-182643	02/21	09