

TABLE A	TABLE B
STANDARD PILOT DEVICES	OIL-TIGHT PILOT DEVICES
ON-OFF START-STOP 	ON-OFF START-STOP
PUSHBUTTONS	PUSHBUTTONS
OFF ON (OMIT WIRE "B")	OFF ON (OMIT WIRE "B")
2 POSITION SELECTOR SWITCH	2 POSITION SELECTOR SWITCH
HAND OFF AUTO (OMIT WIRE "B")	HAND OFF AUTO (OMIT WIRE "B")
REMOTE DEVICE 	REMOTE DEVICE
3 POSITION SELECTOR SWITCH	3 POSITION SELECTOR SWITCH

NOTE: ADDITIONAL OVER-CURRENT PROTECTION MAY BE REQUIRED. REFER TO THE NATIONAL ELECTRICAL CODE OR LOCAL ELECTRICAL CODE AS REQUIRED.

TERMINAL TIGHTENING TORQUE (LB-IN)

SIZE	LOAD SIDE		LINE SIDE		
	THERMAL OL	ELECTRONIC OL	CR306	CR307,387	CR308
2	50	20	50	AS MARKED	50
3	150	200	150	AS MARKED	50
4	200	200	200	AS MARKED	275

-NOMENCLATURE-
 M-LINE CONTACTOR
 OL-OVERLOAD RELAY
 I-INDICATING LIGHT
 FU-FUSE
 X-INDICATES CONTACT CLOSED



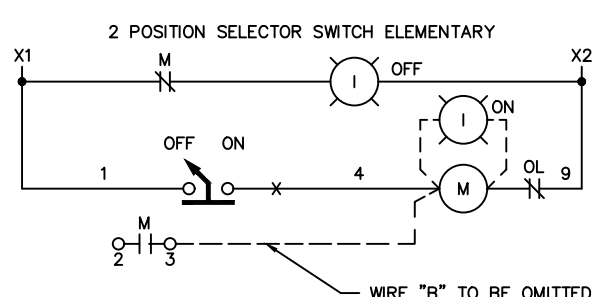
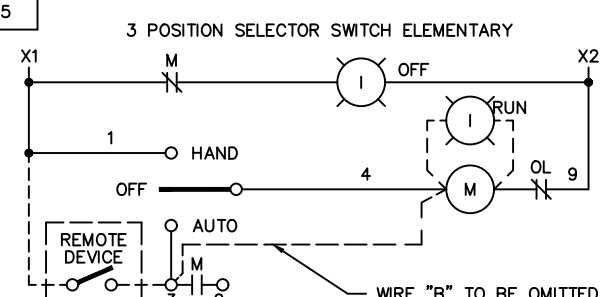
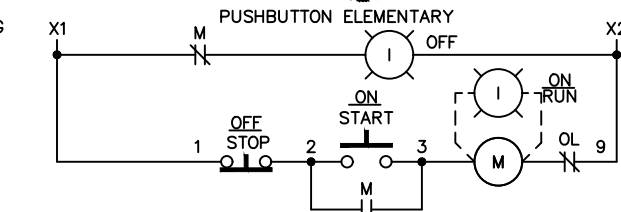
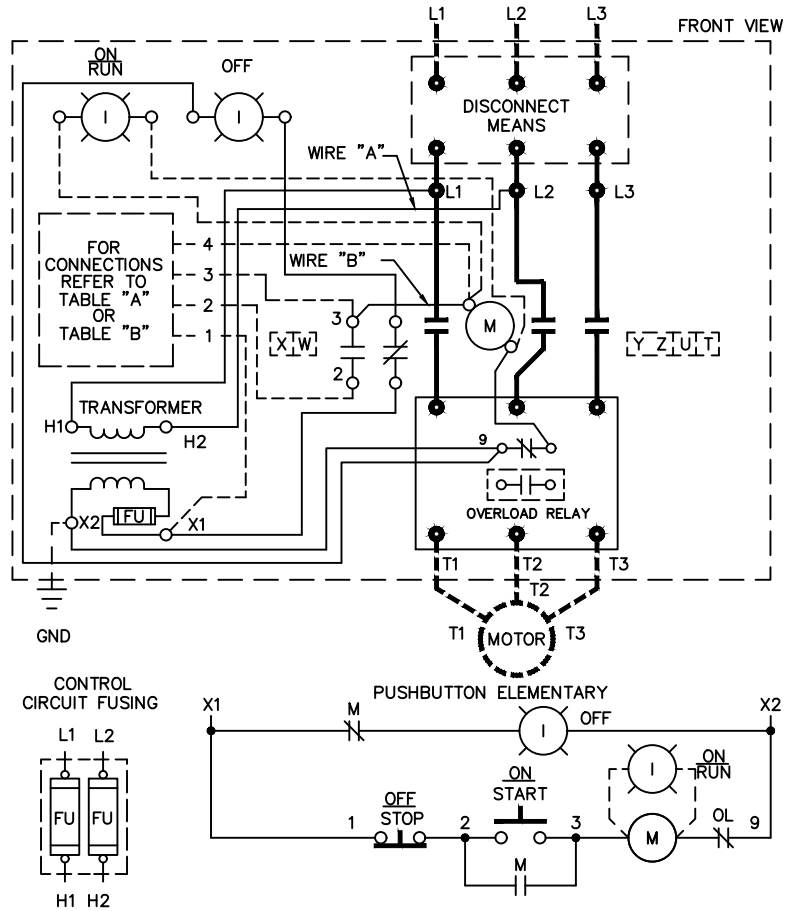
- FOR 1-PHASE OPERATION USING
- SOLID STATE OVERLOAD RELAY
SEE GEH-6430(sz 1,2) OR GEH-6431 (sz 3,4)
 - THERMAL OVERLOAD RELAY
CHANGE CONNECTION WIRE "A" FROM L2 TO L3.
CONNECT LINE TO L1 AND L3 AND LOAD TO T1 AND T3.

FOR STARTER WITHOUT DISCONNECT MEANS - WIRE LINE DIRECT TO L1, L2 AND L3 ON STARTER.

FOR EXTRA AUXILIARY CONTACT- A MAXIMUM OF 4 CONTACTS MAY BE ADDED AT POSITIONS T,U,W,X,Y,& Z.

GROUND KIT

1/2-IN CONDUIT	55-213403G001
3/4-IN CONDUIT	55-213403G002
1-IN CONDUIT	55-213403G003
1 1/4-IN CONDUIT	55-213403G004
1 1/2-IN CONDUIT	55-213403G005
2-IN CONDUIT	55-213403G006
2 1/2-IN CONDUIT	55-213403G007
3-IN CONDUIT	55-213403G008



WIRING DIAGRAM
 FVNR SIZE 2, 3 & 4

THIRD ANGLE	SHEET#	DWG NO.	DATE	REV
	1 of 1	55-183396	02/21	14