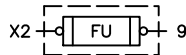


TABLE A STANDARD PILOT DEVICES	TABLE B OIL-TIGHT PILOT DEVICES
START-STOP 	START-STOP
PUSHBUTTONS OFF ON (OMIT WIRE "B")	PUSHBUTTONS OFF ON (OMIT WIRE "B")
2 POSITION SELECTOR SWITCH HAND OFF AUTO (OMIT WIRE "B")	2 POSITION SELECTOR SWITCH HAND OFF AUTO (OMIT WIRE "B")
REMOTE DEVICE 	REMOTE DEVICE
3 POSITION SELECTOR SWITCH 	3 POSITION SELECTOR SWITCH

—NOMENCLATURE—
M—LINE CONTACTOR
OL—OVERLOAD RELAY
I—INDICATING LIGHT
FU—FUSE
X—INDICATES CONTACT CLOSED

EXTRA
SECONDARY FUSE



GROUND KIT

1/2-IN CONDUIT	55-213403G001
3/4-IN CONDUIT	55-213403G002
1-IN CONDUIT	55-213403G003
1 1/4-IN CONDUIT	55-213403G004
1 1/2-IN CONDUIT	55-213403G005
2-IN CONDUIT	55-213403G006
2 1/2-IN CONDUIT	55-213403G007
3-IN CONDUIT	55-213403G008

USE 75°C COPPER CONDUCTORS ONLY, FOR FIELD WIRING. TORQUE LINE AND LOAD TERMINALS AS MARKED OR AS SHOWN AT RIGHT:

	LINE	LOAD
CR306	20 LB-IN	20 LB-IN
CR307	AS MARKED	20 LB-IN
CR308	35 LB-IN	20 LB-IN
CR387	AS MARKED	20 LB-IN

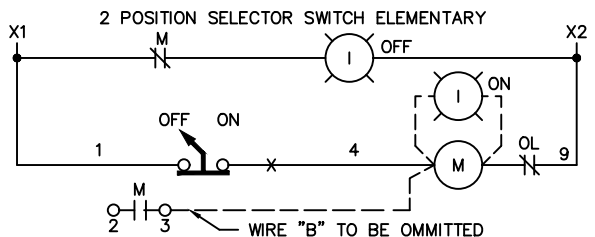
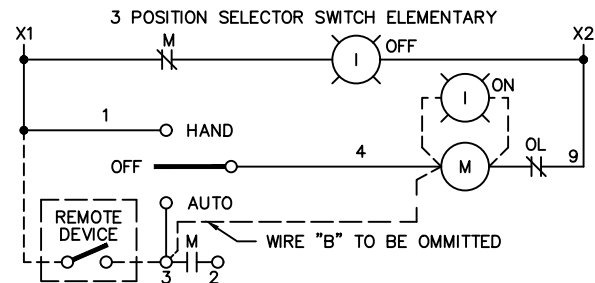
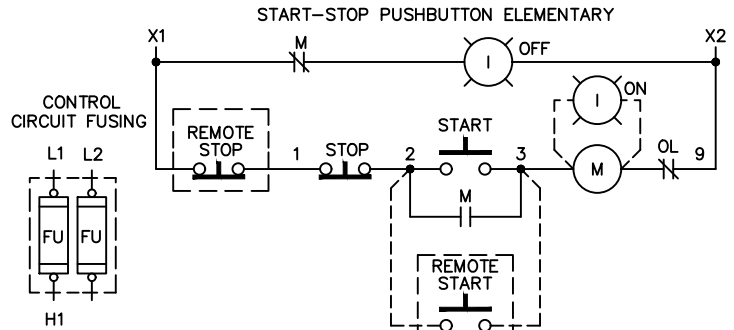
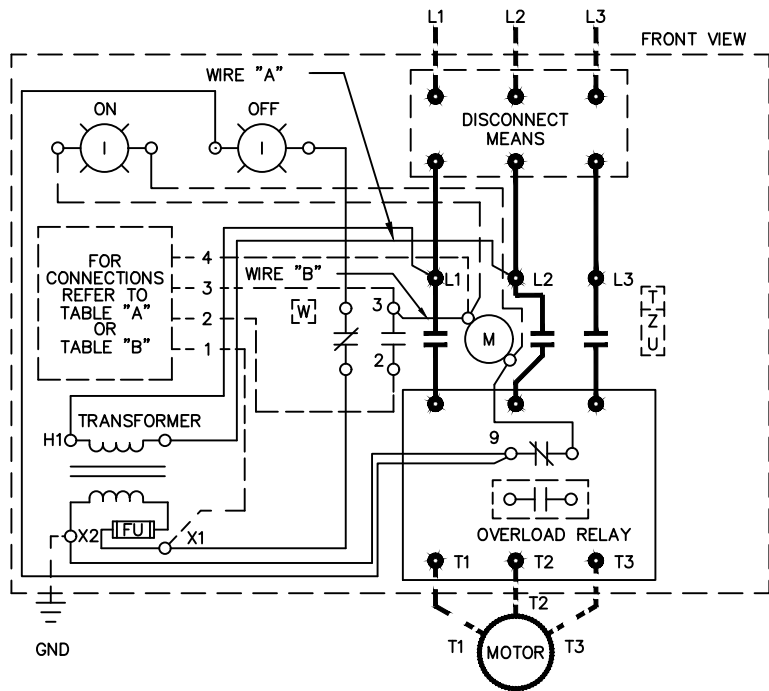
NOTE: ADDITIONAL OVER-CURRENT PROTECTION MAY BE REQUIRED. REFER TO THE NATIONAL ELECTRICAL CODE OR LOCAL ELECTRICAL CODE AS REQUIRED.

FOR 1-PHASE OPERATION USING

- SOLID STATE OVERLOAD RELAY SEE GEH-6430(sz 1,2) OR GEH-6431 (sz 3,4)
- THERMAL OVERLOAD RELAY CHANGE CONNECTION WIRE "A" FROM L2 TO L3. CONNECT LINE TO L1 AND L3 AND LOAD TO T1 AND T3.

FOR STARTER WITHOUT DISCONNECT MEANS — WIRE LINE DIRECT TO L1, L2 AND L3 ON STARTER.

FOR EXTRA AUXILIARY CONTACTS— A MAXIMUM OF 3 CONTACTS MAY BE ADDED AT POSITIONS T,U,W & Z FOR SIZE 0 & 1 ONLY.



ABB

WIRING DIAGRAM
FVNR SIZE 00, 0 & 1

THIRD ANGLE	SHEET#	DWG NO.	DATE	REV
	1 of 1	55-183642	02/21	09