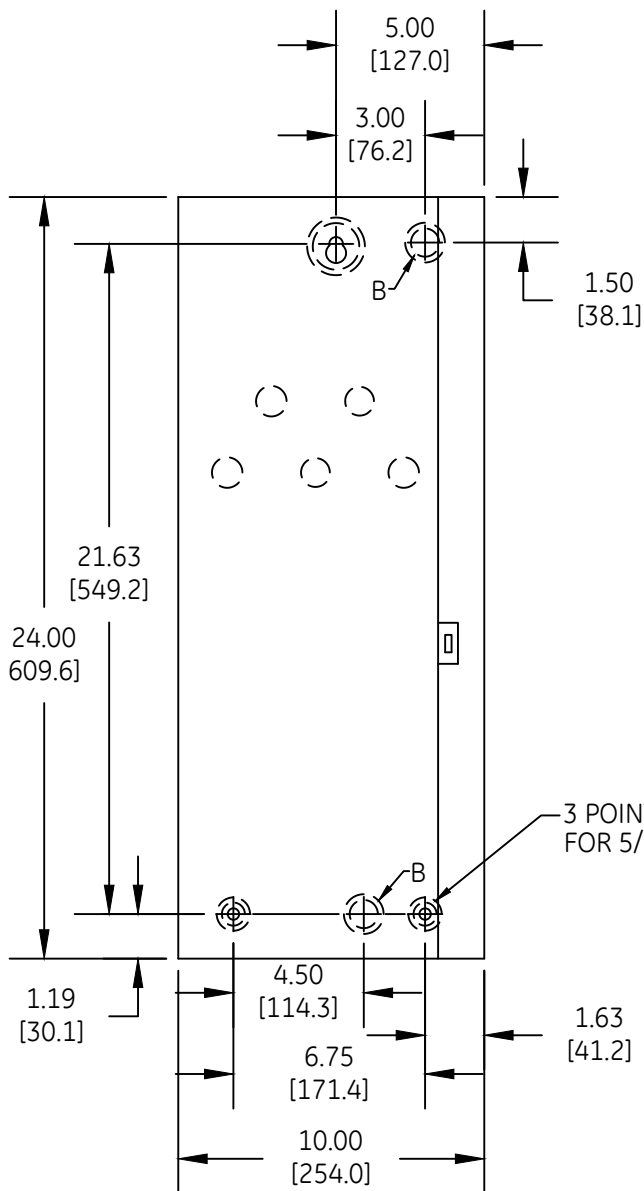


DUAL DIMENSIONS

INCHES
[MILLIMETERS]

(ESTIMATING ONLY)



COVER MTG. PILOT DEVICES 1.44 MAX. [36.5]

0.06 MATERIAL [1.6] THICKNESS

HOLES FOR 0.38 [9.5] PADLOCKS

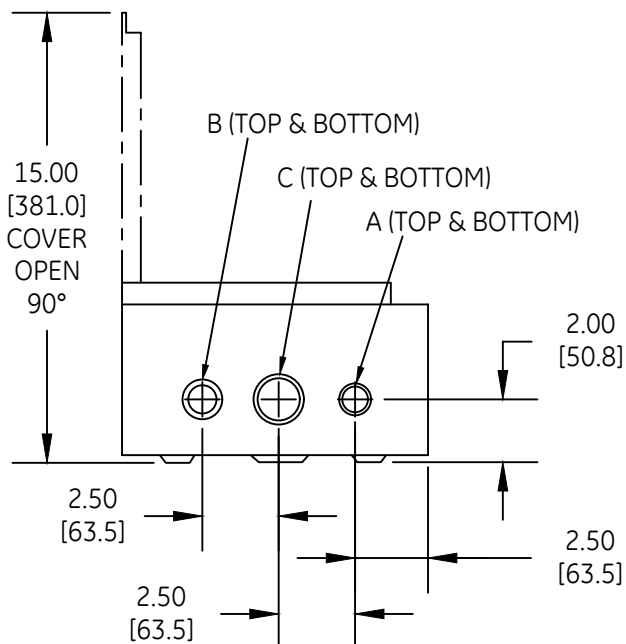
A (BOTH SIDES)

2.00 [50.8]

0.56 [14.3]

2.00 [50.8]

6.13 [155.6]



A - COMB. K.O FOR 0.50 [12.7] OR 0.75 [19.0] CONDUIT

B - COMB. K.O FOR 0.75 [19.0] OR 1.00 [25.4] CONDUIT

C - COMB. K.O FOR 1.00 [25.4] OR 1.25 [31.7] CONDUIT

ABB

OUTLINE
TYPE 1 ENCLOSED

THIRD ANGLE	SHEET#	DWG NO.	DATE	REV
	1 of 1	55-183700	03/21	05