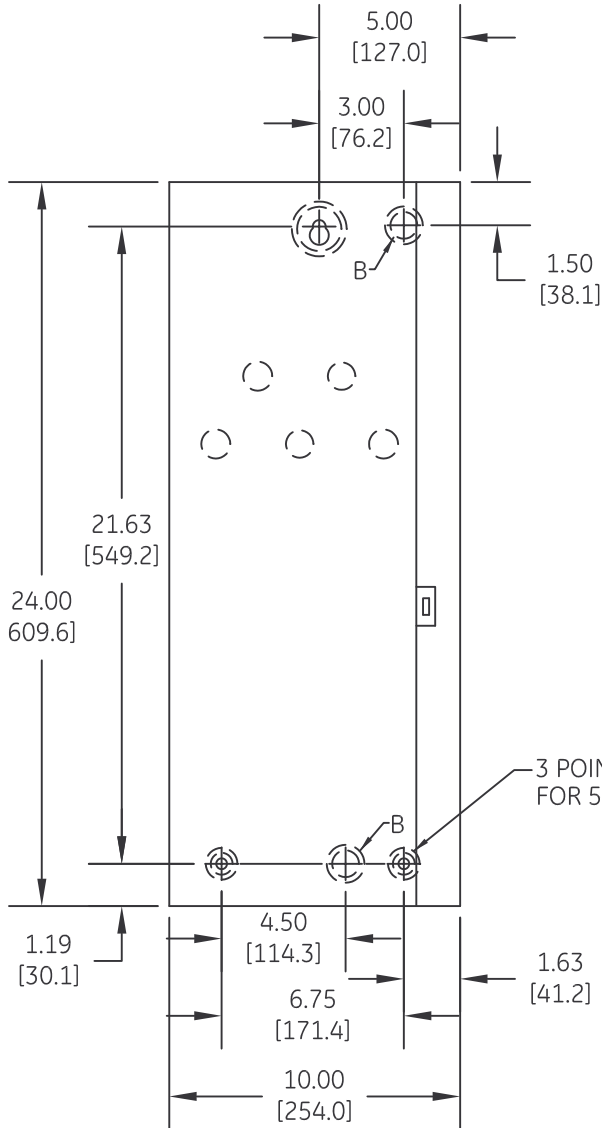
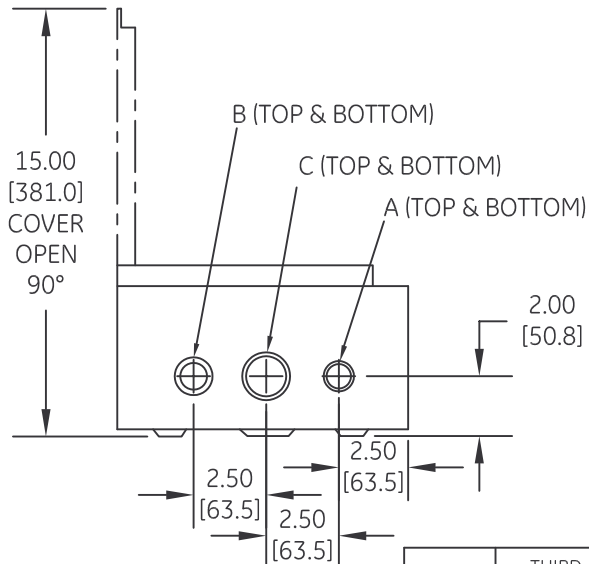
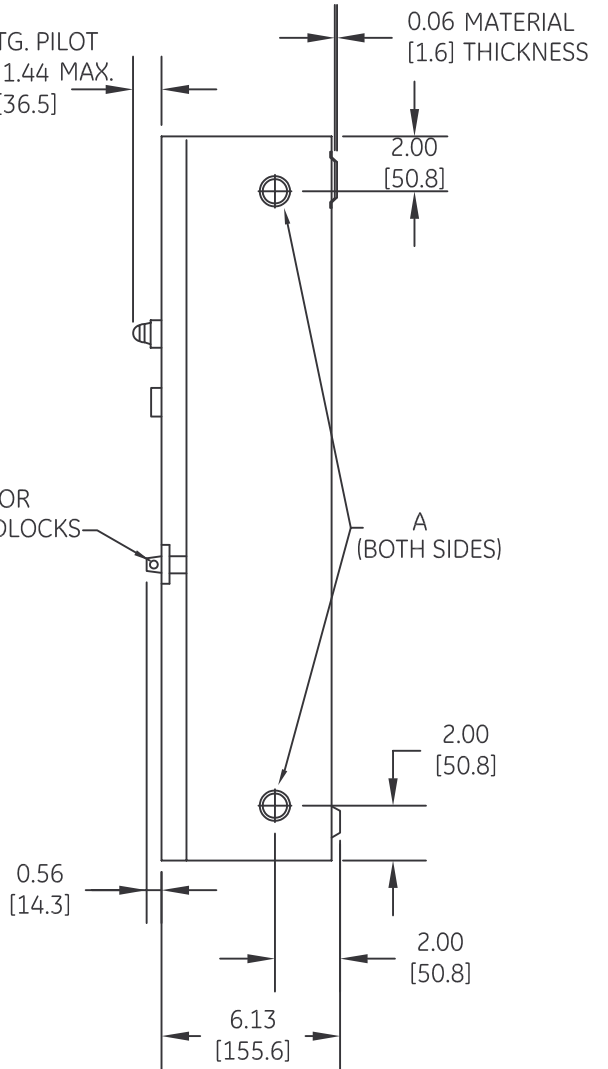


DUAL DIMENSIONS INCHES [MILLIMETERS] (ESTIMATING ONLY)



COVER MTG. PILOT DEVICES 1.44 MAX. [36.5]

HOLES FOR 0.38 PADLOCKS [9.5]



- A - COMB. K.O FOR 0.50 [12.7] OR 0.75 [19.0] CONDUIT
- B - COMB. K.O FOR 0.75 [19.0] OR 1.00 [25.4] CONDUIT
- C - COMB. K.O FOR 1.00 [25.4] OR 1.25 [31.7] CONDUIT



imagination at work

OUTLINE
TYPE 1 ENCLOSED

AN #	THIRD ANGLE PROJECTION	SHEET #
09-9112		1 OF 1

DWG NO.	DATE	REV
55-183700	08/21/2009	3