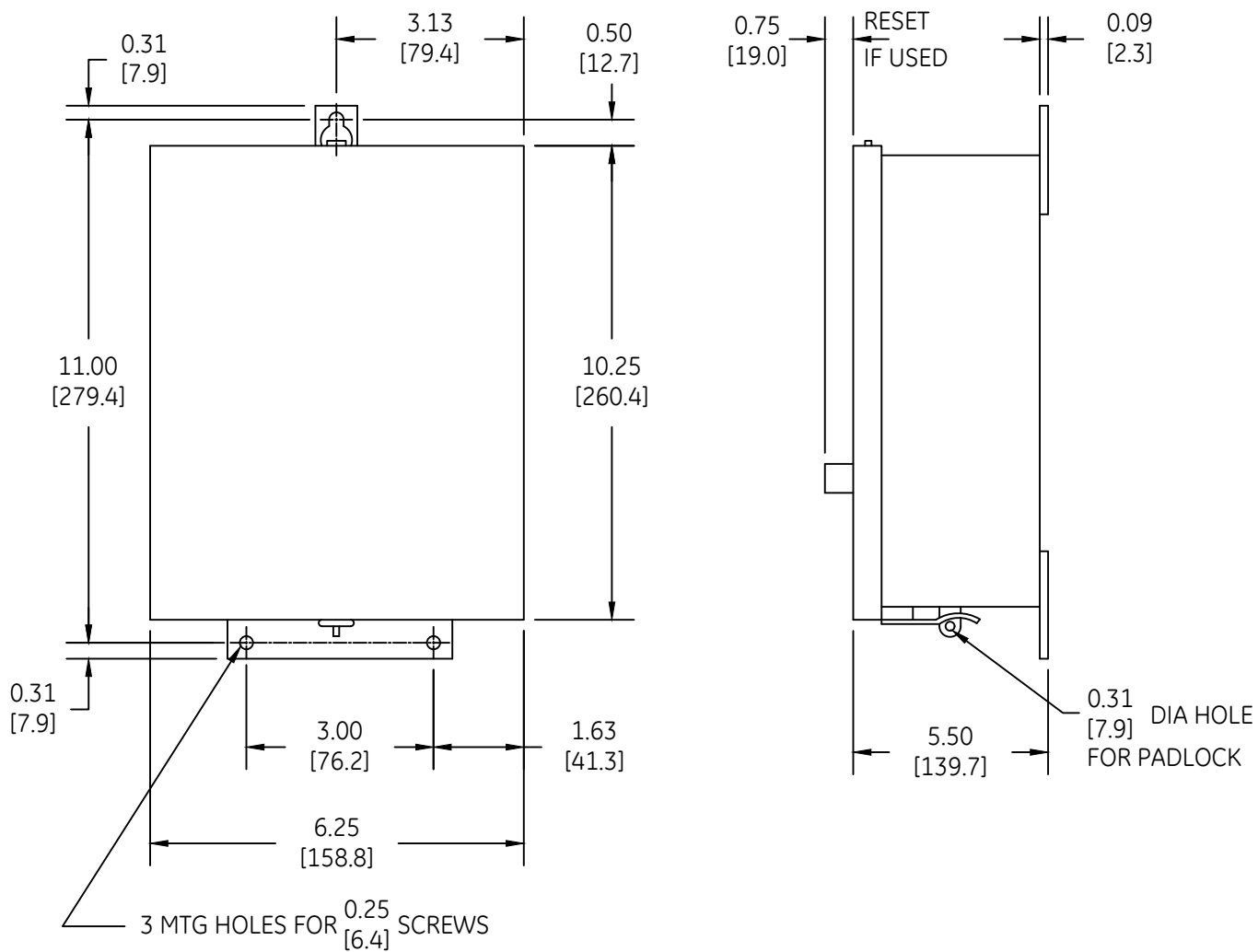


DUAL DIMENSIONS INCHES (ESTIMATING ONLY)
 [MILLIMETERS]



OUTLINE
 TYPE 12 ENCLOSED

THIRD ANGLE	SHEET#	DWG NO.	DATE	REV
	1 of 1	55-184775	03/21	05