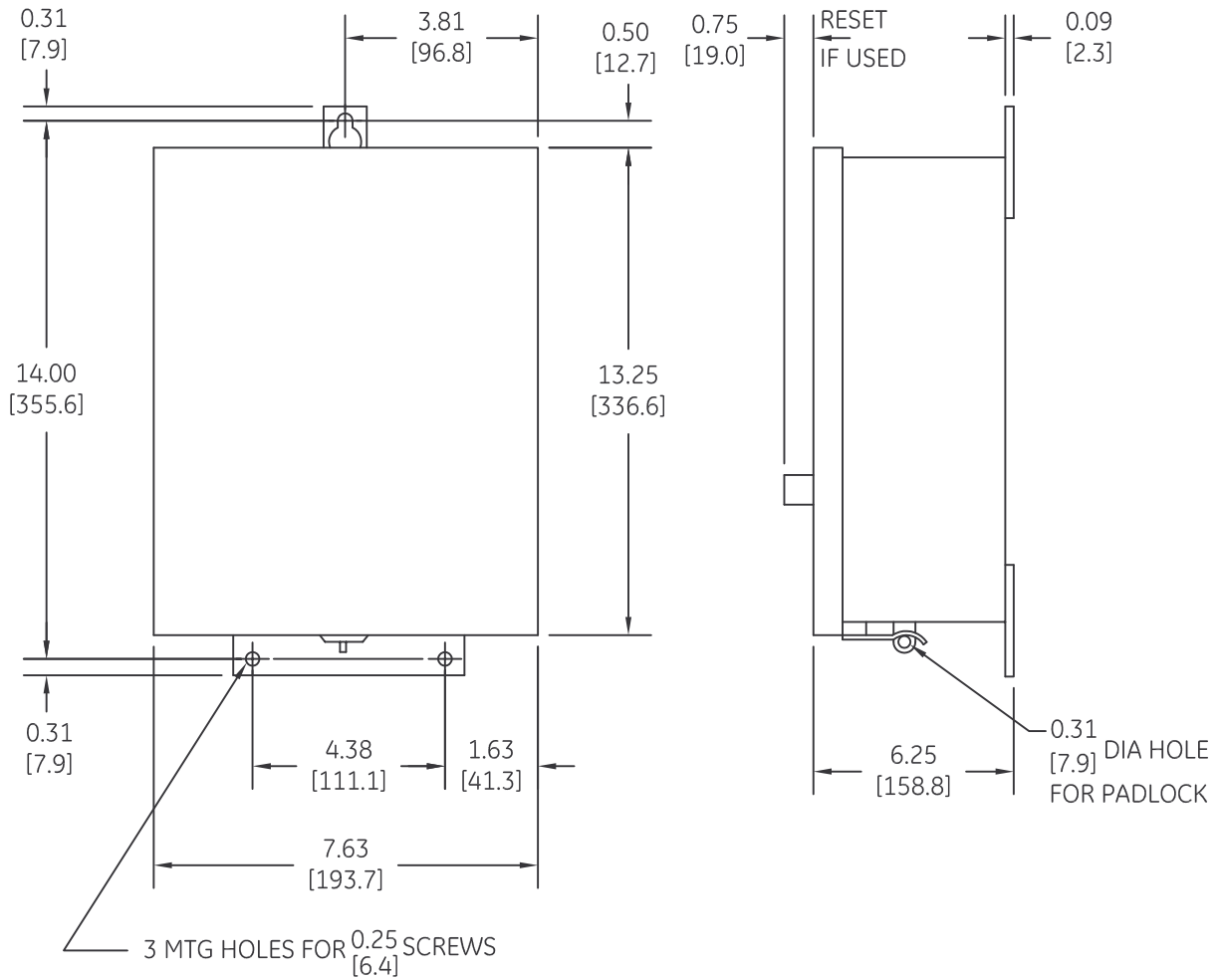

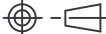


DUAL DIMENSIONS INCHES (ESTIMATING ONLY)  
[MILLIMETERS]



 imagination at work		
OUTLINE TYPE 12 ENCLOSED		
DWG NO.	DATE	REV
55-184779	08/17/2009	2

AN #	THIRD ANGLE PROJECTION	SHEET #
09-9112		1 OF 1