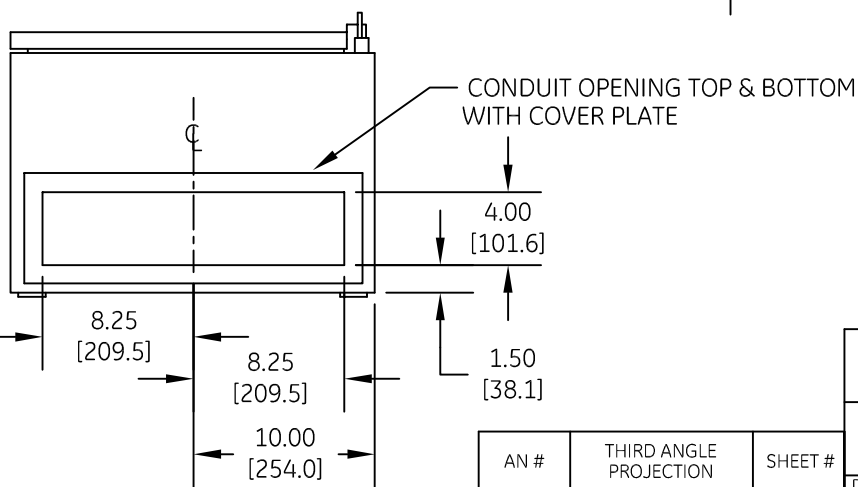
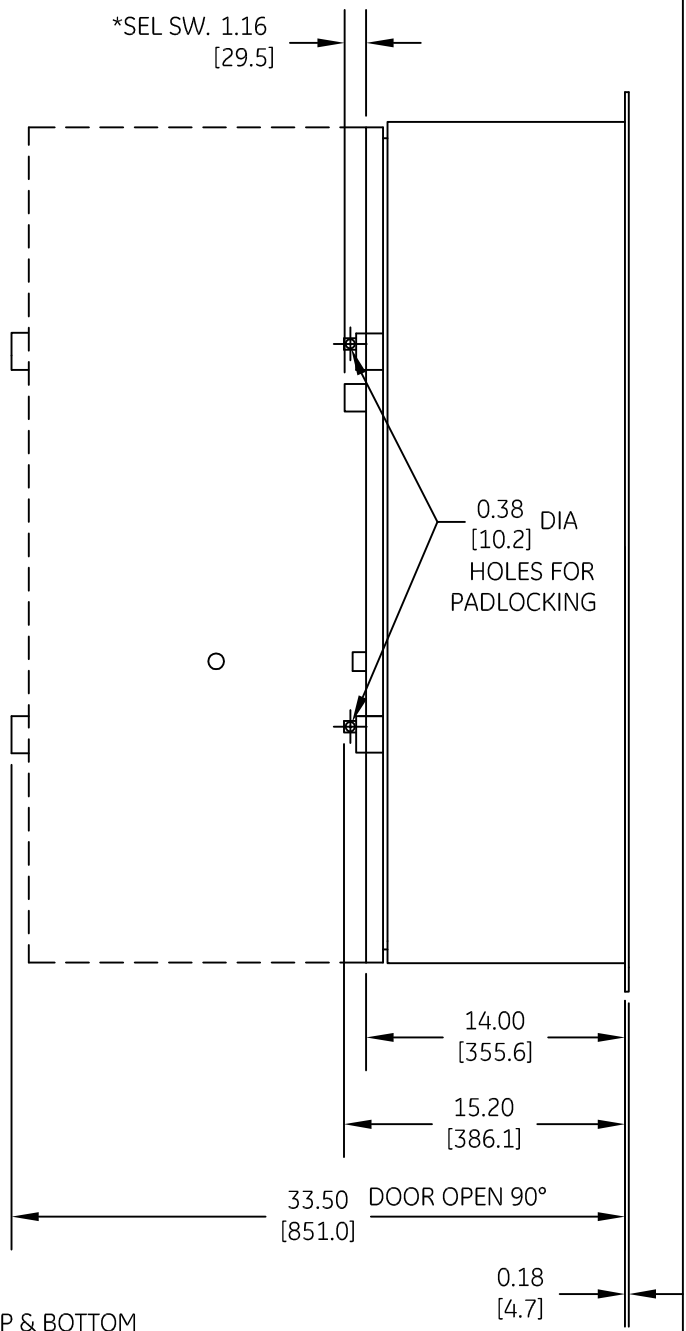
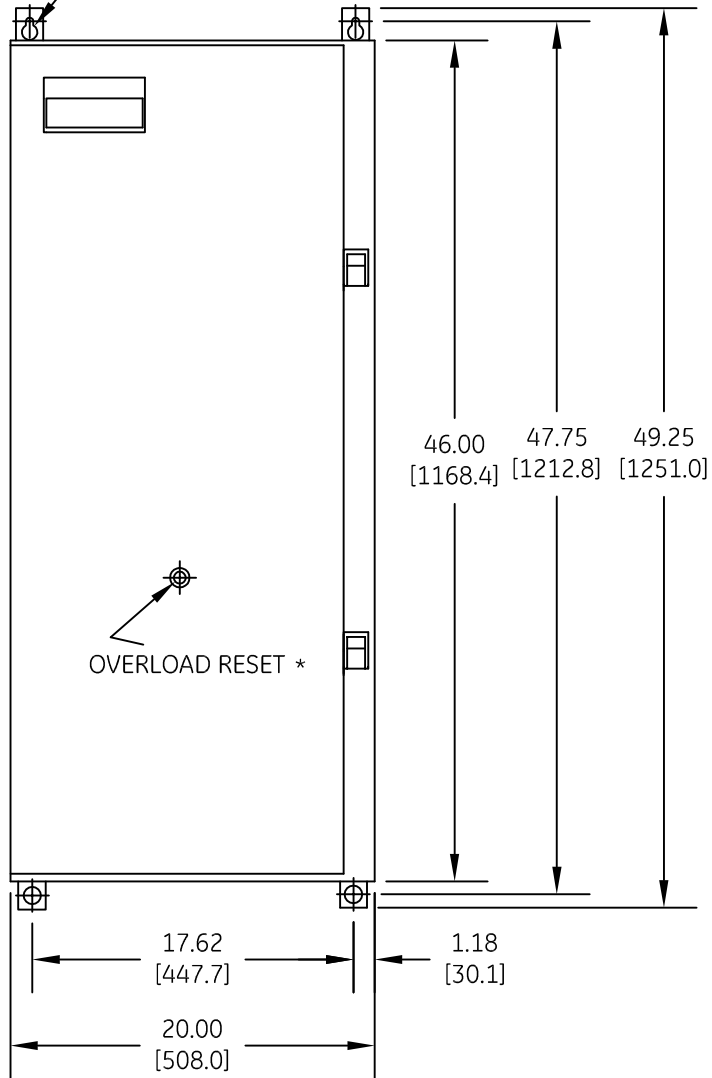


DUAL DIMENSIONS INCHES (ESTIMATING ONLY)
[MILLIMETERS]

(4) MOUNTING HOLES FOR
0.38 BOLTS
[9.5]

*SEL SW. 1.16
[29.5]



* IF USED



imagination at work

OUTLINE
TYPE 1 / 12 ENCLOSED

AN #	THIRD ANGLE PROJECTION	SHEET #
09-9107		1 OF 1

DWG NO.	DATE	REV
55-186660	09/30/2009	1