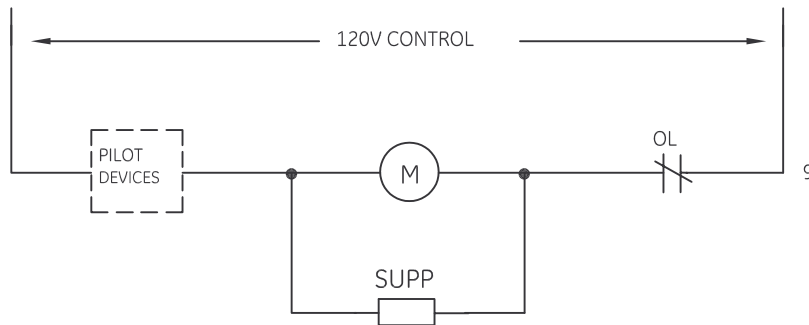
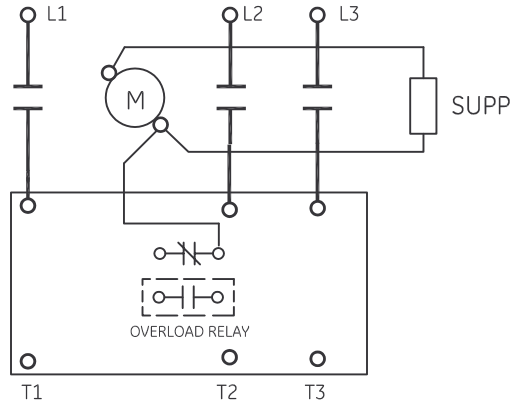


SURGE SUPPRESSOR - (IF ORDERED)

CONTACTOR OR STARTER - WIRED ACROSS COIL


REVERSER OR MULTI-SPEED - WIRED ACROSS EACH COIL

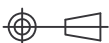
FOR USE WITH 120V AC COILS ONLY



NOMENCLATURE

M      LINE CONTACTOR  
 SUPP      SURGE SUPPRESSOR  
 OL      OVERLOAD RELAY

 imagination at work		
WIRING DIAGRAM SUPPLEMENTAL, SURGE SUPPRESSOR		
DWG NO. <b>55-186888</b>	DATE <b>08/04/2009</b>	REV <b>3</b>

AN #	THIRD ANGLE PROJECTION	SHEET #
09-9111		1 OF 1