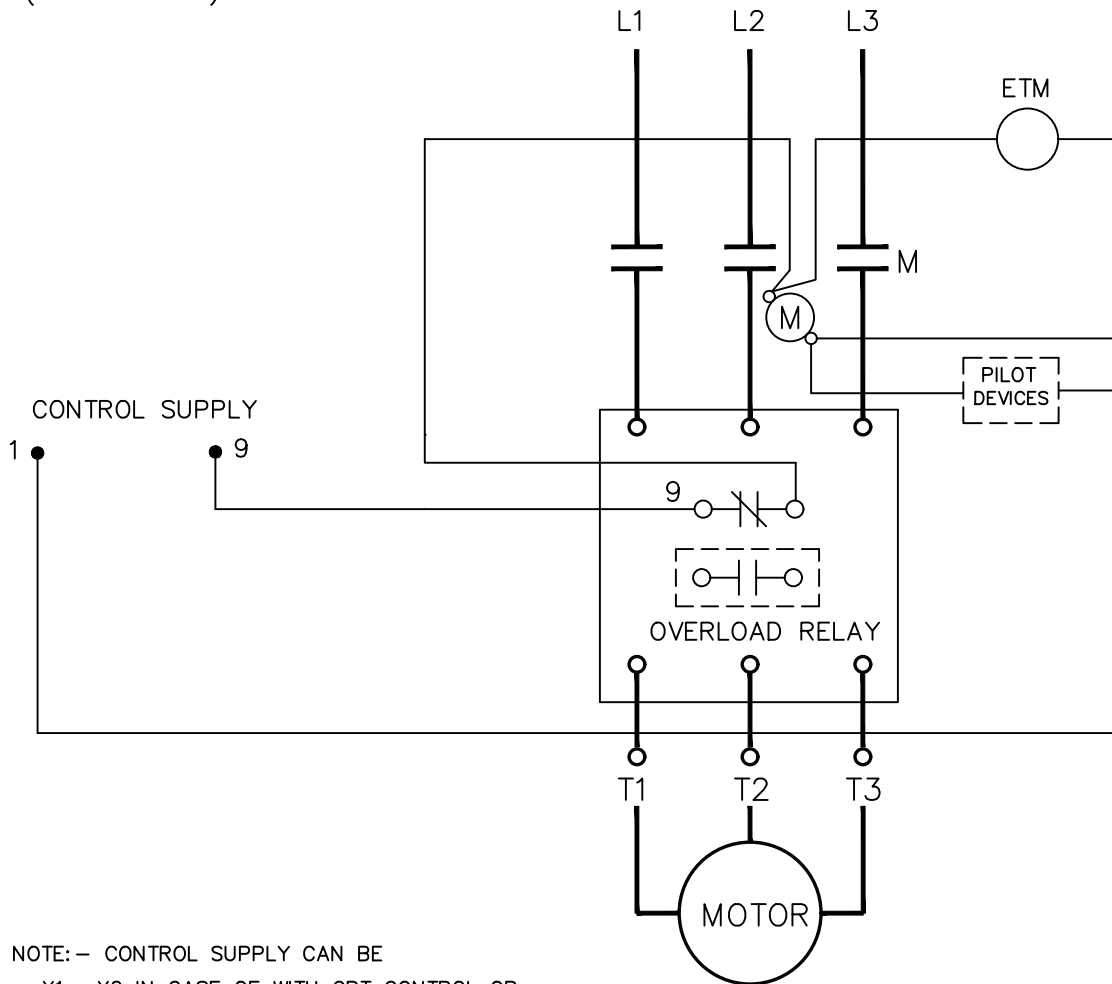


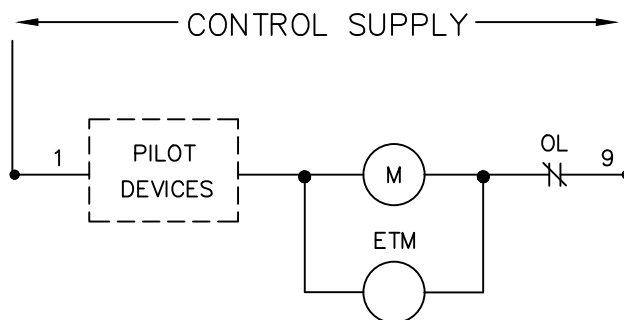
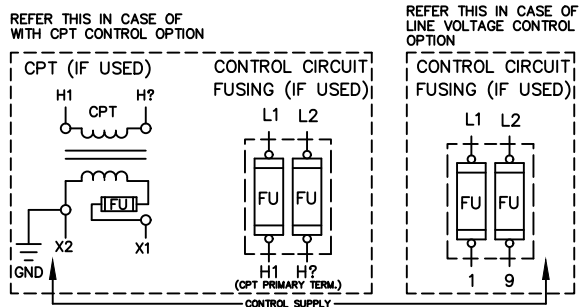
ELAPSED TIME METER – WIRED ACROSS STARTER COIL
(IF ORDERED)



NOTE: – CONTROL SUPPLY CAN BE

- X1 , X2 IN CASE OF WITH CPT CONTROL OR
- L1 & L2 IN CASE OF LINE VOLTAGE CONTROL
- OR SEPARATE CONTROL SOURCE

–NOMENCLATURE–
M–LINE CONTACTOR
OL–OVERLOAD RELAY
FU–FUUSE
CPT–CONTROL POWER TRANSFORMER
ETM –ELAPSED TIME METER



ABB

WIRING DIAGRAM
SUPPLEMENTAL, ETM A/C COIL - FVNR

THIRD ANGLE	SHEET#	DWG NO.	DATE	REV
	1 of 1	55-186889	02/21	05