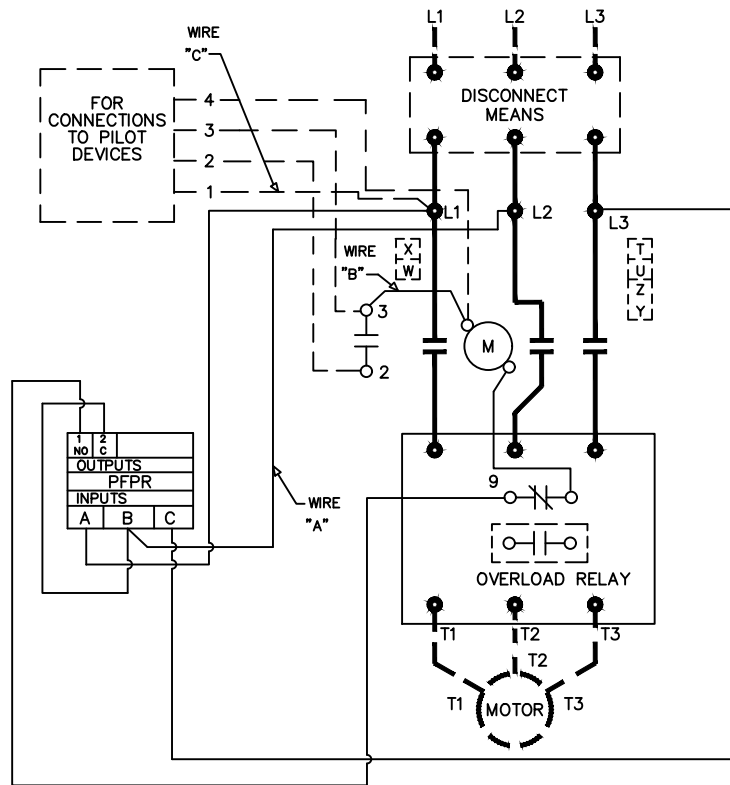
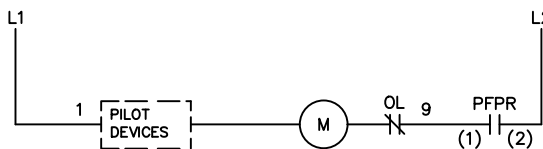
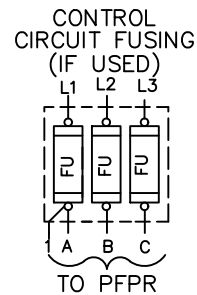


PHASE FAILURE PHASE REVERSAL RELAY (PFPR)  
 LINE VOLTAGE OR SEPARATE CONTROL



—NOMENCLATURE—  
 M—LINE CONTACTOR  
 OL—OVERLOAD RELAY  
 FU—FUUSE  
 PFPR—PHASE FAILURE RELAY  
 (AGASTAT 3 PHASE QUALITY MONITOR)  
 (INSTRUMENT TRANSFORMERS PHASE VOLTAGE RELAY)  
 FOR SEPARATE CONTROL SOURCE — CONTROL WIRES "A" AND "C"  
 AND CONNECT SEPARATE CONTROL SOURCE TO  
 NORMALLY OPEN (NO) CONTACT  
 '2' ON PFPR AND TO 1 ON PILOT DEVICE  
 WIRES "A" AND "C" ARE OMITTED AT FACTORY ON ALL STARTERS  
 WITH A COIL VOLTAGE OF 120V OR LESS.



**ABB**

WIRING DIAGRAM  
 SUPPLEMENTAL, PFPR

THIRD ANGLE	SHEET#	DWG NO.	DATE	REV
	1 of 1	55-186890	02/21	10