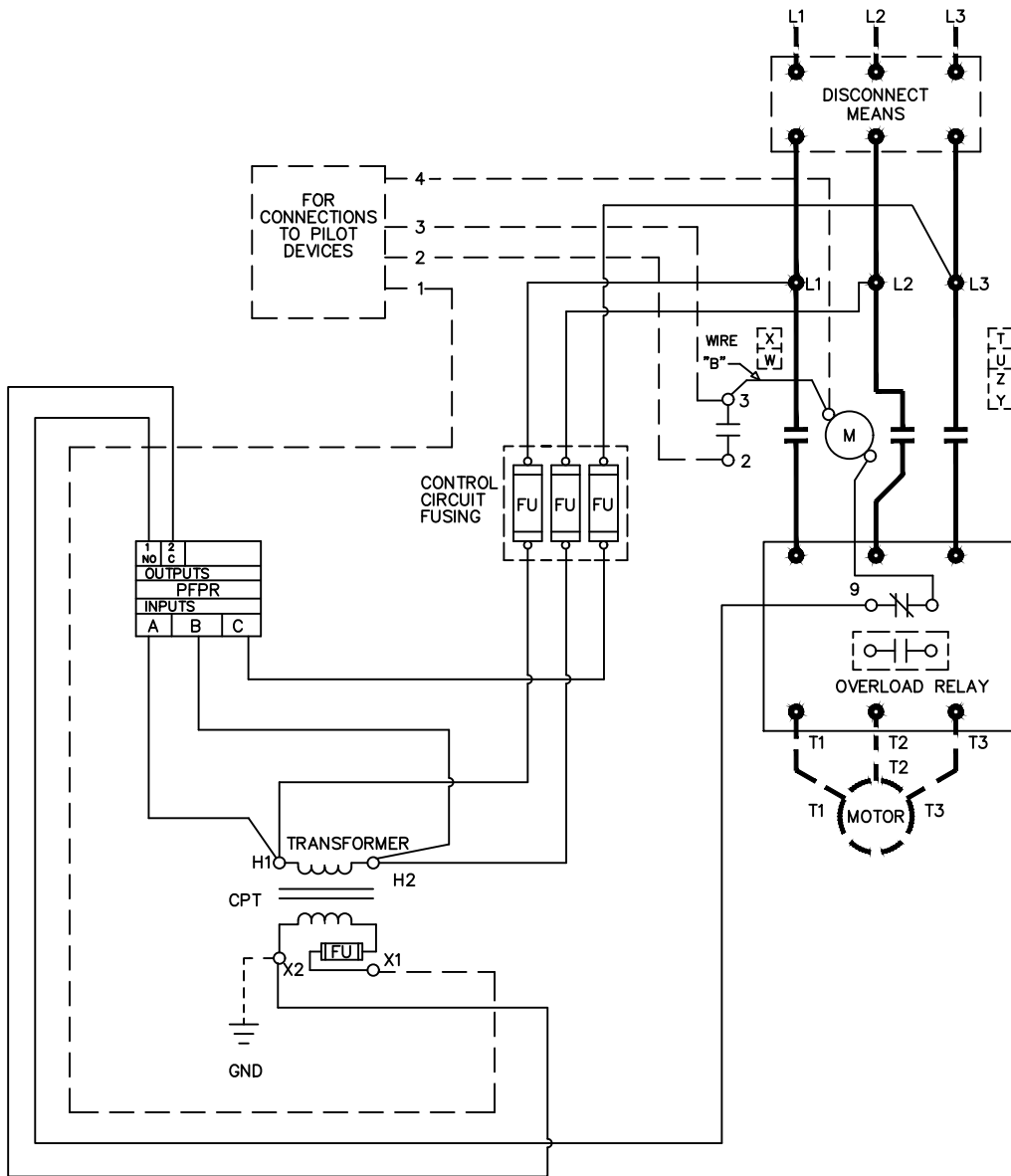
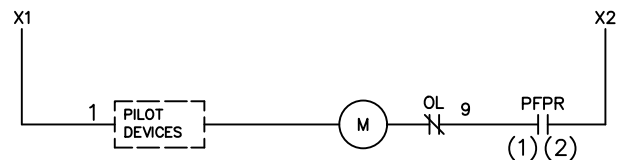


PHASE FAILURE PHASE REVERSAL RELAY (PFPR)

115 VOLT CONTROL



- NOMENCLATURE—
M—LINE CONTACTOR
OL—OVERLOAD RELAY
FU—FUSE
CCF—CONTROL CIRCUIT FUSING
CPT—CONTROL TRANSFORMER
PFPR—PHASE FAILURE RELAY
(AGASTAT 3 PHASE QUALITY MONITOR)
(INSTRUMENT TRANSFORMERS
PHASE VOLTAGE RELAY)



ABB

**WIRING DIAGRAM
SUPPLEMENTAL, PFPR W/ CPT**

THIRD ANGLE	SHEET#	DWG NO.	DATE	REV
⊕	1 of 1	55-186891	02/21	10