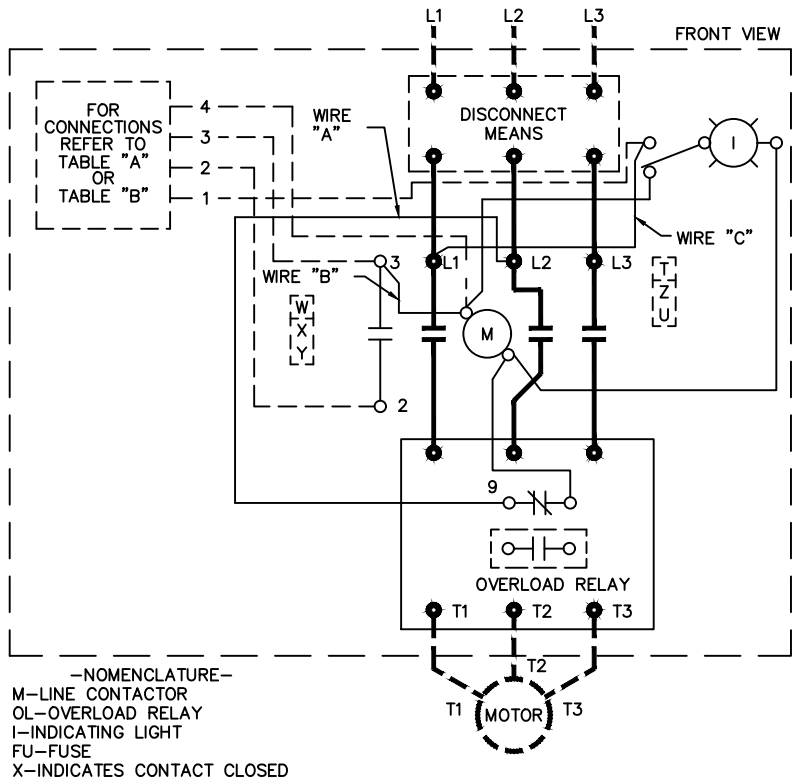


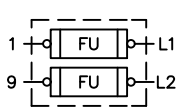
TABLE A STANDARD PILOT DEVICES	TABLE B OIL-TIGHT PILOT DEVICES
ON-OFF START-STOP 	ON-OFF START-STOP
PUSHBUTTONS OFF ON (OMIT WIRE "B")	PUSHBUTTONS OFF ON (OMIT WIRE "B")
2 POSITION SELECTOR SWITCH HAND — RED — 1 OFF — WHITE — 3 AUTO — BLACK — 4 (OMIT WIRE "B")	2 POSITION SELECTOR SWITCH HAND OFF AUTO (OMIT WIRE "B")
REMOTE DEVICE 1 — 3	REMOTE DEVICE 1 — 3
3 POSITION SELECTOR SWITCH	3 POSITION SELECTOR SWITCH



GROUND KIT

1/2-IN CONDUIT	55-213403G001
3/4-IN CONDUIT	55-213403G002
1-IN CONDUIT	55-213403G003
1 1/4-IN CONDUIT	55-213403G004
1 1/2-IN CONDUIT	55-213403G005
2-IN CONDUIT	55-213403G006
2 1/2-IN CONDUIT	55-213403G007
3-IN CONDUIT	55-213403G008

CONTROL CIRCUIT FUSING



USE 75°C COPPER CONDUCTORS ONLY, FOR FIELD WIRING, TORQUE LINE AND LOAD TERMINALS AS MARKED OR AS SHOWN AT RIGHT:	LINE	LOAD
CR307	20 LB-IN	20 LB-IN
CR306	AS MARKED	20 LB-IN
CR308	35 LB-IN	20 LB-IN
CR387	AS MARKED	20 LB-IN

NOTE: ADDITIONAL OVER-CURRENT PROTECTION MAY BE REQUIRED. REFER TO THE NATIONAL ELECTRICAL CODE OR LOCAL ELECTRICAL CODE AS REQUIRED.

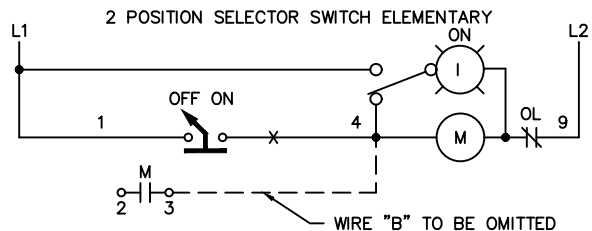
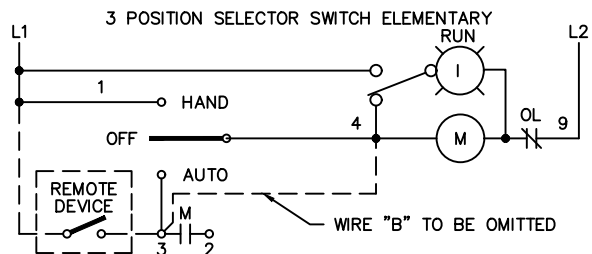
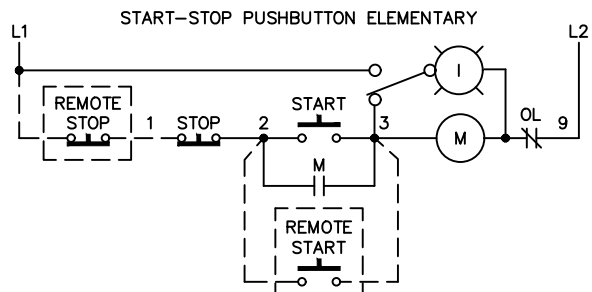
FOR 1-PHASE OPERATION USING

- SOLID STATE OVERLOAD RELAY
SEE GEH-6430 (sz 1,2) OR GEH-6431 (sz 3,4)
- THERMAL OVERLOAD RELAY
CHANGE CONNECTION WIRE "A" FROM L2 TO L3. CONNECT LINE TO L1 AND L3 AND LOAD TO T1 AND T3.

FOR STARTER WITHOUT DISCONNECT MEANS - WIRE LINE DIRECT TO L1, L2 AND L3 ON STARTER.

FOR EXTRA AUXILIARY CONTACTS- A MAXIMUM OF 4 CONTACTS MAY BE ADDED AT POSITIONS T,U,W,X,Y,& Z FOR SIZE 0 & 1 ONLY.

FOR SEPARATE CONTROL SOURCE - OMIT WIRES "A" & "C" AND CONNECT SEPARATE CONTROL SOURCE TO N/C CONTACT ON OL AND TO 1 ON PILOT DEVICE. WIRES "A" & "C" ARE OMITTED AT FACTORY ON ALL STARTERS WITH A COIL VOLTAGE OF 120V OR LESS.



ABB

**WIRING DIAGRAM
FVNR SIZE 00, 0 & 1**

THIRD ANGLE	SHEET#	DWG NO.	DATE	REV
	1 of 1	55-188203	02/21	08