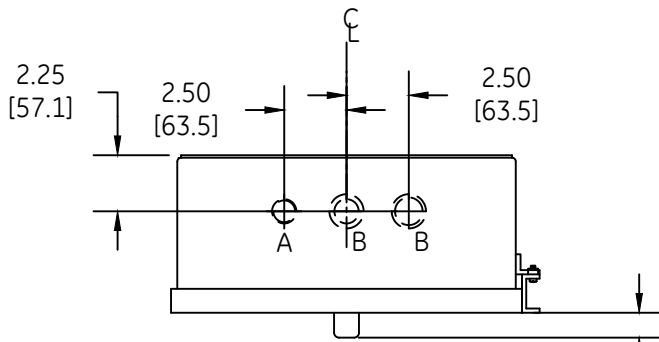
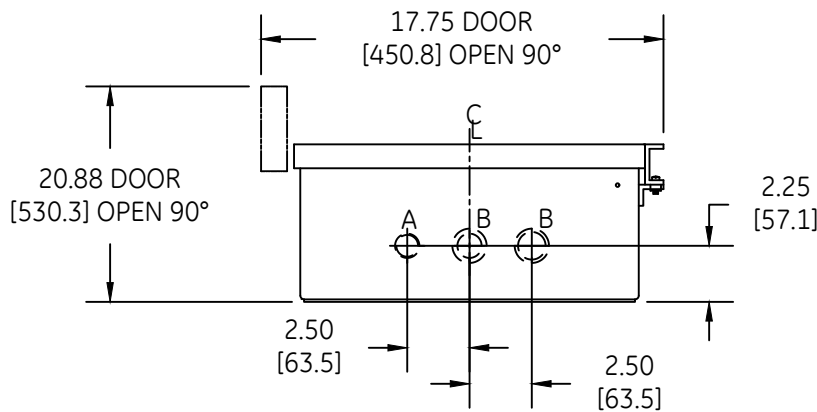
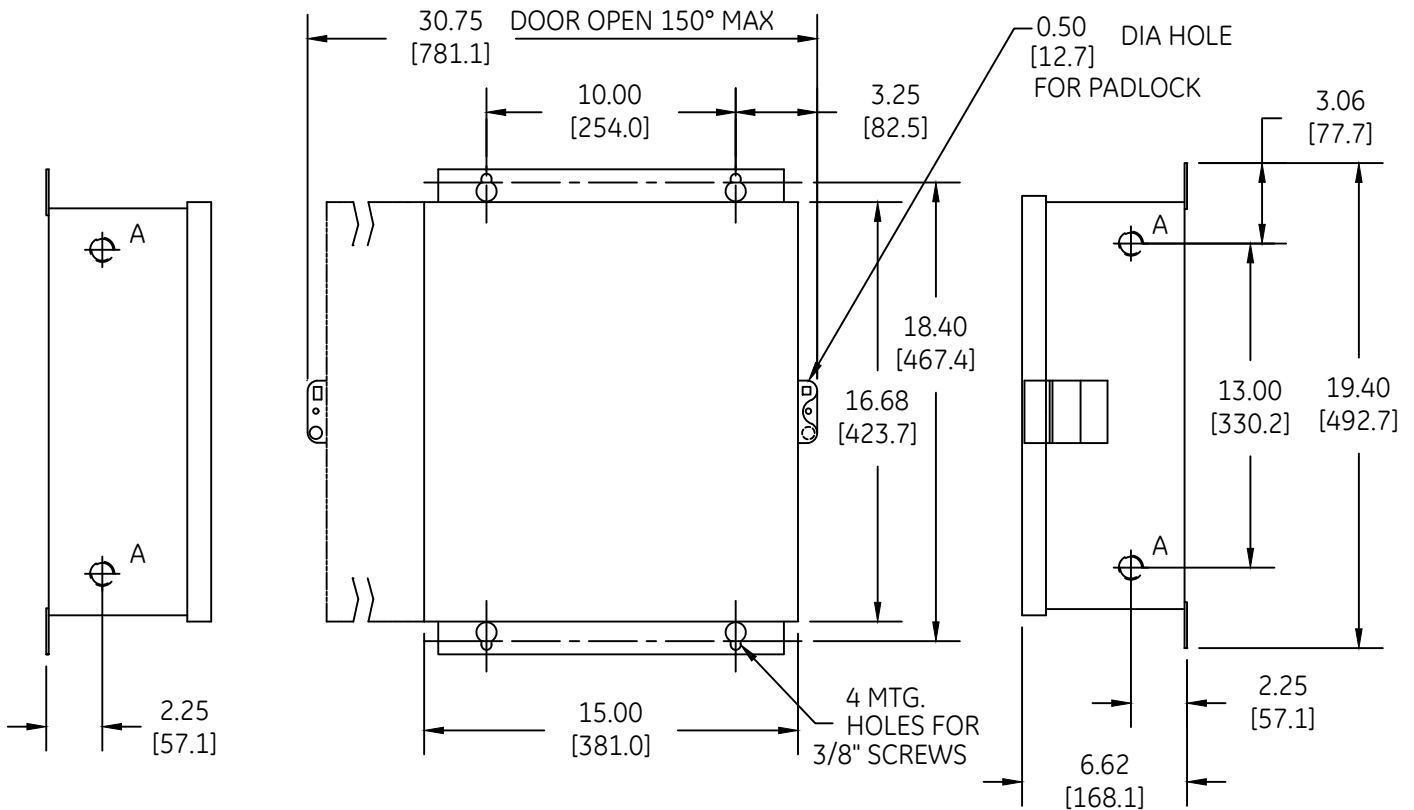


DUAL DIMENSIONS INCHES (ESTIMATING ONLY)
[MILLIMETERS]



0.50 FOR PUSH BUT.
[12.7] OR RESET
0.75 FOR SEL SW.
[19.0]



A - COMB. K.O.'S FOR
0.50 OR 0.75 CONDUIT
[12.7] [19.0]

B - COMB. K.O.'S FOR
1.00 OR 1.25 CONDUIT
[25.4] [31.7]



OUTLINE
TYPE 1 ENCLOSED

THIRD ANGLE	SHEET#	DWG NO.	DATE	REV
	1 of 1	55-188470	03/21	05