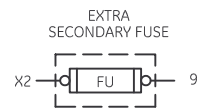
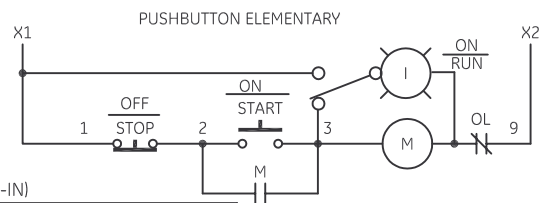
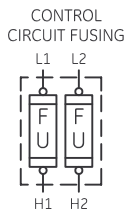
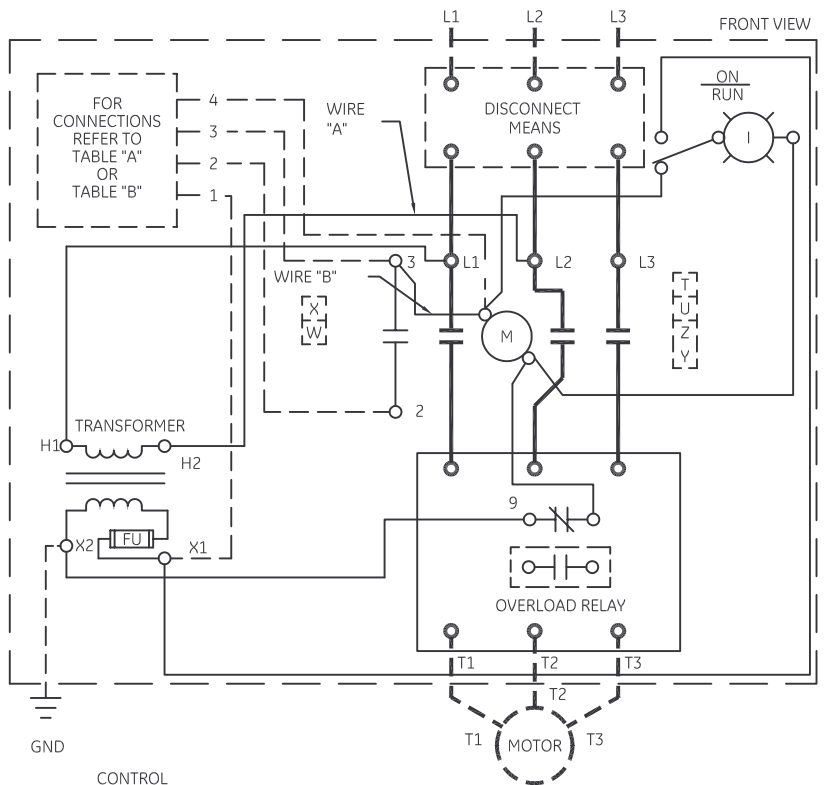


-NOMENCLATURE-
M-LINE CONTACTOR
OL-OVERLOAD RELAY
I-INDICATING LIGHT
FU-FUSE
X-INDICATES CONTACT CLOSED



TERMINAL TIGHTENING TORQUE (LB-IN)

SIZE	LOAD SIDE		LINE SIDE		
	THERMAL OL	ELECTRONIC OL	CR306	CR307,387	CR308
2	50	20	50	AS MARKED	50
3	150	200	150	AS MARKED	50
4	200	200	200	AS MARKED	275

NOTE: ADDITIONAL OVER-CURRENT PROTECTION MAY BE REQUIRED. REFER TO THE NATIONAL ELECTRICAL CODE OR LOCAL ELECTRICAL CODE AS REQUIRED.

FOR 1-PHASE OPERATION USING

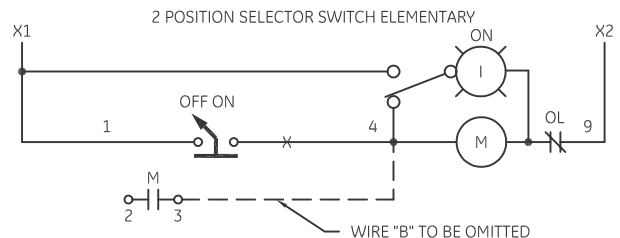
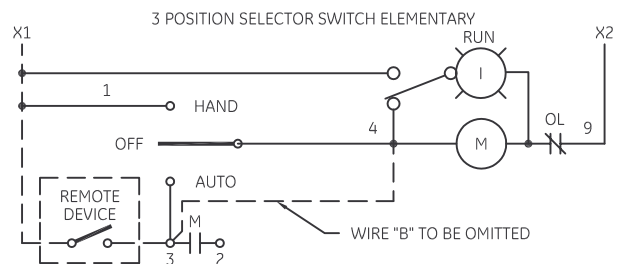
- SOLID STATE OVERLOAD RELAY SEE GEH-6430(sz 1,2) OR GEH-6431 (sz 3,4)
- THERMAL OVERLOAD RELAY CHANGE CONNECTION WIRE "A" FROM L2 TO L3. CONNECT LINE TO L1 AND L3 AND LOAD TO T1 AND T3.

FOR STARTER WITHOUT DISCONNECT MEANS - WIRE LINE DIRECT TO L1, L2 AND L3 ON STARTER.

FOR EXTRA AUXILIARY CONTACTS- A MAXIMUM OF 5 CONTACTS MAY BE ADDED AT POSITIONS T,U,W,X,Y,& Z.

GROUND KIT

1/2-IN CONDUIT	55-213403G001
3/4-IN CONDUIT	55-213403G002
1-IN CONDUIT	55-213403G003
1 1/4-IN CONDUIT	55-213403G004
1 1/2-IN CONDUIT	55-213403G005
2-IN CONDUIT	55-213403G006
2 1/2-IN CONDUIT	55-213403G007
3-IN CONDUIT	55-213403G008



imagination at work

WIRING DIAGRAM
 FVNR SIZE 2, 3 & 4

AN #	THIRD ANGLE PROJECTION	SHEET #
09-9111		1 OF 1

DWG NO.	DATE	REV
55-188974	08/06/2009	9