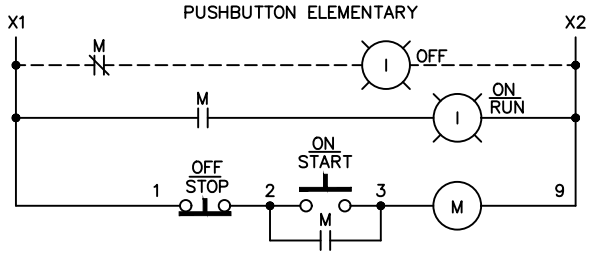
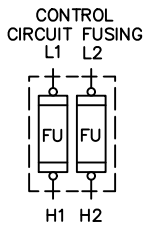
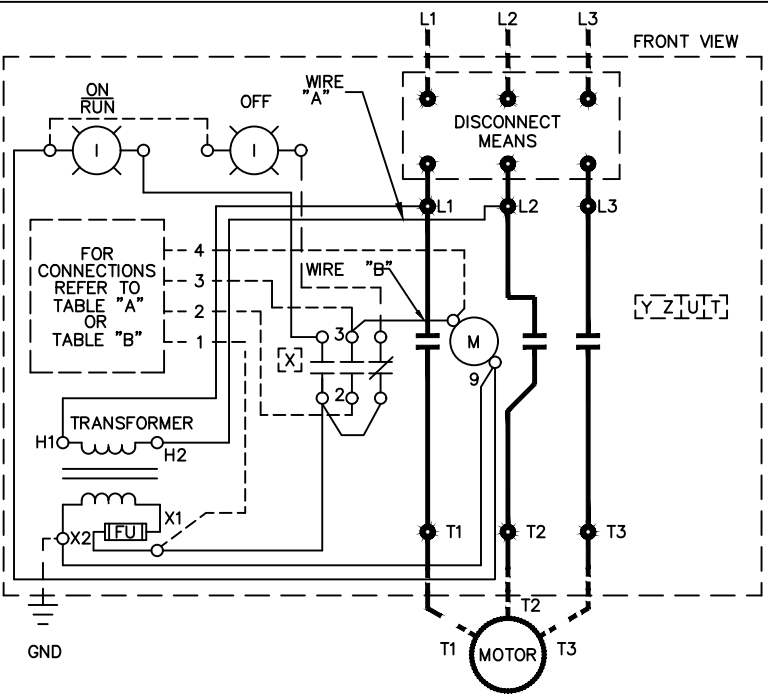


TABLE A	TABLE B
STANDARD PILOT DEVICES ON-OFF START-STOP 	OIL-TIGHT PILOT DEVICES ON-OFF START-STOP
PUSHBUTTONS OFF ON (OMIT WIRE "B")	PUSHBUTTONS OFF ON (OMIT WIRE "B")
2 POSITION SELECTOR SWITCH HAND OFF (OMIT WIRE "B")	2 POSITION SELECTOR SWITCH OFF AUTO (OMIT WIRE "B")
REMOTE DEVICE 	REMOTE DEVICE
3 POSITION SELECTOR SWITCH 	3 POSITION SELECTOR SWITCH

FOR 1-PHASE OPERATION-CHANGE CONNECTION OF WIRE "A" FROM L2 TO L3. CONNECT LINE TO L1 AND L3 AND LOAD TO T1 AND T3.



	SIZE 2	LOAD	SIZE 3	LOAD	SIZE 4	LOAD
USE 75°C COPPER CONDUCTORS ONLY, FOR FIELD WIRING. TORQUE LINE AND LOAD TERMINALS AS SHOWN AT RIGHT:	CR305 50 LB-IN CR307 50 LB-IN CR308 50 LB-IN CR387 AS MARKED	50 LB-IN 50 LB-IN 50 LB-IN	150 LB-IN AS MARKED 50 LB-IN AS MARKED	150 LB-IN 150 LB-IN 150 LB-IN	200 LB-IN AS MARKED 275 LB-IN AS MARKED	200 LB-IN 200 LB-IN 200 LB-IN

-NOMENCLATURE-
 M-LINE CONTACTOR
 I-INDICATING LIGHT
 FU-FUSE
 X-INDICATES CONTACT CLOSED

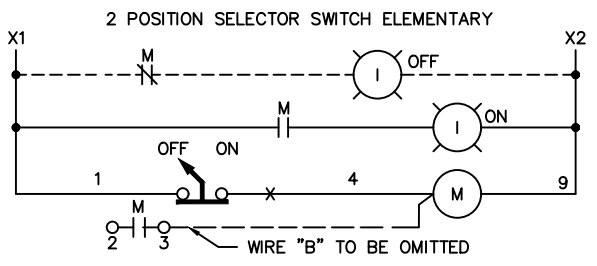
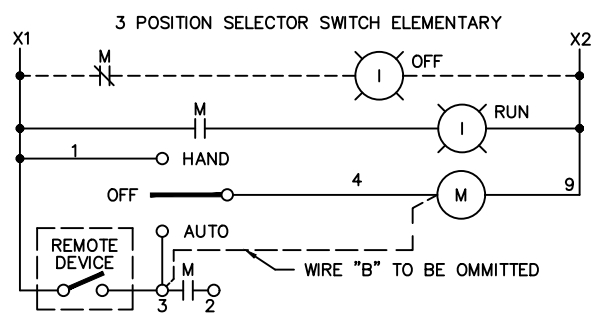


NOTE: REFER TO THE NATIONAL ELECTRICAL CODE. ADDITIONAL CONTROL CIRCUIT OVER-CURRENT PROTECTION MAY BE REQUIRED.

FOR CONTACTOR WITHOUT DISCONNECT MEANS - WIRE LINE DIRECT TO L1, L2 AND L3 ON CONTACTOR.

FOR EXTRA AUXILIARY CONTACTS- A MAXIMUM OF 3 CONTACTS MAY BE ADDED AT POSITIONS T,U,X,Y & Z

FOR CSA-GND KIT	
1/2-IN CONDUIT	55-213403G001
3/4-IN CONDUIT	55-213403G002
1-IN CONDUIT	55-213403G003
1 1/4-IN CONDUIT	55-213403G004
1 1/2-IN CONDUIT	55-213403G005
2-IN CONDUIT	55-213403G006
2 1/2-IN CONDUIT	55-213403G007



WIRING DIAGRAM
 FVNR SIZE 2, 3 & 4

THIRD ANGLE	SHEET#	DWG NO.	DATE	REV
	1 of 1	55-193914	02/21	10