

-NOMENCLATURE-  
 M-LINE CONTACTOR  
 I-INDICATING LIGHTS  
 FU-FUSE  
 X-INDICATES CONTACT CLOSED

FOR SEPARATE CONTROL SOURCE- OMIT WIRE "A"  
 AND WIRE "C". CONNECT SEPARATE CONTROL  
 SOURCE TO 9 ON COIL AND TO 1 ON PILOT  
 DEVICE. WIRES "A" AND "C" ARE OMITTED  
 AT FACTORY ON ALL CONTACTORS WITH A COIL  
 VOLTAGE OF 120V OR LESS.

USE 75°C COPPER  
 CONDUCTORS ONLY, FOR  
 FIELD WIRING. TORQUE  
 LINE AND LOAD TERMINALS  
 AS MARKED OR AS SHOWN  
 AT RIGHT:

NEMA SIZE	CONTACTOR LINE & LOAD	DISCONNECT SW LINE SIDE
2 *	50 LB-IN	50 LB-IN
3	150 LB-IN	50 LB-IN
4 **	200 LB-IN	275 LB-IN
5 ***	300 LB-IN	AS MARKED
6 ****	375 LB-IN	AS MARKED

\* INCLUDES CR3CL  
 \*\* INCLUDES CR3CM,N,P&-R  
 \*\*\* INCLUDES CR3CS  
 \*\*\*\* INCLUDES CR3CT

NOTE: REFER TO THE NATIONAL ELECTRICAL CODE.  
 ADDITIONAL CONTROL CIRCUIT OVERCURRENT  
 PROTECTION MAY BE REQUIRED.

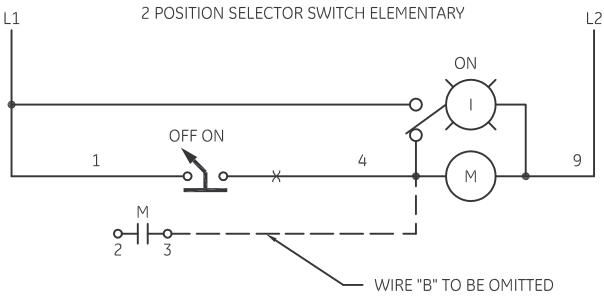
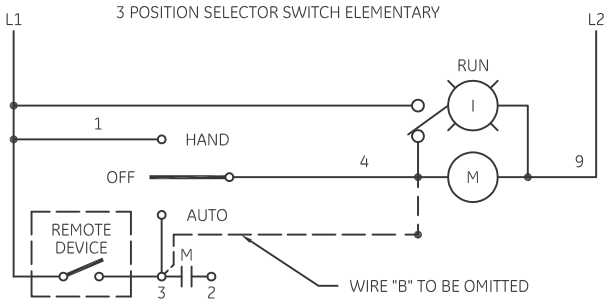
FOR 1-PHASE OPERATION-CHANGE CONNECTION  
 OF WIRE "A" FROM L2 TO L3. CONNECT  
 LINE TO L1 AND L3 AND LOAD TO T1  
 AND T3.

FOR CONTACTORS WITHOUT DISCONNECT MEANS - WIRE  
 LINE DIRECT TO L1, L2 AND L3 ON CONTACTOR

FOR EXTRA AUXILIARY CONTACTS - A MAXIMUM OF 5  
 CONTACTS MAY BE ADDED AT POSITIONS  
 T,U,W,X,Y & Z.

FOR CSA-GND KIT

1/2-IN CONDUIT	55-213403G001
3/4-IN CONDUIT	55-213403G002
1-IN CONDUIT	55-213403G003
1 1/4-IN CONDUIT	55-213403G004
1 1/2-IN CONDUIT	55-213403G005
2-IN CONDUIT	55-213403G006
2 1/2-IN CONDUIT	55-213403G007
3-IN CONDUIT	55-213403G008



WIRING DIAGRAM  
 FVNR SIZE 2, 3 & 4

AN #	THIRD ANGLE PROJECTION	SHEET #	DWG NO.	DATE	REV
09-9111		1 OF 1	55-194913	08/06/2009	7