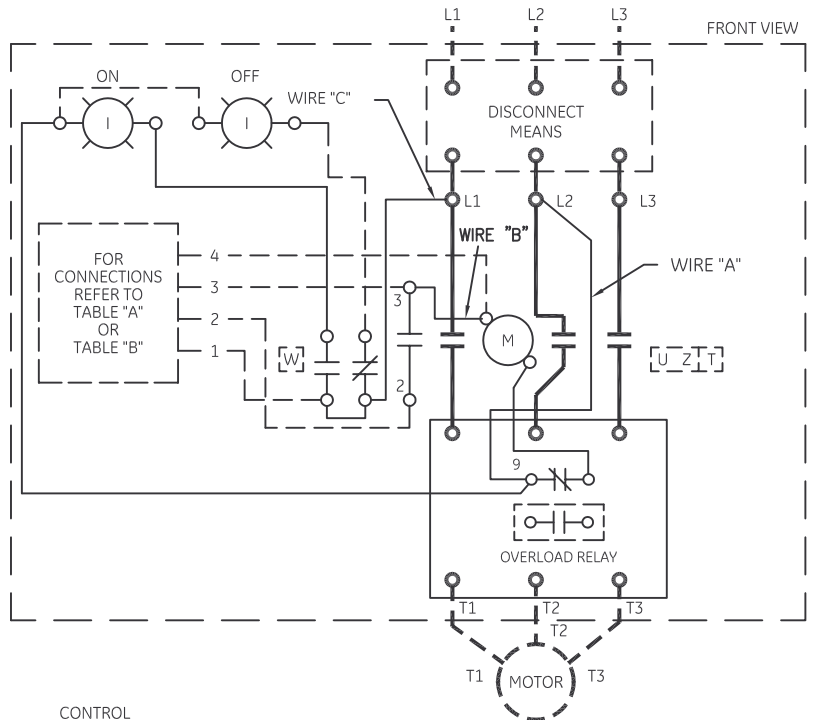
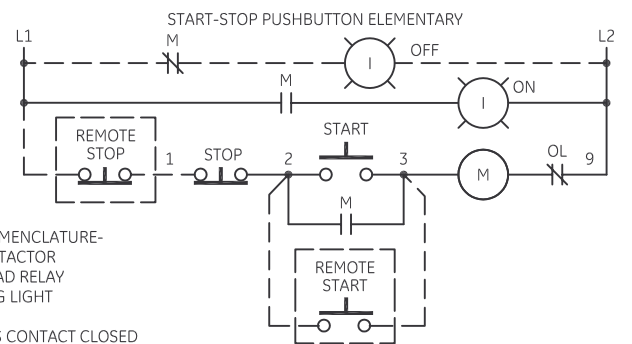
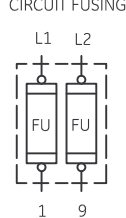


TABLE A	TABLE B
STANDARD PILOT DEVICES	OIL-TIGHT PILOT DEVICES
PUSHBUTTONS	PUSHBUTTONS
 ( OMIT WIRE "B" )	 ( OMIT WIRE "B" )
2 POSITION SELECTOR SWITCH	2 POSITION SELECTOR SWITCH
 ( OMIT WIRE "B" )	 ( OMIT WIRE "B" )
REMOTE DEVICE	REMOTE DEVICE



CONTROL CIRCUIT FUSING



-NOMENCLATURE-  
 M-LINE CONTACTOR  
 OL-OVERLOAD RELAY  
 I-INDICATING LIGHT  
 FU-FUSE  
 X-INDICATES CONTACT CLOSED

FOR 1-PHASE OPERATION USING  
 • SOLID STATE OVERLOAD RELAY  
 SEE GEH-6430(s2 1,2) OR GEH-6431 (s2 3,4)  
 • THERMAL OVERLOAD RELAY  
 CHANGE CONNECTION WIRE "A" FROM L2 TO L3.  
 CONNECT LINE TO L1 AND L3 AND LOAD TO T1 AND T3.

TORQUE LINE AND LOAD TERMINALS AS SHOWN AT RIGHT	LINE	LOAD
CR306	20 LB-IN	20 LB-IN
CR307	AS MARKED	20 LB-IN
CR308	35 LB-IN	20 LB-IN
CR387	AS MARKED	20 LB-IN

FOR SEPARATE CONTROL SOURCE - OMIT WIRES "A" & "C" AND CONNECT SEPARATE CONTROL SOURCE TO N/C CONTACT ON OL AND TO 1 ON PILOT DEVICE. WIRES "A" & "C" ARE OMITTED AT FACTORY ON ALL STARTERS WITH A COIL VOLTAGE OF 120V OR LESS.

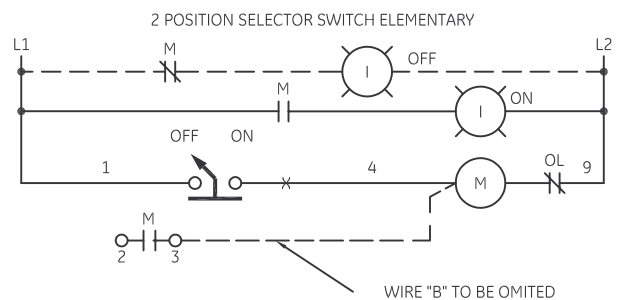
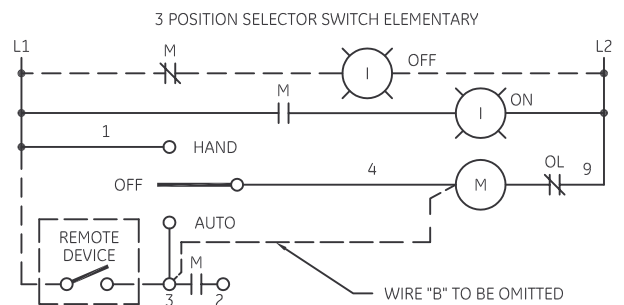
NOTE: ADDITIONAL OVER-CURRENT PROTECTION MAY BE REQUIRED. REFER TO THE NATIONAL ELECTRICAL CODE OR LOCAL ELECTRICAL CODE AS REQUIRED.

FOR STARTER WITHOUT DISCONNECT MEANS - WIRE LINE DIRECT TO L1, L2 AND L3 ON STARTER.

FOR EXTRA AUXILIARY CONTACTS- A MAXIMUM OF 2 CONTACTS MAY BE ADDED AT POSITIONS T,U,W,&Z FOR SIZE 0 & 1 ONLY.

GROUND KIT

1/2-IN CONDUIT	55-213403G001
3/4-IN CONDUIT	55-213403G002
1-IN CONDUIT	55-213403G003
1 1/4-IN CONDUIT	55-213403G004
1 1/2-IN CONDUIT	55-213403G005
2-IN CONDUIT	55-213403G006
2 1/2-IN CONDUIT	55-213403G007
3-IN CONDUIT	55-213403G008



imagination at work

WIRING DIAGRAM  
 FVNR SIZE 00, 0 & 1

AN #	THIRD ANGLE PROJECTION	SHEET #
09-9111		1 OF 1

DWG NO.	DATE	REV
55-196144	08/06/2009	5