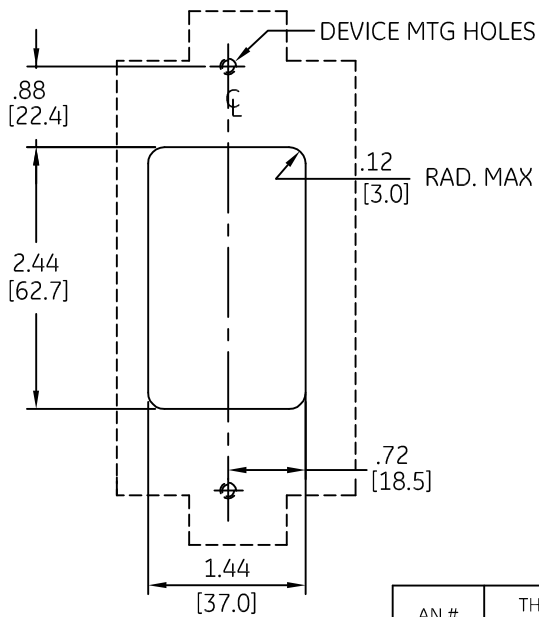
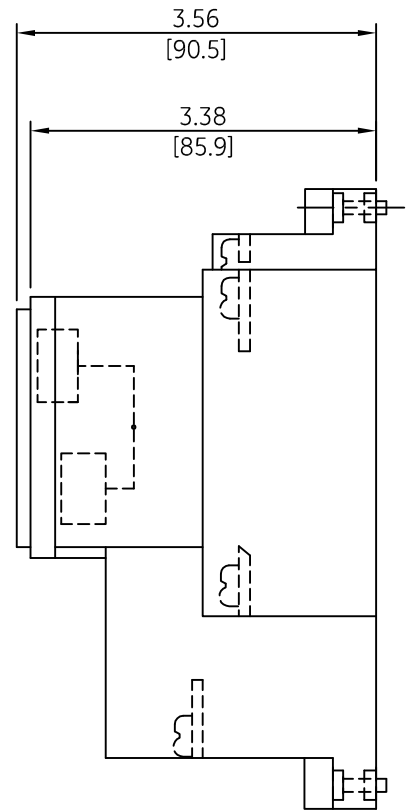
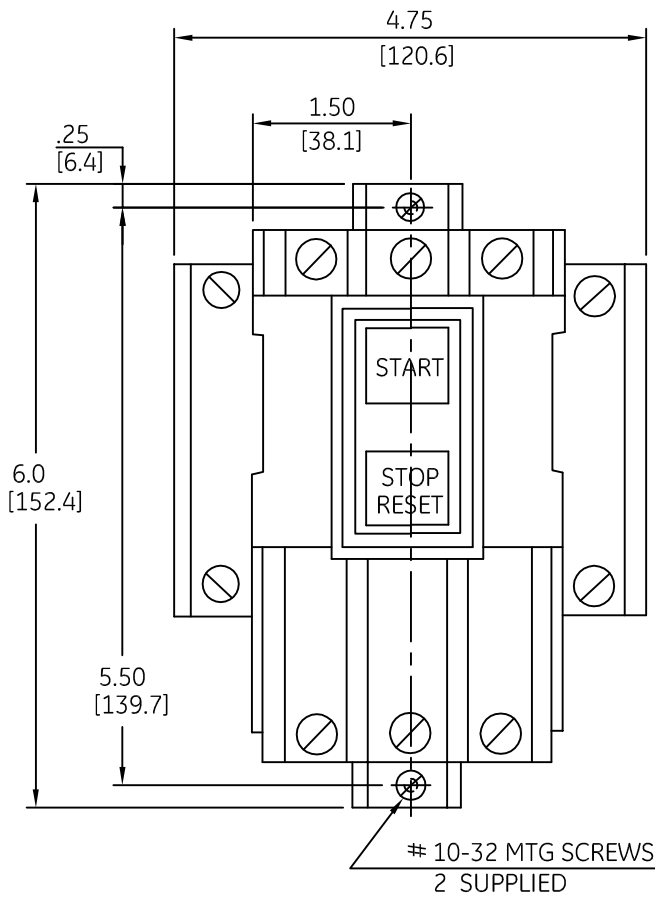


DUAL DIMENSIONS INCHES [MILLIMETERS] (ESTIMATING ONLY)



COVER DETAIL

AN #	THIRD ANGLE PROJECTION	SHEET #
09-9107		1 OF 1

imagination at work		
OUTLINE CR1062 SIZE R&S OPEN		
DWG NO.	DATE	REV
55-196419	08/11/2009	2