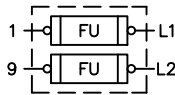


TABLE A STANDARD PILOT DEVICES	TABLE B OIL-TIGHT PILOT DEVICES
START-STOP 	START-STOP
PUSHBUTTONS OFF ON 	PUSHBUTTONS OFF ON
(OMIT WIRE "B")	(OMIT WIRE "B")
2 POSITION SELECTOR SWITCH HAND OFF 	2 POSITION SELECTOR SWITCH HAND OFF AUTO
(OMIT WIRE "B")	(OMIT WIRE "B")
REMOTE DEVICE 	REMOTE DEVICE
3 POSITION SELECTOR SWITCH 	3 POSITION SELECTOR SWITCH

USE 75°C COPPER CONDUCTORS ONLY,
FOR FIELD WIRING.

-NOMENCLATURE-
M-LINE CONTACTOR
I-INDICATING LIGHT
FU-FUSE
X-INDICATES CONTACT CLOSED

CONTROL
CIRCUIT FUSING



TORQUE LINE AND LOAD TERMINALS AS SHOWN AT RIGHT	CR305 CR307 CR308 CR387	20 LB-IN AS MARKED 35 LB-IN AS MARKED	20 LB-IN 20 LB-IN 20 LB-IN 20 LB-IN
-----------------------------------------------------------	----------------------------------	------------------------------------------------	----------------------------------------------

NOTE: REFER TO THE NATIONAL ELECTRICAL CODE.
ADDITIONAL CONTROL CIRCUIT OVER-
CURRENT PROTECTION MAY BE REQUIRED.

FOR 1-PHASE OPERATION - CHANGE CONNECTION
OF WIRE "A" FROM L2 TO L3. CONNECT
LINE TO L1 AND L3 AND LOAD TO T1
AND T3.

FOR CONTACTOR WITHOUT DISCONNECT MEANS - WIRE
LINE DIRECT TO L1, L2 AND L3 ON CONTACTOR.

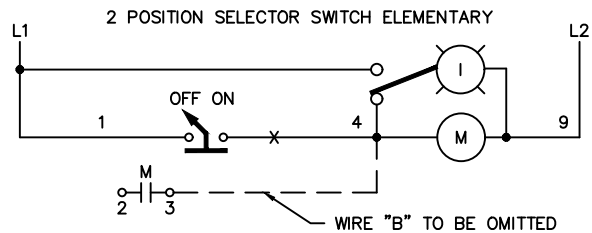
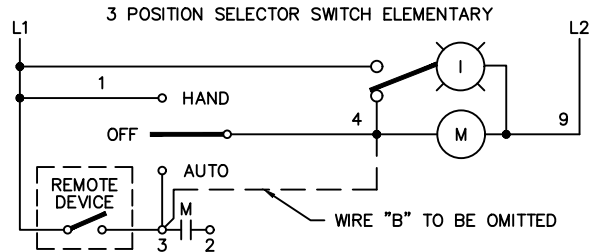
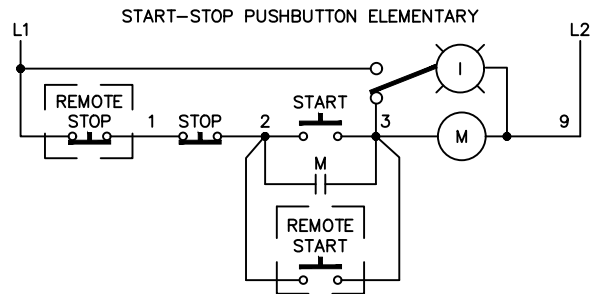
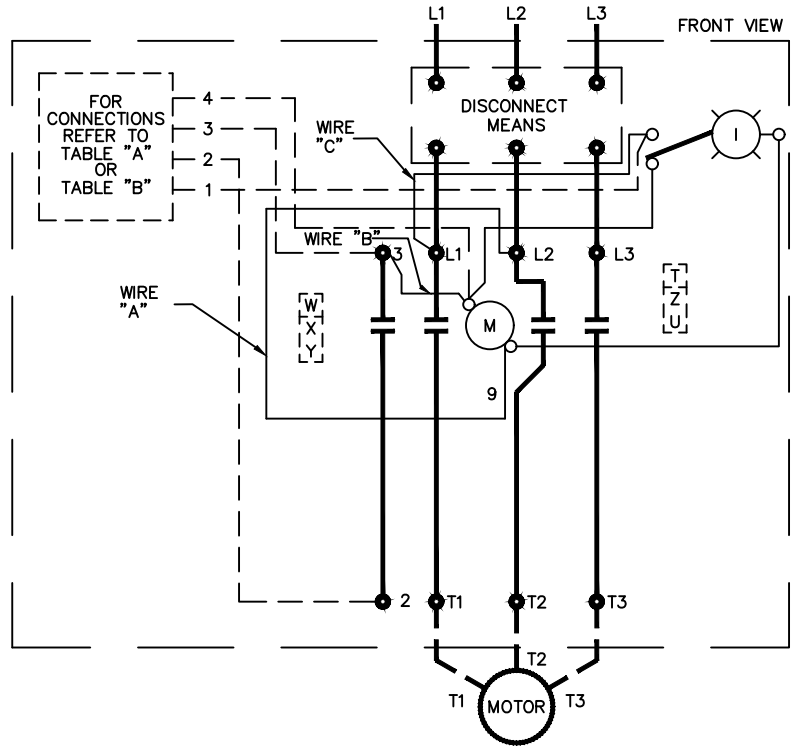
FOR EXTRA AUXILIARY CONTACTS- A MAXIMUM OF 4
CONTACTS MAY BE ADDED AT POSITIONS
T,U,W,X,Y & Z FOR SIZE 0 & 1 ONLY.

FOR SEPARATE CONTROL SOURCE - OMIT WIRE "A"
AND WIRE "C" CONNECT SEPARATE CONTROL
SOURCE TO 9 ON COIL AND TO 1 ON PILOT
DEVICE. WIRES "A" AND "C" ARE OMITTED
AT FACTORY ON ALL CONTACTORS WITH A COIL
VOLTAGE OF 120V OR LESS.

FOR CSA - GND KIT

1/2-IN CONDUIT
3/4-IN CONDUIT

55-213403G001
55-213403G002



ABB

WIRING DIAGRAM
FVNR SIZE 00, 0 & 1

THIRD ANGLE	SHEET#	DWG NO.	DATE	REV
	1 of 1	55-196611	02/21	05